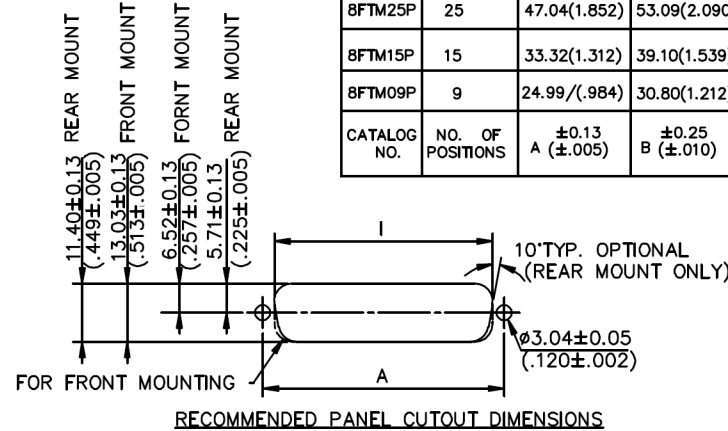
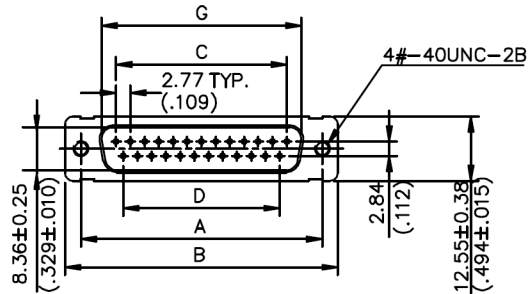


**SPECIFICATION :**  
 .CURRENT RATING : 1 AMP.  
 .INSULATOR RESISTANCE : 1000 MΩ MIN. (AT 500 V DC)  
 .DIELECTRIC WITHSTANDING VOLTAGE : AC 500 V MIN. (FOR 1 MINUTE)  
 .OPERATING TEMPERATURE : -55°C TO 105°C  
 .CONTACT RESISTANCE : 15mΩ MAX.  
 .INSULATOR MATERIAL : PBT WITH GLASS-FIBER REINFORCED UL 94V-0  
 .CONTACT MATERIAL : BRASS  
 .CONTACT PLATING : GOLD OVER NICKEL  
 .WIRE SIZE : AWG 26 & 28 STRANDED , 1.27mm CONDUCTOR CENTRE FLAT CABLE

8FTM37P	37	63.50(2.500)	69.40(2.732)	49.86/(1.963)	47.09/(1.854)	54.60/(2.150)	57.10/(2.248)
8FTM25P	25	47.04(1.852)	53.09(2.090)	33.24/(1.309)	30.47/(1.200)	38.14/(1.502)	40.90/(1.610)
8FTM15P	15	33.32(1.312)	39.10(1.539)	19.39/(.763)	16.62/(.654)	24.00/(.945)	26.60/(1.047)
8FTM09P	9	24.99/(.984)	30.80(1.212)	11.08/(.436)	8.31/(.327)	16.10/(.634)	18.60/(.732)
CATALOG NO.	NO. OF POSITIONS	A ±0.13 (±.005)	B ±0.25 (±.010)	C ±0.13 (±.005)	D ±0.13 (±.005)	E ±0.25 (±.010)	F ±0.25 (±.010)



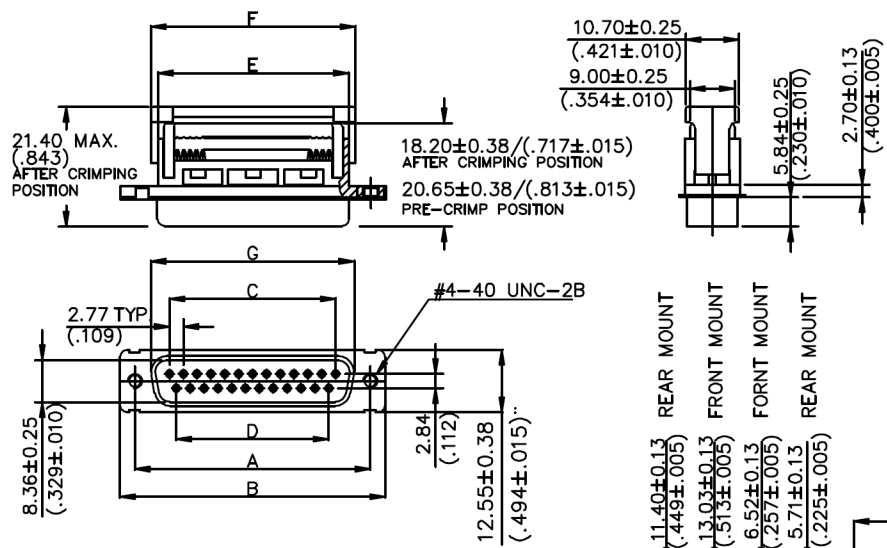
55.45/(2.183)	59.08/(2.326)	60.73/(2.391)
38.96/(1.534)	42.52/(1.674)	44.27/(1.743)
25.25/(.994)	28.80/(1.134)	30.53/(1.202)
16.92/(.666)	20.47/(.806)	22.20/(.874)
G ±0.25 (±.010)	I ±0.13/(.005) REAR MOUNTING	I ±0.13/(.005) FRONT MOUNTING

8F (1) TM (2) 25 (3) P (4) - 3 (5) 0 (6) N (7) 1 (8) - C (9)

- SERIES  
.8F D-SUB I.D.C. CONNECTOR
- HOUSING CONSTRUCTION TYPES  
.TM - WITH 4#-40 UNC THREADED INSERT (WITH METAL SHELL)
- NUMBER OF CONTACTS  
.09 - 9 POSITIONS  
.15 - 15 POSITIONS  
.25 - 25 POSITIONS  
.37 - 37 POSITIONS
- CONTACT TYPE  
.P - PLUG (MALE)  
.S - SOCKET (FEMALE)
- COLOR CODES  
.1 - BLUE .M-DARK GREEN  
.2 - GRAY .N-DARK RED  
.3 - BLACK .P-ORANGE
- CONTACT FINISH  
.0 - SELECTED GOLD FLASH OVER 30μ" NICKEL  
.2 - 15μ" SELECTED GOLD OVER 50μ" NICKEL  
.3 - 30μ" SELECTED GOLD OVER 50μ" NICKEL
- STRAIN RELIEF  
.N - WITHOUT STRAIN RELIEF  
.S - STAINLESS STEEL STRAIN RELIEF  
.P - PLASTIC STRAIN RELIEF
- METAL SHELL FINISH  
.0 - WITHOUT METAL SHELL (ALL PLASTIC TYPE)  
.1 - TIN PLATED SHELL (WITH GROUNDING INDENTS)  
.2 - YELLOW CHROMATE OVER ZINC SHELL (WITHOUT GROUNDING INDENTS)  
.3 - YELLOW CHROMATE OVER ZINC SHELL (WITH GROUNDING INDENTS)  
.4 - TIN PLATED SHELL (WITHOUT GROUNDING INDENTS)
- CUSTOMER  
.C - INLAND  
.NONE- FOR OVERSEA CUSTOMER

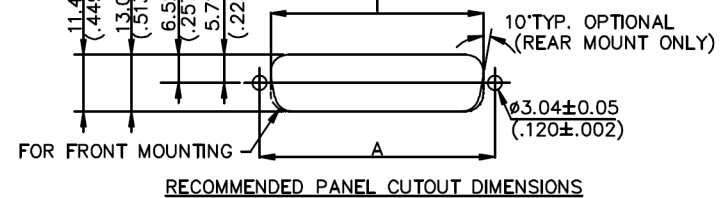
		TOLERANCE UNSPECIFIED		PART NO.	
		.000 ±	.00 ±0.25	the vital component	
		.0 ±	ANGLE ±1°	SCALE 1:1	UNIT MM
		DRAWN 陳朱冠 1/09'90	NAME	SHEET 1/1	
		DESIGNER	8FTMXXP SERIES IDC D-SUB MALE CONNECTOR WITH METAL SHELL (E-00232)		REV. 7
		CHECKED Peter 7/19'01	DRAWING NO. R-S108F-7		
		APPROVED James7/19'01	R-S108F-7		REV. 7
		A3 RS108F71			

1 2 3 4 5 6 7 8



**SPECIFICATION :**  
 .CURRENT RATING : 1 AMP.  
 .INSULATOR RESISTANCE : 1000 MΩ MIN. (AT 500 V DC)  
 .DIELECTRIC WITHSTANDING VOLTAGE : AC 500 V MIN. (FOR 1 MINUTE)  
 .OPERATING TEMPERATURE : -55°C TO 105°C  
 .CONTACT RESISTANCE : 15 mΩ MAX.  
 .INSULATOR MATERIAL : PBT WITH GLASS-FIBER REINFORCED UL 94V-0  
 .CONTACT MATERIAL : PHOSPHOR BRONZE  
 .CONTACT PLATING : GOLD OVER NICKEL  
 .WIRE SIZE : AWG 26 & 28 STRANDED , 1.27mm CONDUCTOR CENTRE FLAT CABLE

8FTM37S	37	63.50(2.500)	69.40(2.732)	49.86/(1.963)	47.09/(1.854)	64.60/(2.150)	57.10/(2.248)
8FTM25S	25	47.04(1.852)	53.09(2.090)	33.24/(1.309)	30.47/(1.200)	38.14/(1.502)	40.90/(1.610)
8FTM15S	15	33.32(1.312)	39.10(1.539)	19.39/(.763)	16.62/(.654)	24.00/(.945)	26.60/(1.047)
8FTM09S	9	24.99/(.984)	30.80(1.212)	11.08/(.436)	8.31/(.327)	16.10/(.634)	18.60/(.732)
CATALOG NO.	NO. OF POSITIONS	±0.13 A (±.005)	±0.25 B (±.010)	±0.13 C (±.005)	±0.13 D (±.005)	±0.25 E (±.010)	±0.25 F (±.010)



54.84/(2.159)	59.08/(2.326)	60.73/(2.391)
38.38/(1.511)	42.52/(1.674)	44.27/(1.743)
24.66/(.971)	28.80/(1.134)	30.53/(1.202)
16.33/(.643)	20.47/(.806)	22.20/(.874)
±0.25 C (±.010)	±0.13/(.005) REAR MOUNTING	±0.13/(.005) FRONT MOUNTING

8F (1) TM (2) 25 (3) S (4) - \* (5) \* (6) \* (7) 4 (8)

- SERIES  
 .8F D-SUB I.D.C. CONNECTOR
- HOUSING CONSTRUCTION TYPES  
 .TM - WITH #4-40 UNC THREADED INSERT (WITH METAL SHELL)
- NUMBER OF CONTACTS  
 .09 - 9 POSITIONS  
 .15 - 15 POSITIONS  
 .25 - 25 POSITIONS  
 .37 - 37 POSITIONS
- CONTACT TYPE  
 .S - SOCKET (FEMALE)
- COLOR CODES  
 .1 - BLUE  
 .2 - GRAY  
 .3 - BLACK
- CONTACT FINISH  
 .0 - SELECTED GOLD FLASH OVER 30u" NICKEL  
 .2 - 15u" SELECTED GOLD OVER 50u" NICKEL  
 .3 - 30u" SELECTED GOLD OVER 50u" NICKEL
- STRAIN RELIEF  
 .N - WITHOUT STRAIN RELIEF  
 .S - STAINLESS STEEL STRAIN RELIEF  
 .P - PLASTIC STRAIN RELIEF

- METAL SHELL FINISH  
 .4 - TIN PLATED SHELL (WITHOUT GROUNDING INDENTS)

	TOLERANCE UNSPECIFIED .000 ± .00 ± 0.25 .0 ± ANGLE ± 1°	the vital component	
		NAME 8FTMXX SERIES IDC D-SUB FEMALE CONNECTOR METAL SHELL (E-00521)	SHEET 1/1
DESIGNER CHECKED Peter 7/19'01 APPROVED James 7/19'01	SCALE 1 : 1	DRAWING NO R-S108F-F	REV 4

1 2 3 4 5 6 7 8