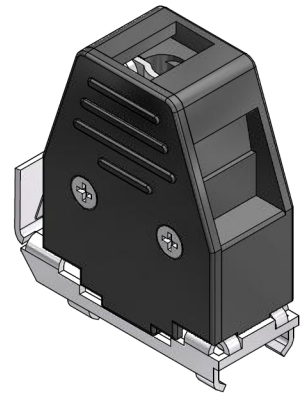
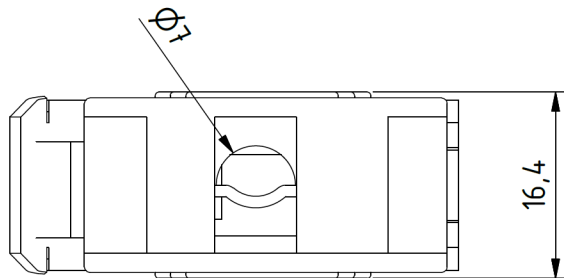
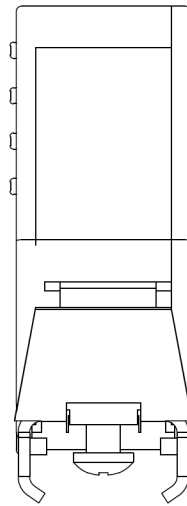
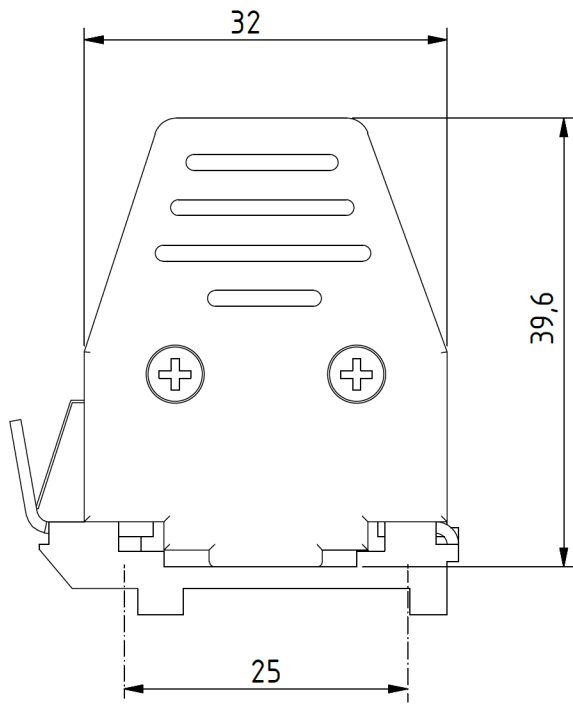


RoHS compliant



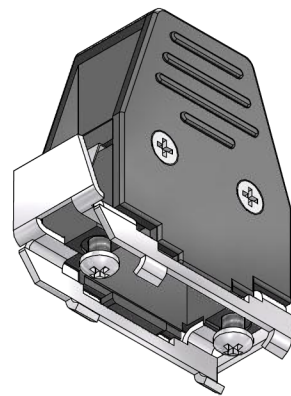
**MATERIALS**

- Hood: thermoplastic black
- Slide-lock: steel nickel plated

**CHARACTERISTICS**

- Temperature range: -40°C to +85°C
- Housing screw: self cutting
- Straight and side cable outlet
- With metal strain relief
- With slide lock

- Set packed in bag



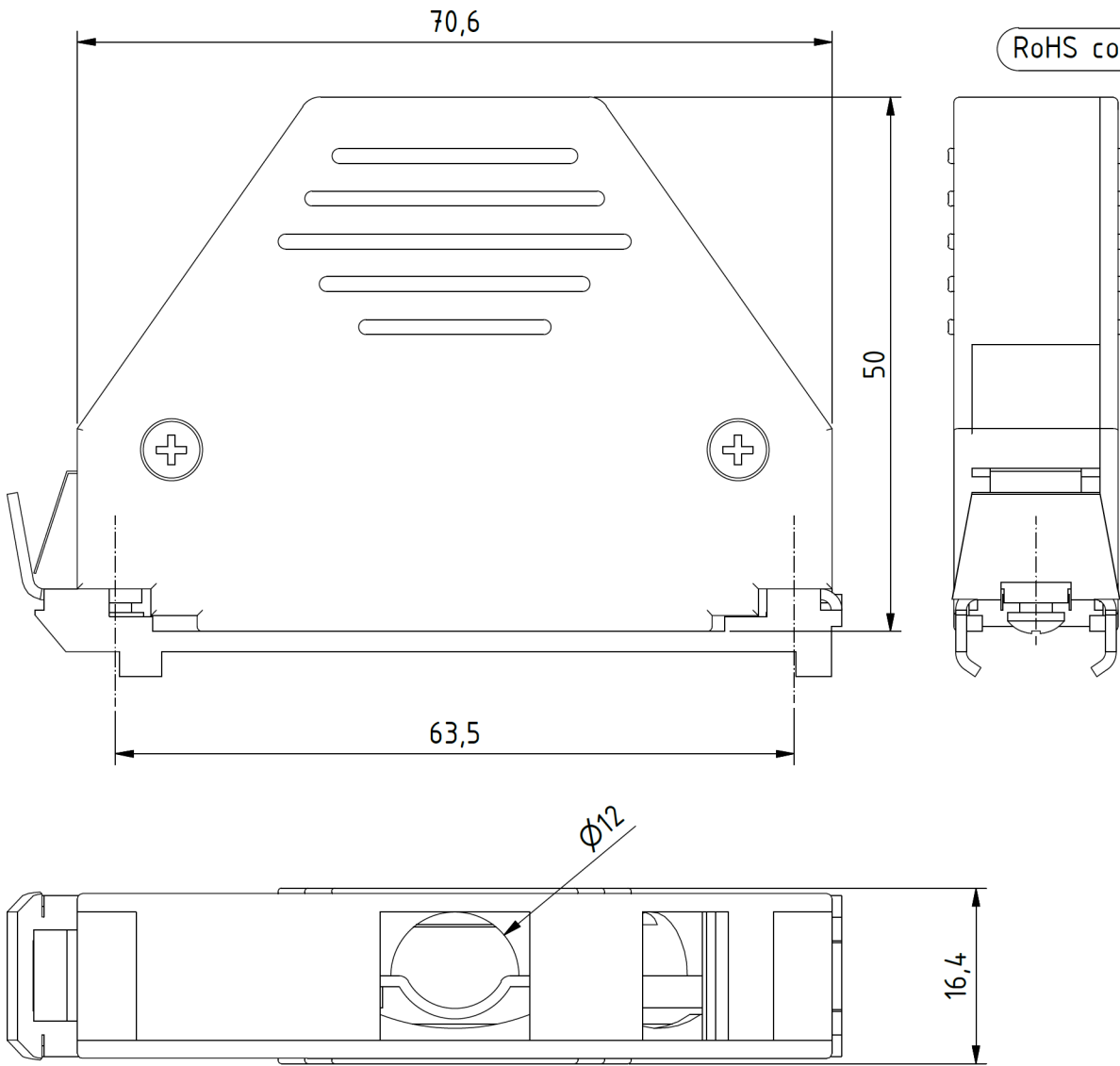
General tolerances (Delttron standard)			
size in mm		tolerances	
> 0.5	> 3	> 6	> 30
up to 3	up to 6	up to 30	up to 120
±0.1	±0.2	±0.2	±0.3

modification	Rev.	Rev.	Rev.	DCE09	part no.	drawn	14.05.2014	mw
	Rev.	Rev.	Rev.					
DCE09				scale	checked			
					approved			

the **vital** component



RoHS compliant



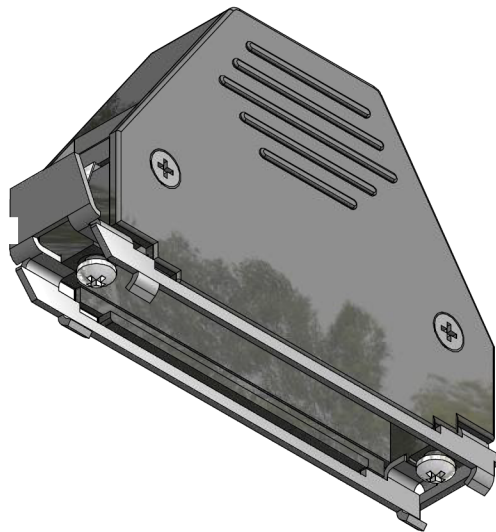
**MATERIALS**

- Hood: thermoplastic black
- Slide-lock: steel nickel plated

**CHARACTERISTICS**

- Temperature range: -40°C to +85°C
- Housing screw: self cutting
- Straight and side cable outlet
- With metal strain relief
- With slide-lock

-Set packed in bag



General tolerances (Delttron standard)			
size in mm			
> 0,5	> 3	> 6	> 30
up to 3	up to 6	up to 30	up to 120
tolerances			
±0,1	±0,2	±0,2	±0,3

modification	Rev.	Rev.	Rev.	DCE37 part no.	drawn	27.01.2015	mw
	Rev.	Rev.	Rev.				
DCE37				1.5:1 scale	checked		
					approved		
the <b>vital</b> component							