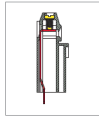
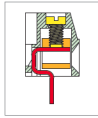


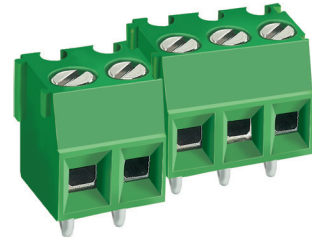
MB332 PCB Terminal Block, Single Mold /Modular



MB332-381C



MB332-381M

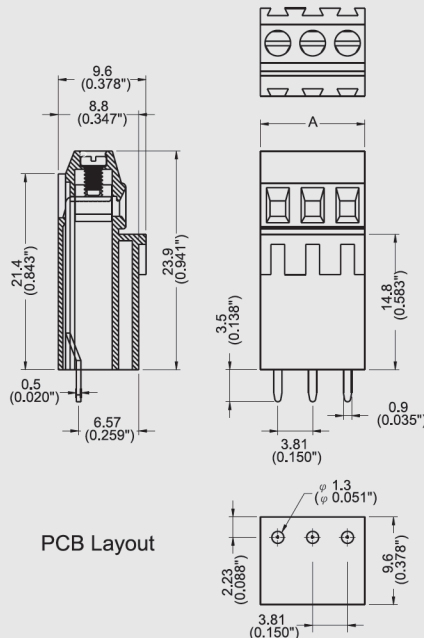


DIMENSIONS/POSITIONS

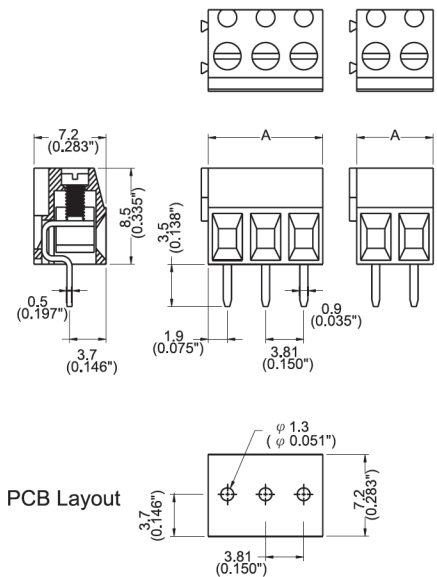
	MB332-381C	MB332-381M
Pitch	3.81mm	3.81mm
Poles	2 ~ 16Poles	2 ~ 3Poles
Dimension A	3.81mm	3.81mm
Length	A=3.81xP(P≥2)	A= 3.81xP(P≥2)
Housing Material	PA 66	PA 66
Cage Clamp	Brass, Ni Plated	Brass, Ni Plated
Contact	Brass, Tin Plated	Brass, Tin Plated
Screw Thread	M2.0, Steel, Zinc Plated	M2.0, Steel, Zinc Plated
Wire Size	16 ~ 26AWG	16 ~ 26AWG
PCB Hole Diameter	1.3mm	1.3mm
Tightening Torque, Max.	2.0 Lb-in	3.0 Lb-in
Operating Temperature	-40°C to +105°C	-40°C to +105°C

TECHNICAL DATA

Connection in acc. with standard EN-VDE		
Nominal Current I _N	10A	8A
Nominal Cross Section	1.5mm ²	1.5mm ²
Maximum load current	10A	8A
Insulating Material	PA	PA
Inflammability class acc. to UL94	V0	V0
Nominal voltage, UL/CUL	300V	300V
Nominal current, UL/CUL	10A	8A



Note:
 Screw Plating: Changes are available upon request



Note:
 Screw Plating: Changes are available upon request