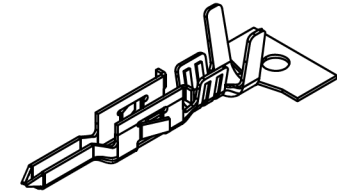
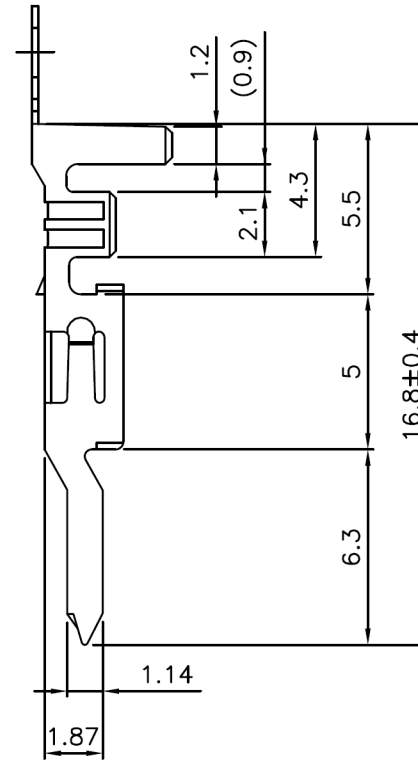
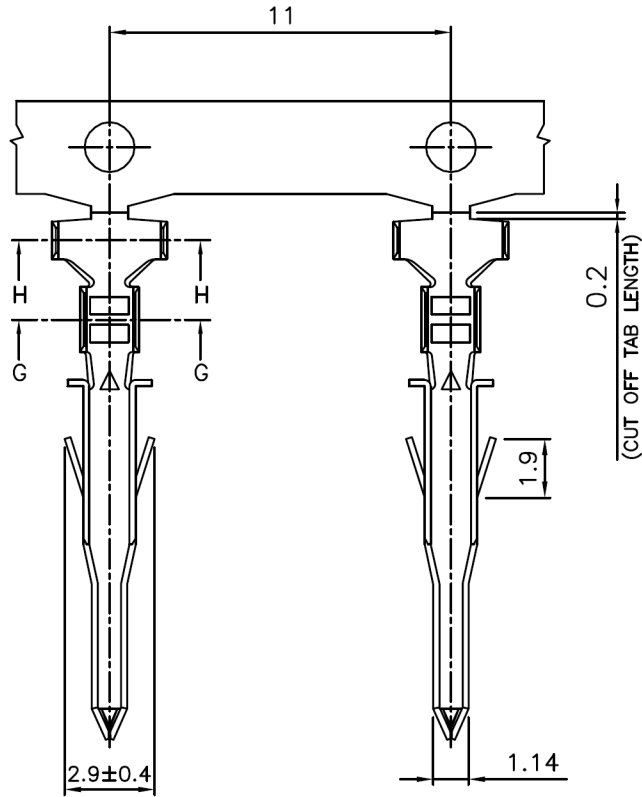




REV	DESCRIPTION	DATE



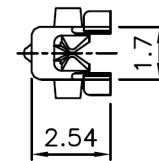
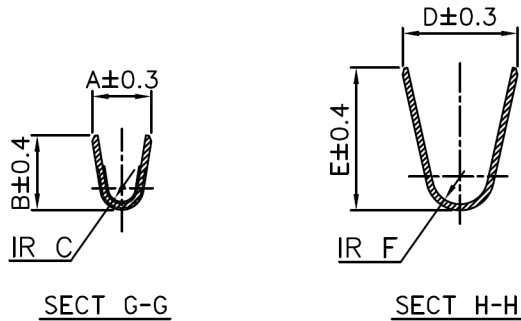
NOTES

Used in 5800-H Housing
 Material : Brass or Phosphor Bronze
 Finish : See Dimensions List
 Thickness: 0.2mm

ORDERING INFORMATION

5800 - T T
 1

- 1. PLATED & METHOD
 T : Tin , Post-Plated



TOLERANCE	
X.	--
X.X	±0.30
X.XX	±0.25
X.XXX	±0.20
ANGULAR	--

the **vital** component

TITLE
 4.20mm(.165") Pitch
 Power Connector Terminal

APPROVALS		VIEW	SCALE	PART NO.	REV.
DRAWN	Denise		F	5800-TT	A1
CHECKED	Kang				
APPROVED	Jessica	UNIT	SIZE	DWG NO.	SHEET
		MM	A4	5800-TT	1

