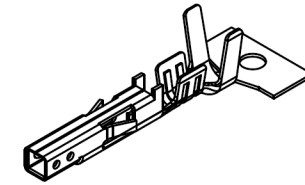
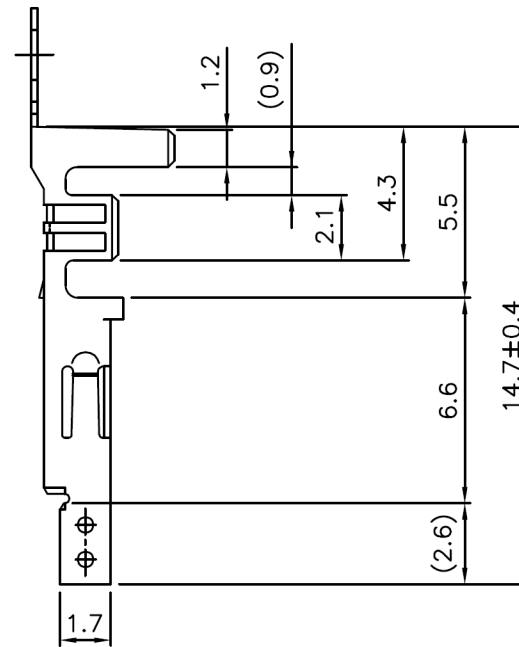
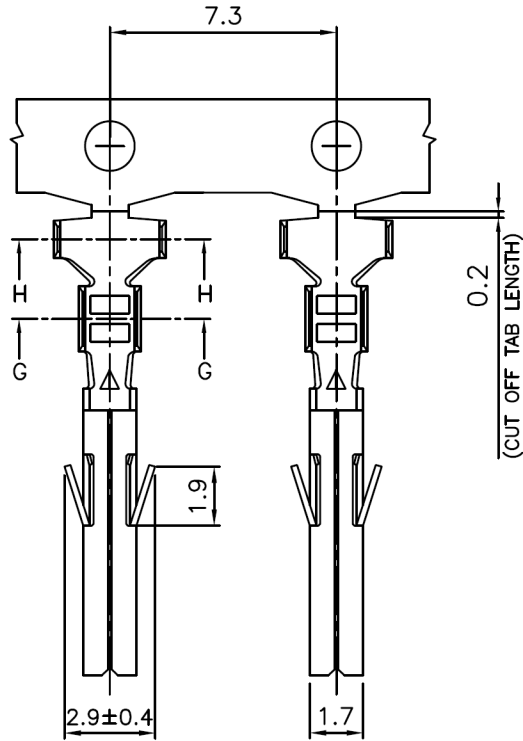




REV	DESCRIPTION	DATE
A2	ECN-20138300001	2013.08.30



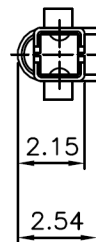
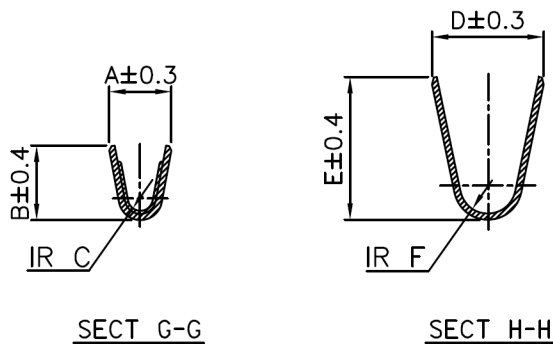
NOTES

Used in 5700-H Housing
 Material : Brass or Phosphor Bronze
 Finish : See Dimensions List
 Thickness: 0.2mm

ORDERING INFORMATION

5700 - T T
 1

- 1. PLATED & METHOD
 T : Tin , Pre-tinned



TOLERANCE	
X.	--
X.X	±0.30
X.XX	±0.25
X.XXX	±0.20
ANGULAR	--

the **vital** component

TITLE
 4.20mm(.165") Pitch
 Power Connector Terminal

APPROVALS		VIEW	SCALE	PART NO.	REV.
DRAWN	Kang		F	5700-TT	A2
CHECKED	Denise				
APPROVED	Jessica	UNIT	SIZE	DWG NO.	SHEET
		MM	A4	5700-TT	1