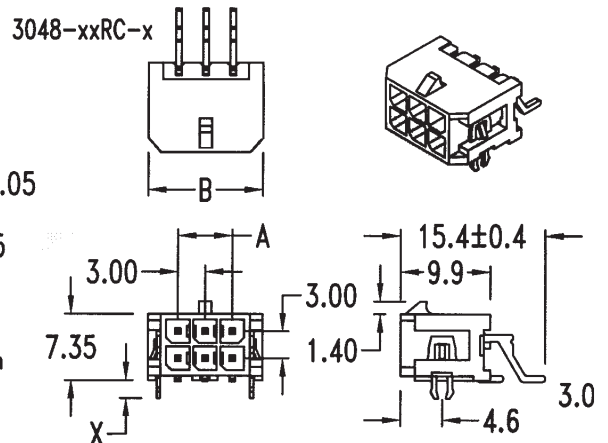
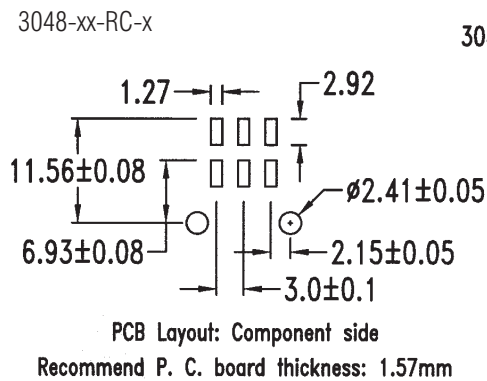
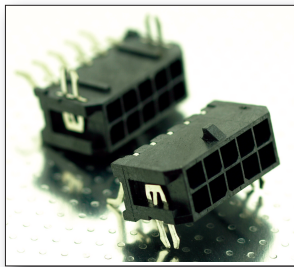
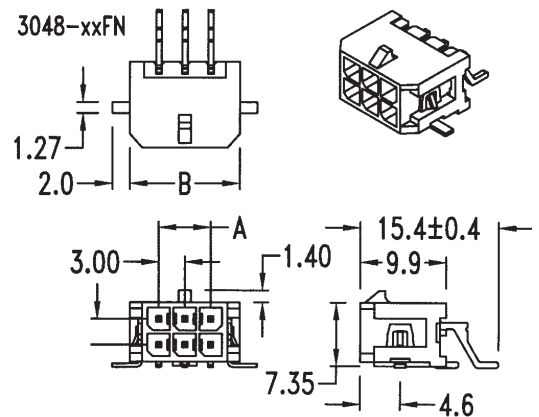
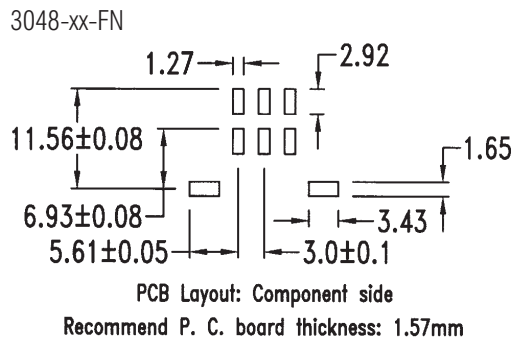
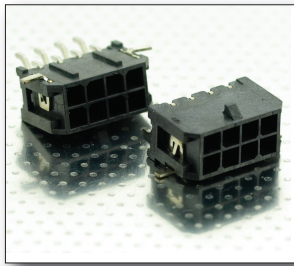


## 3.00mm Pitch Dual Row Micro-Power Type SMT Right Angle PCB Sockets 3048-xx-yy-y Series

Dual row surface mount types ~ 02 to 24 (2x12) positions  
Available with PCB retention clips (3048-xx-RC-x) or solder tabs (3048-xx-FN)  
Mates with Valcon 3025 series housings



### Ordering Information for

**3048- xx - yy-y**  
1 2

**Option 1(xx)** Number of contacts (in total)

02(1x2), 04(2x2), 06(2x3), 08(2x4), 10(2x5), 12(2x6),  
14(2x7), 16(2x8), 18(2x9), 20(2x10), 22(2x11), 24(2x12)

*Please note - some sizes may be subject to MOQ*

**Option 2(yy-y)** PCB mounting type  
FN = Solder tab type (standard)  
(Dimension X)  
RC-1 = Retaining clip (2mm)  
RC-2 = Retaining clip (3.2mm)

### Specification for 3048-xx-yy-y Series

Insulator Material:	Black LCP UL94V (UL E41938)
Contact & Tab Material:	Brass
Contact & Tab Plating:	Tin
Current Rating:	5 Amps(20 & 22awg), 4 Amps(24awg)
(vs Wire Size - awg)	3 Amps(26awg), 2 Amps(22awg), 1Amp (30awg)
Rated Voltage:	250V AC(rms) or DC
DWV:	1500V AC for 1 minute
Contact Resistance:	10mΩ Max.
Operating Temperature:	-25°C to +85°C
Tolerance:	±0.25mm
Glow-Wire Flammability:	(GWFI) IEC 60695-2-12
Glow-Wire Ignition:	(GWIT) IEC 60695-2-13

*Mates with Valcon 3025 Series housings*