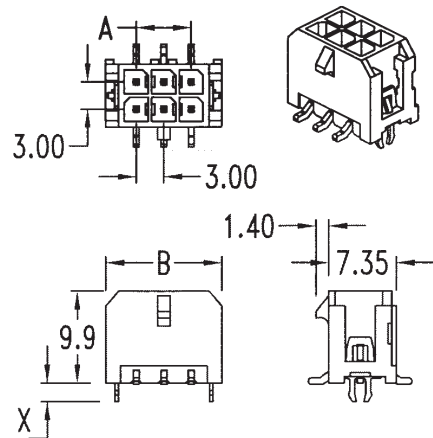
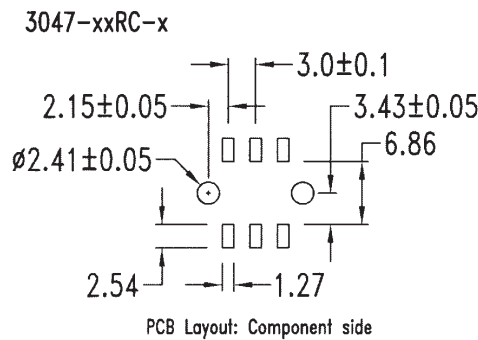
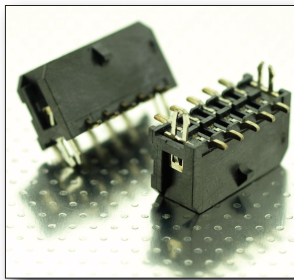
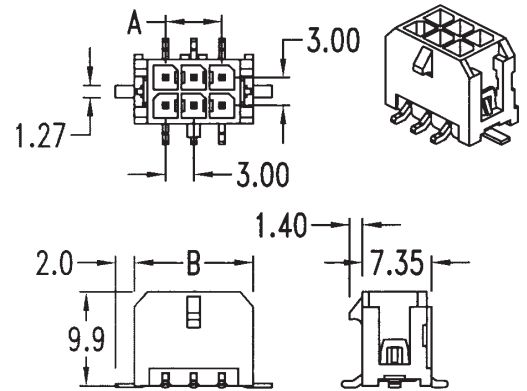
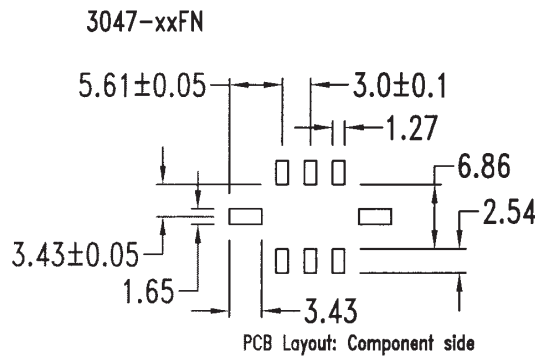
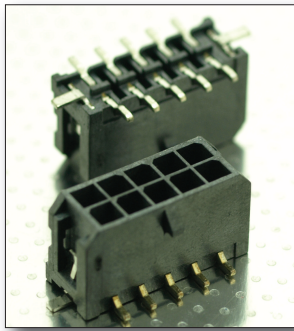


3.00mm Pitch Dual Row Micro-Power Type SMT Vertical Mount PCB Sockets 3047-xx-yy-y Series

Dual row surface mount types ~ 02 to 24 (2x12) positions
Available with PCB retention clips (3047-xx-RC-x) or solder tabs (3047-xx-FN)
Mates with Valcon 3025 series housings



Circuits	Dim. A	Dim. B	Circuits	Dim. A	Dim. B	Circuits	Dim. A	Dim. B	Circuits	Dim. A	Dim. B	Circuits	Dim. A	Dim. B	Circuits	Dim. A	Dim. B
2		6.65	6	6.0	12.65	10	12.0	18.65	14	18.0	24.65	18	24.0	30.65	22	30.0	36.65
4	3.0	9.65	8	9.0	15.65	12	15.0	21.65	16	21.0	27.65	20	27.0	33.65	24	33.0	39.65

Ordering Information for

3047- xx - yy-y

1 2

Option 1(xx) Number of contacts (in total)

02(1x2),04(2x2),06(2x3),08(2x4),10(2x5),12(2x6),
14(2x7),16(2x8),18(2x9),20(2x10),22(2x11),24(2x12)

Please note - some sizes may be subject to MOQ

Option 2(yy-y) PCB mounting type
FN = Solder tab type (standard)
(Dimension X)
RC-1 = Retaining clip (2mm)
RC-2 = Retaining clip (3.2mm)

Specification for 3047-xx-yy-y Series

Insulator Material:	Black LCP UL94V (UL E41938)
Contact & Tab Material:	Brass
Contact & Tab Plating:	Tin
Current Rating:	5 Amps(20 & 22awg), 4 Amps(24awg)
(vs Wire Size - awg)	3 Amps(26awg), 2 Amps(22awg), 1Amp (30awg)
Rated Voltage:	250V AC(rms) or DC
DWV:	1500V AC for 1 minute
Contact Resistance:	10mΩ Max.
Operating Temperature:	-25°C to +85°C
Tolerance:	±0.25mm
Glow-Wire Flammability:	(GWFI) IEC 60695-2-12
Glow-Wire Ignition:	(GWIT) IEC 60695-2-13

Mates with Valcon 3025 Series housings