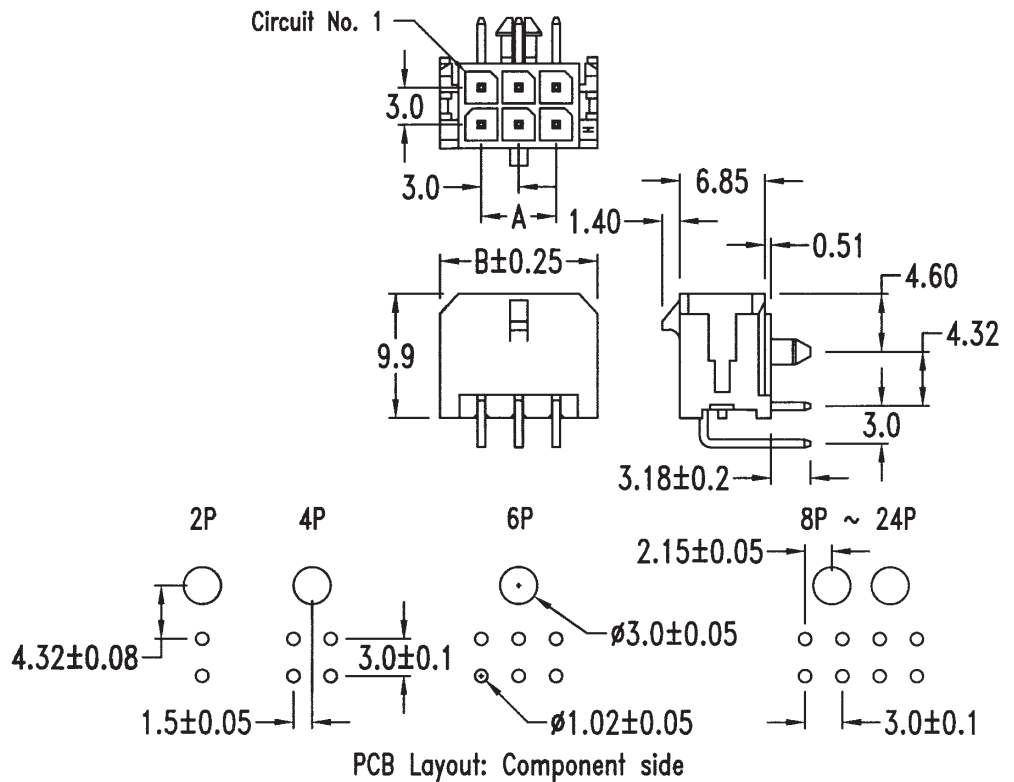
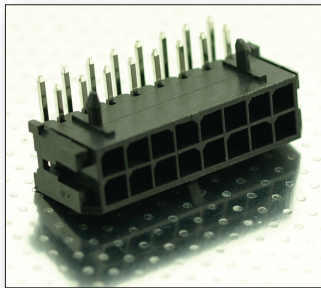


### 3.00mm Pitch Dual Row Micro-Power Type Through Board Right Angle PCB Receptacles 3046-xx Series

Dual row through board PCB types ~ 02 to 24 (2x12) positions - with PCB retention clip  
UL File number E114003  
Mates with Valcon 3025 series housings (with crimp)



Circuits	Dim. A	Dim. B	Circuits	Dim. A	Dim. B	Circuits	Dim. A	Dim. B	Circuits	Dim. A	Dim. B	Circuits	Dim. A	Dim. B	Circuits	Dim. A	Dim. B
2		6.65	6	6.0	12.65	10	12.0	18.65	14	18.0	24.65	18	24.0	30.65	22	30.0	36.65
4	3.0	9.65	8	9.0	15.65	12	15.0	21.65	16	21.0	27.65	20	27.0	33.65	24	33.0	39.65

#### Ordering Information for

3046-xx  
1

Option 1(xx) Number of contacts (in total)  
 02(1x2), 04(2x2), 06(2x3),  
 08(2x4), 10(2x5), 12(2x6),  
 14(2x7), 16(2x8), 18(2x9),  
 20(2x10), 22(2x11), 24(2x12)  
 Please note - some sizes may be subject to MOQ

#### Specification for 3046-xx Series

Insulator Material:	Black Nylon 6T
Contact Material:	Brass (square pin 0.624mm)
Contact Plating:	Tin
Current Rating:	5 Amps(20 & 22awg), 4 Amps(24awg)
(vs Wire Size - awg)	3 Amps(26awg), 2 Amps(22awg), 1Amp (30awg)
Rated Voltage:	250V AC(rms) or DC
DWV:	1500V AC for 1 minute
Contact Resistance:	10mΩ Max.
Operating Temperature:	-25°C to +85°C
Tolerance:	±0.25mm
Glow-Wire Flammability:	(GWFI) IEC 60695-2-12
Glow-Wire Ignition:	(GWIT) IEC 60695-2-13

Mates with Valcon 3025 Series housings