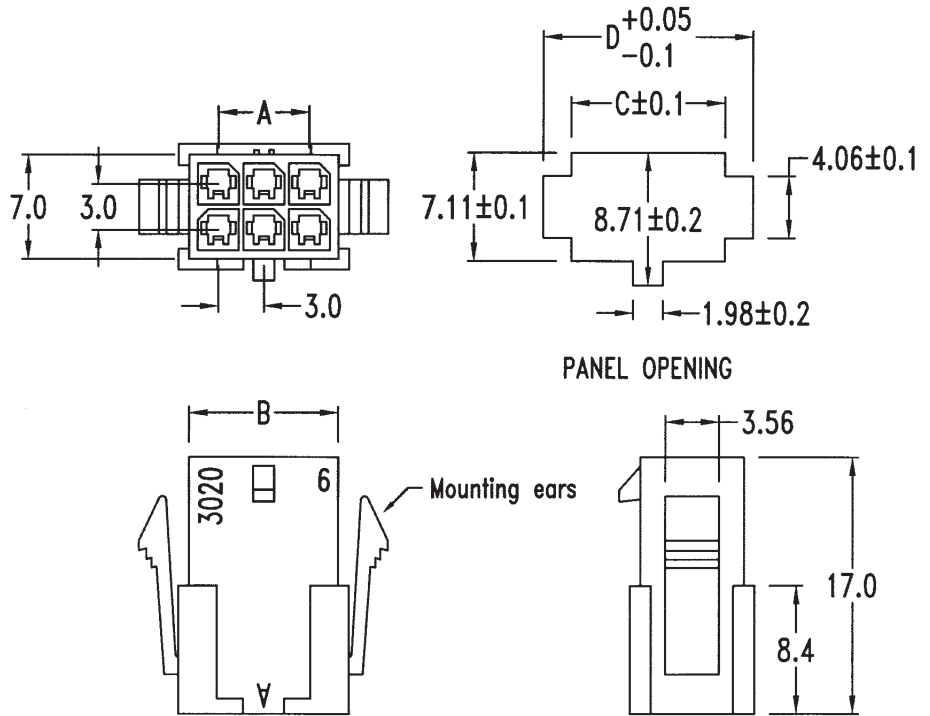
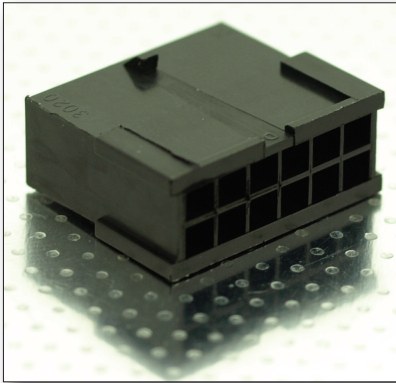


3.00mm Pitch Dual Row Micro-Power Type (Locking) Crimp Housings 3020-xx-y Series

Dual row types ~ 02 to 24 (2x12) positions with
UL file number E114003 - CSA file no LR865545
Mates with Valcon 3031T series crimps



Circuits	Dim. A	Dim. B	Dim. C	Dim. D	Circuits	Dim. A	Dim. B	Dim. C	Dim. D
2		4.0	4.21	7.90	14	18.0	22.0	22.20	25.88
4	3.0	7.0	7.21	10.90	16	21.0	25.0	25.20	28.88
6	6.0	10.0	10.21	13.89	18	24.0	28.0	28.20	31.88
8	9.0	13.0	13.21	16.89	20	27.0	31.0	31.22	34.87
10	12.0	16.0	16.21	19.89	22	30.0	34.0	34.22	37.87
12	15.0	19.0	19.21	22.89	24	33.0	37.0	37.22	40.87

Ordering Information for

3020- xx - y
1 2

Option 1(xx) Number of contacts (in total)
02(1x2),04(2x2),06(2x3),
08(2x4),10(2x5),12(2x6),
14(2x7),16(2x8),18(2x9),
20(2x10),22(2x11),24(2x12)

Please note - some sizes may be subject to MOQ

Option 2(y) Optional Mounting Ear
Leave Blank for No Ears (Standard)
E = Ears

Please note - some sizes may be subject to MOQ

Specification for 3020-xx-y Series

Insulator Material: Black Nylon 66 UL94V-0
Current Rating (with crimp): 5 Amps(20 & 22awg), 4 Amps(24awg)
(vs Wire Size - awg) 3 Amps(26awg), 2 Amps(22awg), 1Amp (30awg)
Rated Voltage: 250V AC(rms) or DC
DWV: 1500V AC for 1 minute
Insulation Resistance: 1000MΩ min.
Operating Temperature: -25°C to +85°C
Temperature Rise: 30°C Max.(carry rated current load)
Tolerance: ±0.25mm
Glow-Wire Flammability: (GWFI) IEC 60695-2-12
Glow-Wire Ignition: (GWIT) IEC 60695-2-13

Mates with Valcon 3031T-x Series crimps