



## DC POWER CONNECTORS: KLDVX Series

Vertical PCB Mount DC Power Jack

### Product Features

- 2.0mm and 2.5mm
- Mounts Perpendicular to PCB
- Built in DC On/Off Switch
- CSA/NRTL Certified File No. LR78160
- UL File No. E140125

### Performance Specifications

#### Materials and Finish

##### Plastic Housing:

High Temperature Thermoplastic, UL94V-0 Rated, Black Color

**Center Pin:** Brass, Nickel Plated

**Contact #1:** Brass, Matte Tin Plated

**Contact #2:** Phosphor Bronze, Gold Flash on Contact Area, Matte Tin on Solder Pin

**Contact #3:** Brass, Matte Tin Plated

### Electrical Characteristics

#### Contact Resistance

##### Before Durability Test

**Between Terminals:** 30 milliohms Max.

**Plug to Contacts:** 50 milliohms Max.

##### After Durability Test

**Between Terminals:** 60 milliohms Max.

**Plug to Contacts:** 100 milliohms Max.

**Rated Voltage:** 24V DC

**Rated Current:** 3.5A

**Insulation Resistance:** 100 Megohms Min.

**Dielectric Withstanding Voltage:** 500V AC RMS for 1 Minute

### Mechanical Characteristics

**Durability Test:** 5000 Cycles

**Insertion Force:** 0.3kg - 2.0kg

**Extraction Force:** 0.3kg - 2.0kg

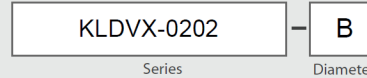
**Operating Temperature:** -25°C to +85°C



Generated Part Number

**KLDVX-0202-B**

Part Number Builder



#### Series

KLDVX-0202 - Vertical PCB Mount DC Power Jack

#### Diameter

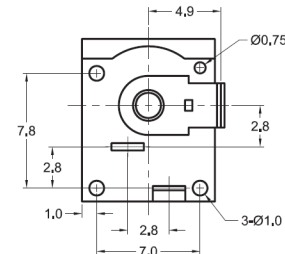
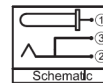
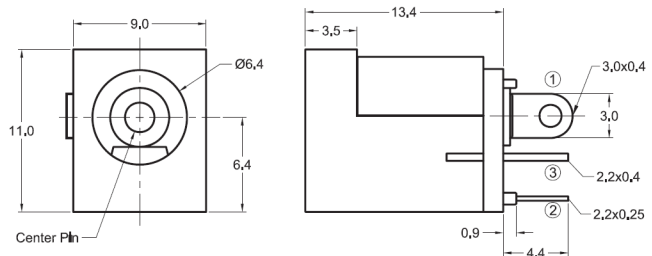
A - 2.0mm Center Pin Diameter

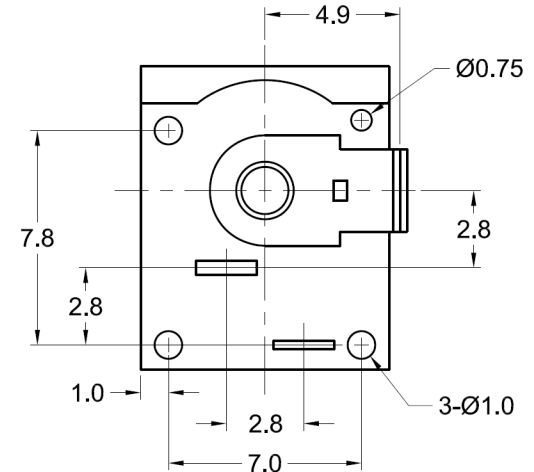
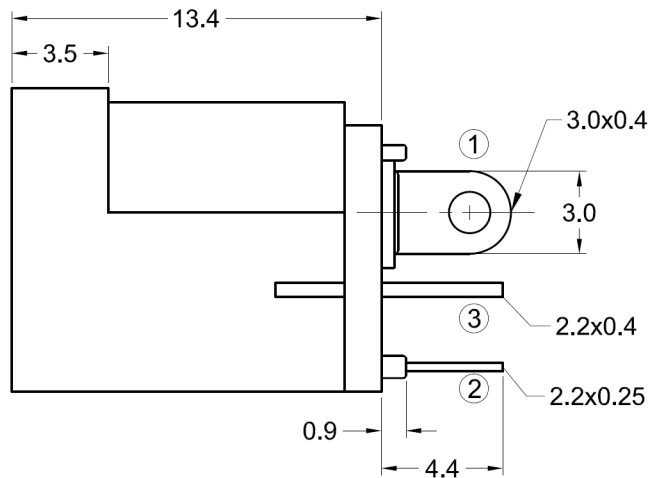
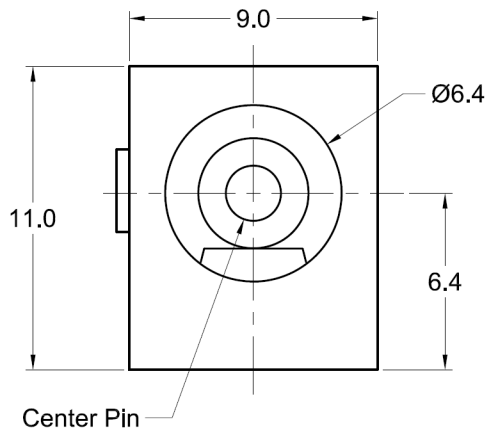
B - 2.5mm Center Pin Diameter

Contact Kycon For Other Options

### KLDVX-0202 Series

Dimensions in mm





**Material and Finish**

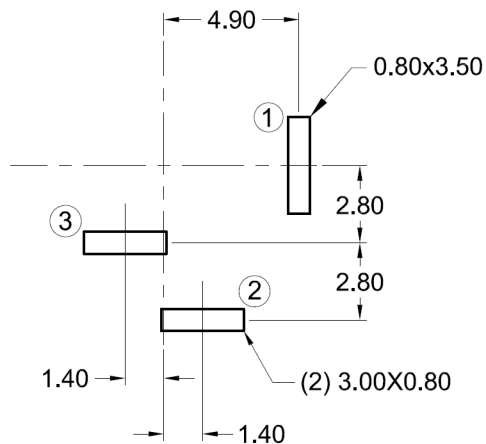
Body: High Temp Material  
 UL94V-0 Rated, Color: Black  
 Center Pin: Brass, Nickel Plated  
 Contact #1: Brass, Matte Tin Plated  
 Contact #2: Phosphor Bronze,  
 Gold Flash on Contact Area,  
 Matte Tin on Solder Pin  
 Contact #3: Brass, Matte Tin Plated

**Electrical Characteristics**

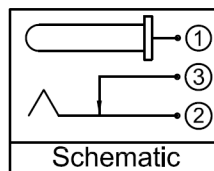
Rated Voltage: 24V DC  
 Rated Current: 3.5 Amps  
 Contact Resistance  
 Before Test  
 Between Terminals: 30 milliohms Max.  
 Plug to Contacts: 50 milliohms Max.  
 After Test:  
 Between Terminals: 60 milliohms Max.  
 Plug to Contacts: 100 milliohms Max.  
 Insulation Resistance: 100 Megohms Min. (initial)  
 50 Megohms Min. (after humidity test)  
 Dielectric Withstanding Voltage:  
 500V AC for 1 minute

**Mechanical Characteristics**

Durability Test: 5000 cycles  
 Insertion Force: 0.3kg-2.0kg  
 Extraction Force: 0.3kg-2.0kg  
 Operating Temp: -25°C to +85°C



Recommended PCB Layout  
 (Bottom View)



Part Number	Center Pin Diameter
KLDVX-0202-A	Ø2.00
KLDVX-0202-B	Ø2.50
KLDVX-0202-D	Ø3.00



Tolerances
X.X ± 0.3
X.XX ± 0.15
Unless Stated Otherwise

REV.	DATE	DESCRIPTION	REV. BY	CHK. BY	DRAWN BY	DATE
A2	11/8/05	Change to HI Temp Material	H. MA	C. Furumasu	H. MA	7/6/05
A3	8/3/06	Add -D option	H. MA	C. Furumasu		
A4	08/20/10	ECO #10-058	S. Vien	H. MA	UNITS	mm
A5	10/18/10	ECO #10-072	S. Vien	H. MA		
A6	07/26/11	ECO #11-051	S. Vien	H. MA		
A7	06/20/13	ECO #13-041	W. Cook	P. DalCanto		

**KLDVX-0202-x**

Power Jack, Vertical, PCB Mount, RoHS compliant

Ø2.0mm, Ø2.5mm & Ø3.0mm Center Pin, High Temp

