



DC POWER CONNECTORS: KLDX Series
PCB Mount DC Power Jack

Product Features

- 2.0mm and 2.5mm
- Built-In DC On/Off Switch
- Laptop and Palm Computers, Portable Modems, Radar Detectors, and Other Portable Device Applications
- CSA/NRTL Certified File No. LR78160
- UL File No. E140125

Performance Specifications

Materials and Finish

- Plastic Housing:** PBT, UL94V-0 Rated, Black Color
- Center Pin:** Copper Alloy, Nickel Plated
- Contact #1 and #3:** Brass, Tin Plated
- Contact #2:** Phosphor Bronze, Tin Plated

Electrical Characteristics

- Contact Resistance Before Durability Test**
- Between Terminals:** 30 milliohms Max.
- Plug to Contacts:** 50 milliohms Max.
- After Durability Test**
- Between Terminals:** 60 milliohms Max.
- Plug to Contacts:** 100 milliohms Max.
- Rated Voltage:** 24V DC
- Rated Current:** 3.5A
- Insulation Resistance:** 100 Megohms Min. at 500V DC
- Dielectric Withstanding Voltage:** 500V AC RMS for 1 Minute

Mechanical Characteristics

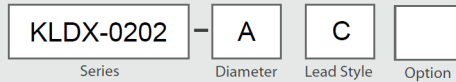
- Durability Test:** 5000 Cycles
- Insertion Force:** 0.3kg - 2.5kg
- Extraction Force:** 0.3kg - 2.5kg
- Operating Temperature:** -25°C to +85°C



Generated Part Number

KLDX-0202-AC

Part Number Builder



Series

KLDX-0202 - PCB Mount DC Power Jack

Diameter

- A - 2.0mm Center Pin Diameter
- B - 2.5mm Center Pin Diameter

Lead Style

- Blank - Standard Straight
- C - Crimped

Option

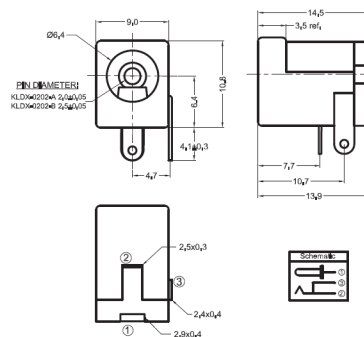
- Blank - Standard
- HT - High Temp

Contact Kycon For Other Options

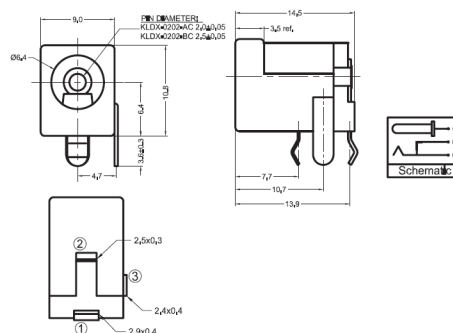
KLDX Series

Dimensions in mm

KLDX-0202-x



KLDX-0202-xC



the **vital**
component

*Also available - KLDX-HT Reflow Compatible