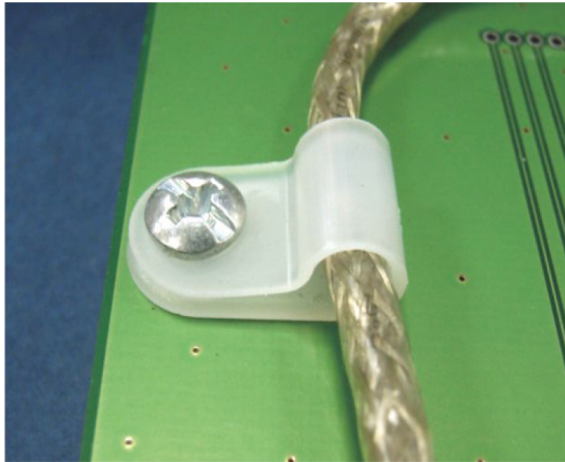


CC-xx

Screw Down Plastic Cable Clamp

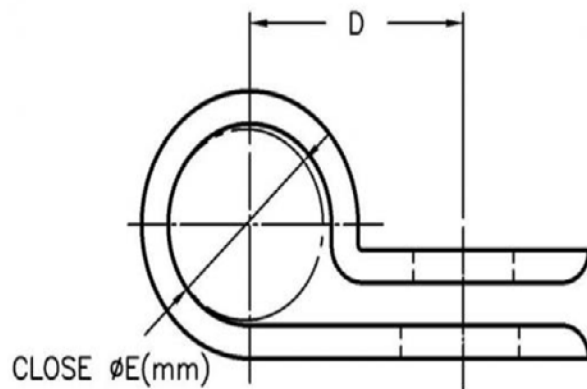


Ordering information:

CC-XX-xx

XX-xx = See table on page 2

- Material: NYLON 66(UL)
- Flame Class: 94V-2
- Natural Colour



| PART NO | A | B | D | E |
|---------|------|-----|------|-----------|
| CC-1SS | 6.5 | 3.8 | 6.8 | 3.2 |
| CC-1S | 9.2 | 5.4 | 6.8 | 3.2 |
| CC-1 | 13.2 | 5.4 | 8.9 | 3 |
| CC-2 | 10 | 5.4 | 10.2 | 4.5 |
| CC-3 | 9.3 | 5 | 10.2 | 6.2 |
| CC-4 | 9.5 | 5 | 10.5 | 7.6 |
| CC-4L | 9.2 | 5.4 | 10.7 | 8 |
| CC-5 | 9.5 | 4.8 | 12.4 | 9 |
| CC-5L | 12.3 | 5.4 | 13.2 | 9 |
| CC-6 | 12.7 | 4.8 | 14.7 | 11.5 |
| CC-7 | 12.9 | 5.4 | 16 | 12.8 |
| CC-7S | 12.5 | 4.8 | 17.1 | 15.5 |
| CC-8 | 12.9 | 5.4 | 20.2 | 17 |
| CC-9 | 12.9 | 5.4 | 21.2 | 20 |
| CC-10 | 12.9 | 5.4 | 23.5 | 24.0~27.0 |
| CC-12 | 9.9 | 4.4 | 8.5 | 3 |
| CC-13 | 9.5 | 3.2 | 12 | 8.3 |
| CC-14 | 6.3 | 3.7 | 6.4 | 3.5 |
| CC-15 | 9.6 | 4.4 | 12.1 | 5.6 |
| CC-16 | 11.6 | 6.4 | 12.1 | 5.6 |
| CC-17 | 10 | 4.2 | 9.5 | 5 |
| CC-18 | 10 | 4.2 | 13 | 11 |
| CC-19 | 9.9 | 4.4 | 7.75 | 4.5 |
| CC-20 | 10 | 4.3 | 9.9 | 6.5 |
| CC-24 | 9.6 | 4.4 | 7.5 | 5.6 |
| CC-31 | 10 | 4.2 | 14 | 11.5 |
| CC-32 | 10 | 4.2 | 9.5 | 5 |
| CC-35 | 6.5 | 3.3 | 3 | 9.5 |
| CC-37 | 10.9 | 5 | 7.5 | 10.5 |
| CC-38 | 12.9 | 6.6 | 7.5 | 10.5 |

