

(0,50 mm) .0197" (HQCD) (0,80 mm) .0315" (EQCD)

EQCD-040-04.00-TTL-STR-2

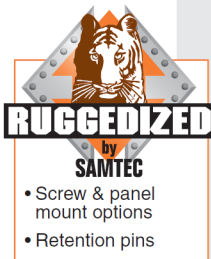
# QSTRIP® COAX CABLE ASSEMBLIES

## SPECIFICATIONS

**Cable:**  
38 AWG micro ribbon coax cable  
**Signal Routing:**  
50Ω Single-Ended  
**Overall Length:**  
(95,3 mm) 03.75" to  
(1 m) 40" standard  
**Cable Flexing Life:**  
>10,000 cycles  
**Cable Bending Radius:** <2,5mm  
**Plating:**  
Au over 50µ" (1,27 µm) Ni  
**Current Rating:**  
EQCD: 500 mA per pin  
HQCD: 300 mA per pin  
(6 adjacent pins powered)  
**Cable Propagation Delay:**  
4.79 nsec/meter  
**Operating Temp Range:**  
-25°C to +105°C  
**Unmating Force (-RT1 option):**  
-RT1 option increases  
unmating force up to 50%  
**RoHS Compliant:** Yes

HQCD Mates with:  
QTH, QSH

EQCD Mates with:  
QTE, QSE



0,50 mm or  
0,80 mm pitch

Socket or  
Terminal

Surface Mount  
or Panel Mount



38 AWG  
micro ribbon  
coax cable

| Cable Length | Rated @ 7dB Insertion Loss |                       |
|--------------|----------------------------|-----------------------|
|              | EQCD                       | HQCD                  |
| 10" (0,25 m) | 5.50 GHz / 11.00 Gbps      | 6.50 GHz / 13.00 Gbps |

Performance and complete test data available at [www.samtec.com?EQCD](http://www.samtec.com?EQCD), [www.samtec.com?HQCD](http://www.samtec.com?HQCD) or contact [sig@samtec.com](mailto:sig@samtec.com)

## RECOGNITIONS



## APPLICATIONS



Processing conditions will affect mated height.

## ALSO AVAILABLE (MOV Required)

- Other sizes and lengths
  - Other terminations
  - Other wire AWG
  - Retention pin
- Contact Samtec.

**Note:** Cable lengths longer than 40.00" (1 meter) are not supported with S.I. test data.

**Note:** Design your High Speed Cable with Samtec's High Speed Cable Solutionator® at [www.samtec.com/hdr](http://www.samtec.com/hdr)

**Note:** This Series is non-standard, non-returnable.

### TYPE

#### HQCD

= (0,50 mm) .0197" pitch

#### EQCD

= (0,80 mm) .0315" pitch

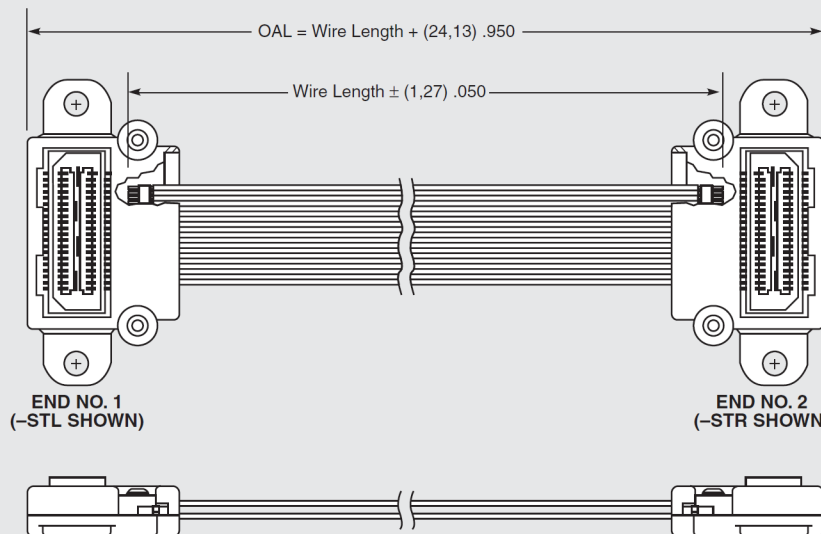
### NO. OF POSITIONS PER ROW

-030, -060, -090  
(HQCD Series)

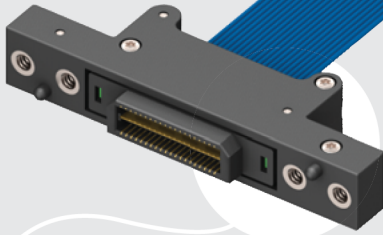
-020, -040, -060  
(EQCD Series)

### WIRE LENGTH

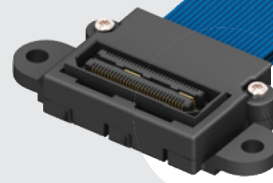
- "XX.XX"  
= Wire Length in Inches  
(43,7 mm) 01.72" minimum



EQCD-020-40.00-TPU-TTR-1



HQCD-030-06.00-STL-TTR-1-B



**HQCD, EQCD SERIES**



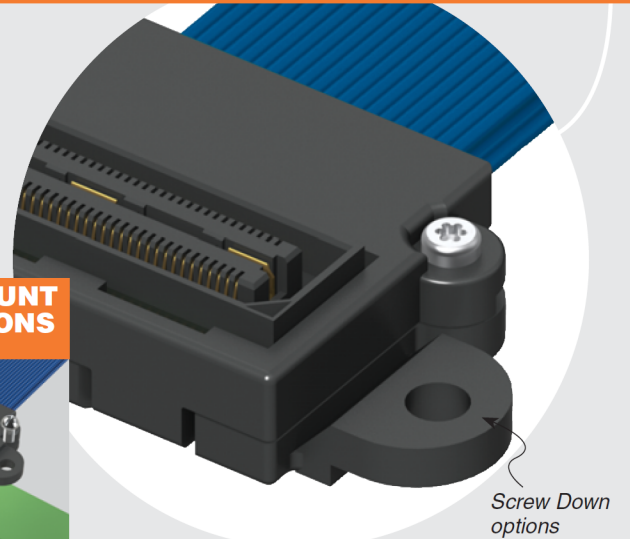
#4-40 Thread

Panel Mount options

**SCREW MOUNT APPLICATIONS (-F, -S, -B)**



SO-0318-04-01-02



Screw Down options

**END NO. 1**

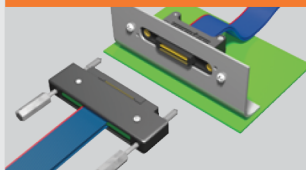
**END NO. 2**

**WIRING OPTION**

**END OPTIONS**

Specify END ASSEMBLIES from chart

**PANEL MOUNT END OPTION APPLICATIONS (-TPU, -TPD, -SPU, SPD)**



| END 1 ONLY | PANEL MOUNT |                                   |
|------------|-------------|-----------------------------------|
| TPU        |             | Terminal, Panel Mount, Notch Up   |
| TPD        |             | Terminal, Panel Mount, Notch Down |
| SPU        |             | Socket, Panel Mount, Notch Up     |
| SPD        |             | Socket, Panel Mount, Notch Down   |

- 1 = Pin 1 to Pin 1
- 2 = Pin 1 to Pin 2
- 3 = Pin 1 to Second to Last Pin
- 4 = Pin 1 to Last Pin

- Leave blank for no Screw Mount & Retention End Option
- F = Screw Mount End No. 1 only (N/A with XPX options)
- S = Screw Mount End No. 2 only
- B = Screw Mount Both Ends (N/A with XPX options)

- 1 = End No. 1 Screw Mount. End No. 2 Retention Pin or Socket
- 2 = End No. 1 Retention Pin or Socket. End No. 2 Screw Mount Option

| END 1 or END 2 | SURFACE MOUNT |                                     |
|----------------|---------------|-------------------------------------|
| TTR            |               | Terminal, Top Mount, Notch Right    |
| TTL            |               | Terminal, Top Mount, Notch Left     |
| TBR            |               | Terminal, Bottom Mount, Notch Right |
| TBL            |               | Terminal, Bottom Mount, Notch Left  |
| STR            |               | Socket, Top Mount, Notch Right      |
| STL            |               | Socket, Top Mount, Notch Left       |
| SBR            |               | Socket, Bottom Mount, Notch Right   |
| SBL            |               | Socket, Bottom Mount, Notch Left    |

the vital component

Due to technical progress, all designs, specifications and components are subject to change without notice.