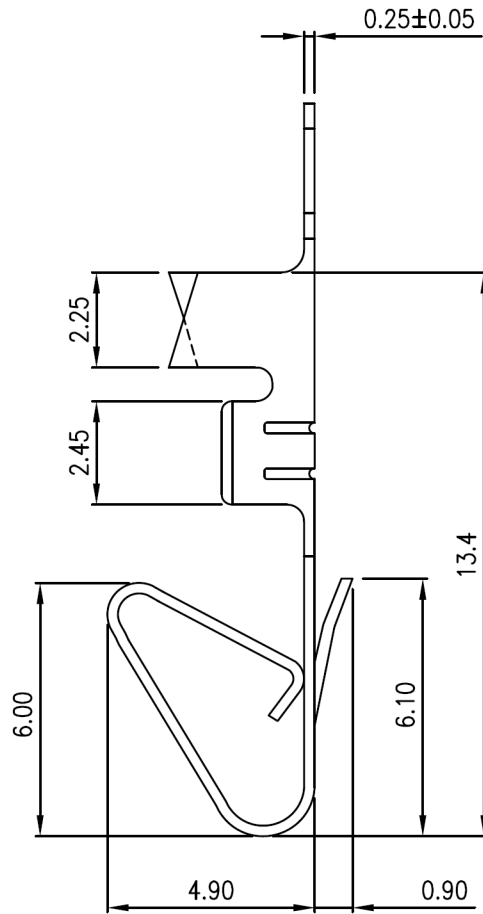
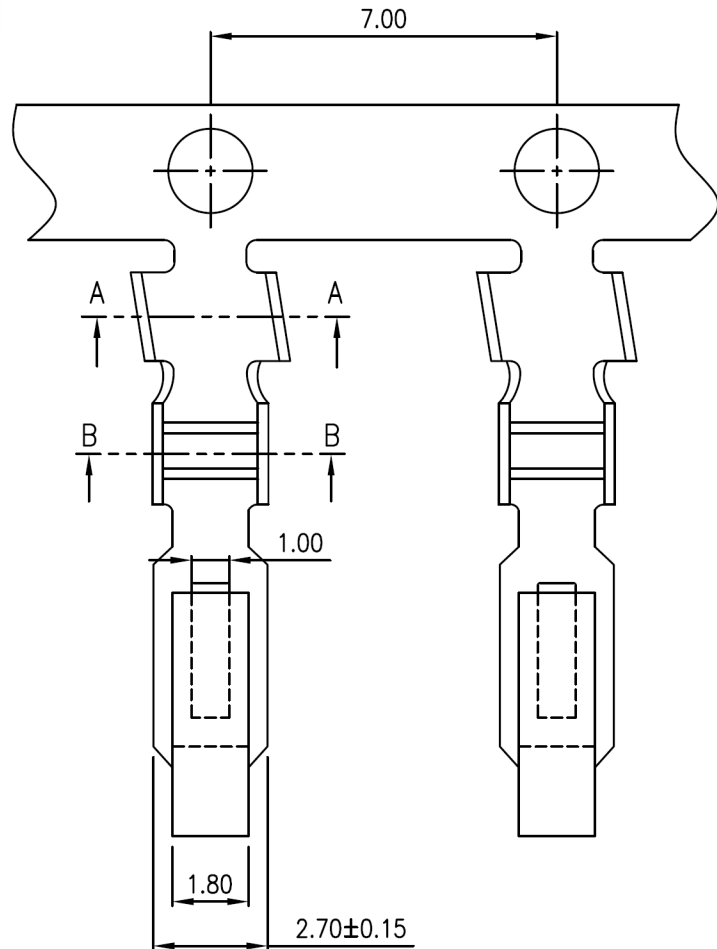




C **UL** US E182481



REV	DESCRIPTION	DATE
A1	EN990602-1	2010.06.02

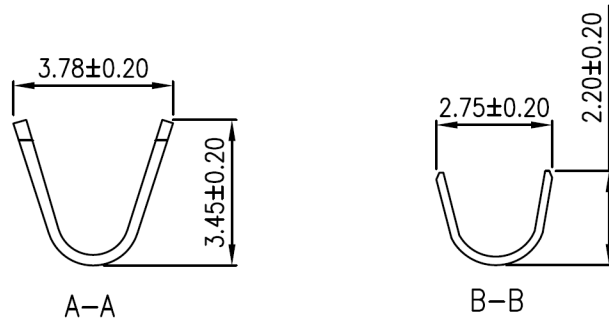


Specification Notes

- Rated current: 5A Max.
- Rated voltage: 250 V AC, DC
- Contact resistance: 20 mΩ Max.
- Insulation resistance: 1,000 MΩ Min.
- Dielectric withstand voltage: 1500V AC / minute
- Temperature range: -25 °C / +85 °C
- Material: Brass
- Finish: Tin-plated
- Accepts: AWG #18 ~ #24
- Thickness: 0.25mm

ORDERING INFORMATION

- BH508T-010** = Reel Terminals
- BH508T-L** = Loose Terminals
- Packaging: Loose Terminals = Bag / Reeled Terminals = 6k Reel



TOLERANCE		the vital component			
X.	--	TITLE 3.96mm(.156") Pitch Wire to Board Terminal			
X.X	±0.25				
X.XX	±0.15				
X.XXX	±0.05				
ANGULAR	--				
APPROVALS					
DRAWN	Frank	VIEW	SCALE	PART NO.	REV.
	02-June-2010		F	BH508T-xxx / BH508T-x	A1
CHECKED	Denise	UNIT	SIZE	DWG NO.	SHEET
	02-June-2010	MM	A4	BH508T-xxx / BH508T-x	1 OF 1
APPROVED	Jessica				
	02-June-2010				