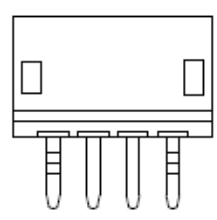
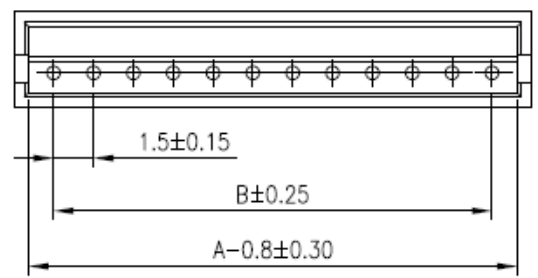




REV	DESCRIPTION	DATE
A1	EN990310-1	2010.03.10



2~4 Pin

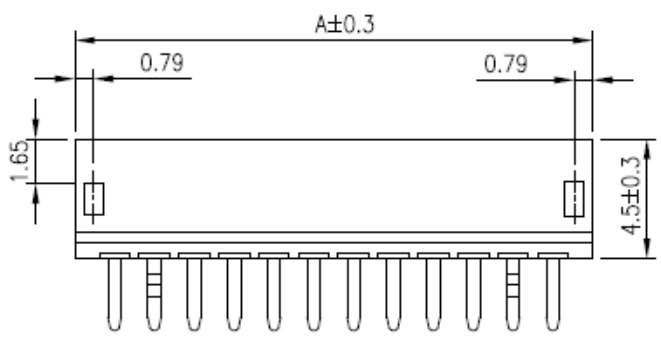
NOTES

Available in 02 through 13 Circuits
 Material: Nylon 66 UL94-V0
 Accepts 1160-T Crimp Terminal
 Mates with 1160-H Series Housing
 0.5mm(.020") Round Pin
 Pin Material: Brass/Tin-Plated

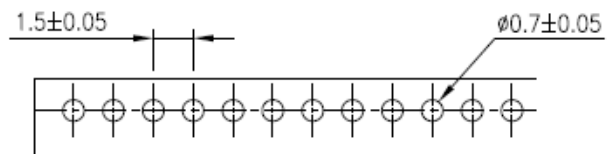
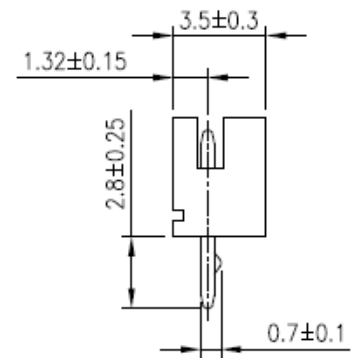
ORDERING INFORMATION

1160 - W ** S T
1 2 3

- No. of Circuits 02~13
- Connect Type
S : Straight
T : Tin-Plated
- Plated



5~13 Pin



P.C.B Thickness : 1.20±0.05mm

P.C.B LAYOUT

Circuits	Dimension mm		Circuits	Dimension mm	
	A	B		A	B
2	4.50	1.50	8	13.50	10.50
3	6.00	3.00	9	15.00	12.00
4	7.50	4.50	10	16.50	13.50
5	9.00	6.00	11	18.00	15.00
6	10.50	7.50	12	19.50	16.50
7	12.00	9.00	13	21.00	18.00



the vital component

TITLE 1.5mm(.059") Pitch
Wire to Board Header

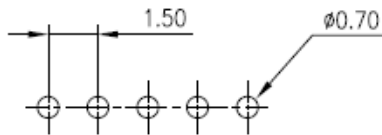
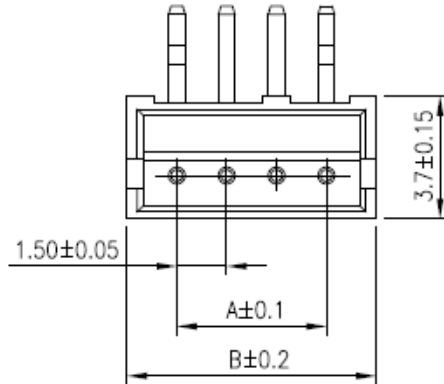
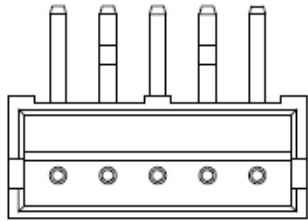
TOLERANCE		VIEW		SCALE	PART NO.	REV.
X.	--	⊕		F	1160-W**ST	A1
X.X	±0.25	⊕		F		
X.XX	±0.20	UNIT		SIZE	DWG NO.	SHEET
X.XXX	±0.10	MM		A4	1160-W**ST-085	1 OF 1
ANGULAR	--	APPROVED				
DRAWN Frank		CHECKED Denise				
10-March-2010		10-March-2010				
APPROVED Jessica		10-March-2010				



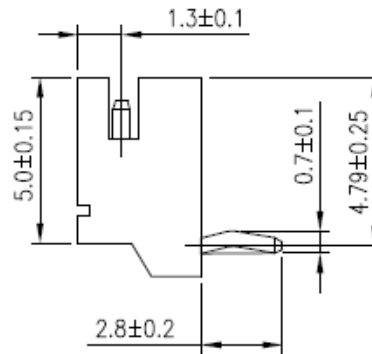
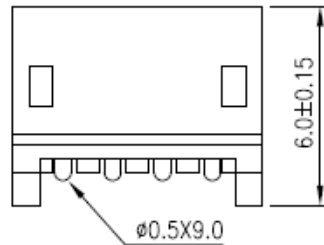
REV	DESCRIPTION	DATE

5P ~13P Kink Type

2P ~4P Kink Type



P.C.B LAYOUT



NOTES

Available in 02 through 13 Circuits
 Material: Nylon 66 UL94-V0
 Accepts 1160-T Crimp Terminal
 Mates with 1160-H Series Housing
 Pin Material: Brass/Tin-Plated

ORDERING INFORMATION

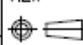
1160 - W ** R T
1 2 3

- No. of Circuits 02~13
- Connect Type
R : Right Angle
T : Tin-Plated
- Plated
T : Tin-Plated



Circuits	Dimension mm		Circuits	Dimension mm	
	A	B		A	B
2	1.50	4.50	8	10.5	13.50
3	3.00	6.00	9	12.00	15.00
4	4.50	7.50	10	13.50	16.50
5	6.00	9.00	11	15.00	18.00
6	7.50	10.5	12	16.50	19.50
7	9.00	12.00	13	18.00	21.00

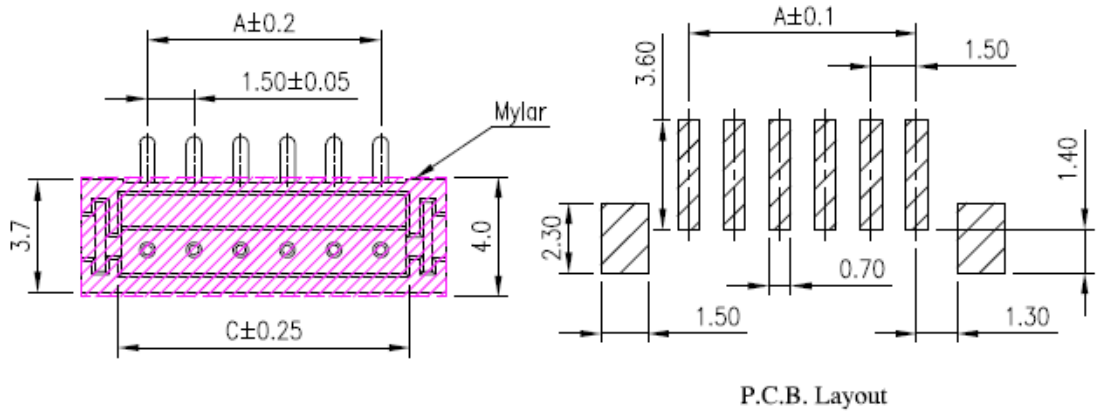
TOLERANCE	
X.	--
X.X	±0.20
X.XX	±0.15
X.XXX	±0.10
ANGULAR	--
APPROVALS	
DRAWN	Kang 27-June-2013
CHECKED	Denise 27-June-2013
APPROVED	Jessica 27-June-2013

the vital component			
TITLE 1.5mm(.059") Pitch Wire to Board Header			
VIEW	SCALE	PART NO.	REV.
	F	1160-W**RT	A0
UNIT	SIZE	DWG NO.	SHEET
MM	A4	1160-W**RT-085	1 OF 1



US E182481

REV	DESCRIPTION	DATE
A1	EN990310-1	2010.03.10
A2	EN000120-1	2011.01.20



NOTES

Available in 02 through 13 Circuits
 Material: Nylon 6T UL94-V0
 Mates with 1160-H Series Housing
 PIN Material: Brass/Tin-Plated or Gold-Plated

ORDERING INFORMATION

1160 - S ** S **
1 2 3 4 5

- 1. S : SMT
- 2. No. of Circuits 02~13
- 3. S : Straight
- 4. Plated
 T : Tin-Plated
 G : Gold-Plated
- 5. Packing
 A : Tape & Reel
 A1 : Tape & Reel/With Mylar
 B : Tube Package
 C : Box Package



Circuits	Dimension mm			Circuits	Dimension mm		
	A	B	C		A	B	C
2	1.50	6.00	3.60	8	10.50	15.00	12.60
3	3.00	7.50	5.10	9	12.00	16.50	14.10
4	4.50	9.00	6.60	10	13.50	18.00	15.60
5	6.00	10.50	8.10	11	15.00	19.50	17.10
6	7.50	12.00	9.60	12	16.50	21.00	18.60
7	9.00	13.50	11.10	13	18.00	22.50	20.10

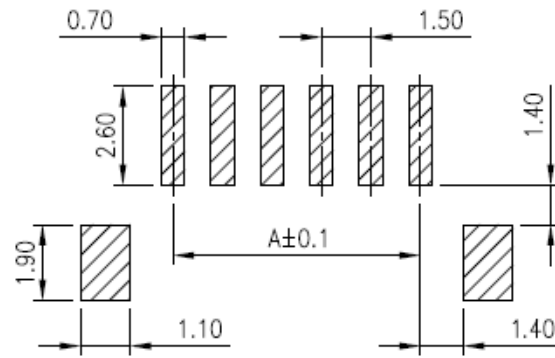
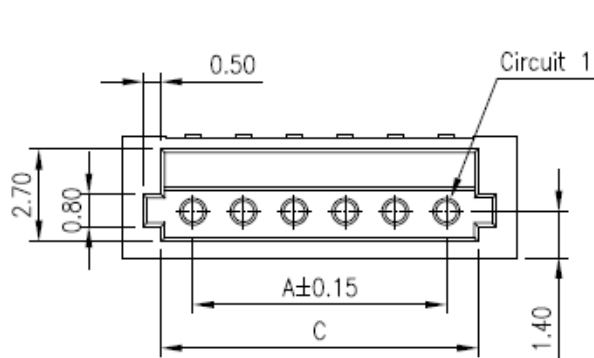
TOLERANCE		the vital component			
X.	---	TITLE 1.5mm(.059") Pitch Wire to Board Header			
X.X	±0.30				
X.XX	±0.20				
X.XXX	---				
ANGULAR	---				
APPROVALS					
DRAWN	Frank	VIEW	SCALE	PART NO.	REV.
	01-February-2011		F	1160-S***	A2
CHECKED	Denise	UNIT	SIZE	DWG NO.	SHEET
	01-February-2011	MM	A4	1160-S***	1 OF 1
APPROVED	Jessica				
	01-February-2011				



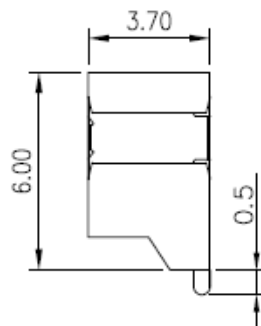
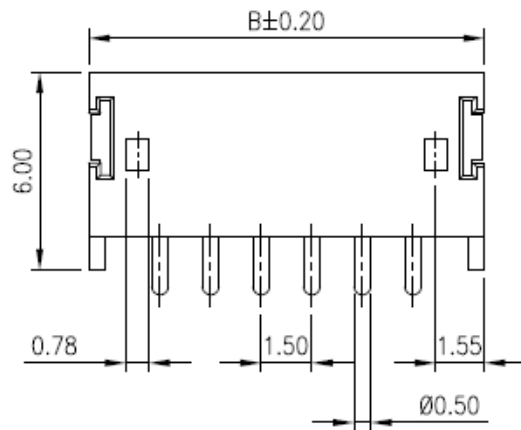


US E182481

REV	DESCRIPTION	DATE
A1	EN990310-1	2010.03.10



P.C.B. Layout



NOTES

Available in 02 through 13 Circuits
 Material: Nylon 6T UL94-V0
 Mates with 1160-H Series Housing
 PIN Material: Brass/Tin-Plated

ORDERING INFORMATION

1160 - S ** R T *
1 2 3 4 5

1. S : SMT
2. No. of Circuits 02~13
3. R : Right
4. Plated
T : Tin
5. Packing
A : Tape & Reel
B : Tube Package
C : Box Package



Circuits	Dimension mm			Circuits	Dimension mm		
	A	B	C		A	B	C
2	1.50	6.00	3.60	8	10.50	15.00	12.60
3	3.00	7.50	5.10	9	12.00	16.50	14.10
4	4.50	9.00	6.60	10	13.50	18.00	15.60
5	6.00	10.50	8.10	11	15.00	19.50	17.10
6	7.50	12.00	9.60	12	16.50	21.00	18.60
7	9.00	13.50	11.10	13	18.00	22.50	20.10

TOLERANCE		the vital component			
X.	---	TITLE 1.5mm(.059") Pitch Wire to Board Wafer			
X.X	±0.30				
X.XX	±0.20				
X.XXX	---				
ANGULAR	---				
APPROVALS					
DRAWN	Frank	VIEW	SCALE	PART NO.	REV.
	10-March-2010		F	1160-S**RT*	A1
CHECKED	Denise	UNIT	SIZE	DWG NO.	SHEET
	10-March-2010	MM	A4	1160-S**RT*	1 OF 1
APPROVED	Jessica				
	10-March-2010				

