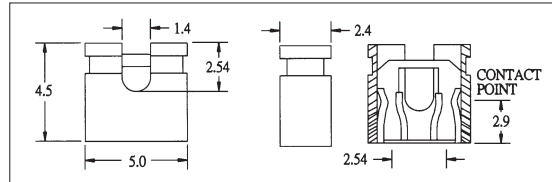
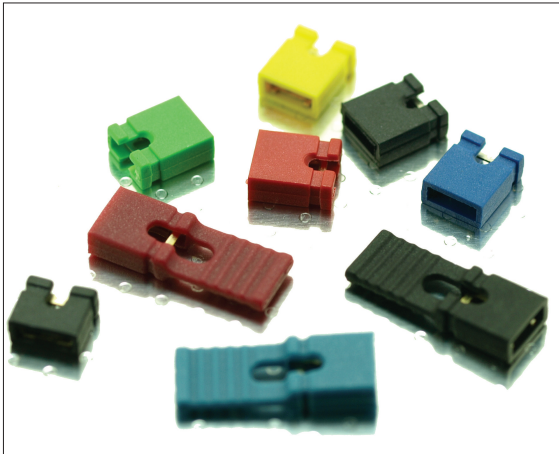
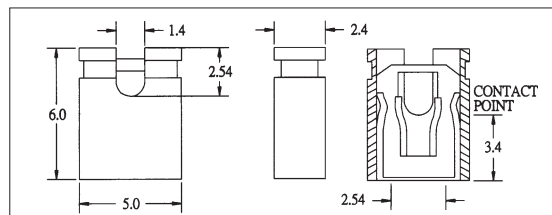


2.54mm Pitch Jumper Links for THx Series Pin Headers TSL-xxx-R-y-z Series

2.54mm Contact Pitch (Mates with Valcon THx Series Pin Headers)
Gold Flash Plated Contact
Low Profile and Optional Colours Available



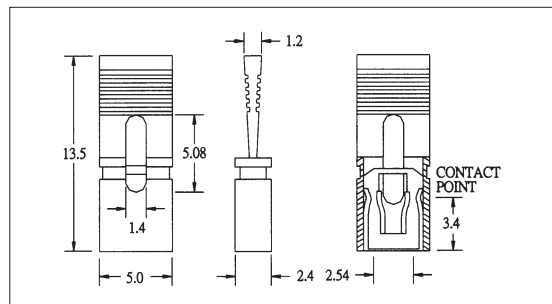
TSL-177-R-0 Series (Low Profile)



TSL-260-R-y-z Series (Open)

Specification for TSL-xxx-R-y-z Series

Contact Material:	Brass
Contact Plating:	Gold Flash Plated
Body:	PBT UL94V-0 Rated
Rated Current:	3A - DWV - AC500V
Insulation Resistance:	5000 MΩ Max.
Operating Temperature:	-40°C to +105°C



TSL-260-R-y-z Series (Handle)

Ordering Information for TSL-xxx-R-y-z Series

TSL - xxx- R - y - z

Part Number *Type & Colour (Options y & z)*

Low Profile

TSL-177-R-0 4.5mm profile / Black / Open Top

Standard Open Top

TSL-260-R-0 6mm profile / Black / Open Top

TSL-260-R-0-B 6mm profile / Blue / Open Top

TSL-260-R-0-G 6mm profile / Green / Open Top

TSL-260-R-0-R 6mm profile / Red / Open Top

TSL-260-R-0-Y 6mm profile / Yellow / Open Top

With Handle Type

TSL-260-R-H Black / With Handle

TSL-260-R-H-B Blue / With Handle

TSL-260-R-H-R Red / With Handle

Please note: Some lengths, styles & options are non-standard, non-returnable and may be subject to minimum order quantities.

Tel: 01295 271777 Fax: 01295 271744 Web: www.toby.co.uk email: sales@toby.co.uk