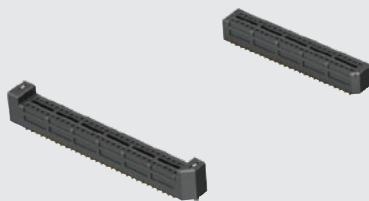




TIGER EYE™
SYSTEM

SEMS-125-02-03.0-H-D

SEML-145-02-03.0-H-D-WT



SEM-130-02-03.0-H-D-WT



SEM-110-02-03.0-H-D-WT

SEM, SEMS, SEML SERIES

(0.80 mm) .0315"

MICRO TIGER EYE™ SOCKET

SPECIFICATIONS

For complete specifications and recommended PCB layouts see www.samtec.com?SEM, www.samtec.com?SEMS or www.samtec.com?SEML

Insulator Material:

Black Liquid Crystal Polymer

Contact Material:

BeCu

Plating:

Au or Sn over

50 μ" (1.27 μm) Ni

Operating Temp Range:

-55 °C to +125 °C

Current Rating (SEM/TEM):

2.6 A per pin

(2 pins powered)

Voltage Rating:

235 VAC/330 VDC

RoHS Compliant:

Yes

SEM, SEML Mates with:

TEM

SEMS Mates with:

TEMS



POWER/SIGNAL APPLICATION

Compatible with UMPT/UMPS for flexible two-piece power/signal solutions

RUGGEDIZED BY SAMTEC

- Passes 10 year MFG
- Locking clip option
- Weld tab option

HIGH-SPEED CHANNEL PERFORMANCE

Rating based on Samtec reference channel. For full SI performance data visit Samtec.com or contact SIG@samtec.com

8 Gbps

PROCESSING

Lead-Free Solderable:

Yes

SMT Lead Coplanarity:

(0.10 mm) .004" max

RECOGNITIONS

For complete scope of recognitions see www.samtec.com/quality



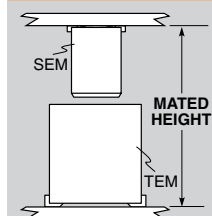
OTHER SOLUTIONS

- Board Stacking: See SFM, TFM Series
- Cable Assemblies: See SFSD, TFSD Series

TYPE STRIP	NO. PINS PER ROW	STACK HEIGHT	PLATING OPTION	OPTION	OTHER OPTION
------------	------------------	--------------	----------------	--------	--------------

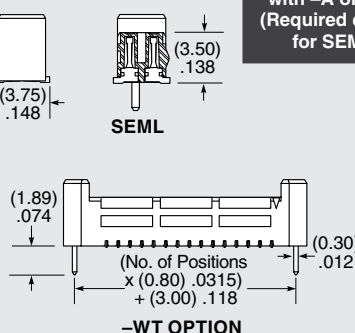
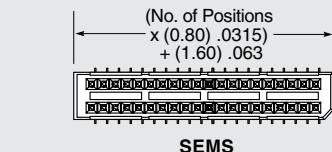
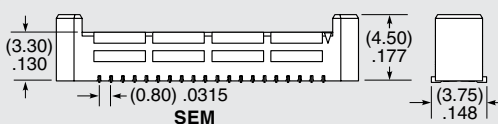
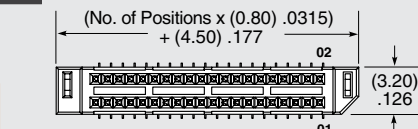
SEM = Tiger Eye™ Strip	05, 10, 15, 20, 25 30, 35, 40, 45, 50 (SEM/SEML only) (Standard sizes)	-03.0 = 6 mm, 7 mm or 10 mm Stack Height when mated with TEM/TEMS Series (SEML only available with 6 mm Stack Height)	-FG = Gold Flash -G = 10 μ" (0.25 μm) Gold on contact, Gold Flash on tail -H = 30 μ" (0.76 μm) Gold on contact, Gold Flash on tail	-A = Alignment Pin (Not available with -LC or -WT) -LC = Locking Clip (Not available with -A or -WT) (Manual placement required) -WT = Weld Tab (Not available with -A or -LC) (Required callout for SEML)	-K = (3.50 mm) .138" DIA Polyimide film Pick & Place Pad (Required for SEMS) -TR = Tape & Reel (Required for SEMS)
----------------------------------	---	---	--	--	---

MATED HEIGHT



TEM LEAD STYLE	MATED HEIGHT*
-03.0	6 mm
-04.0	7 mm
-07.0	10 mm

*Processing conditions will affect mated height.



ALSO AVAILABLE (MOQ Required)

- Other sizes
- Other platings

Note: Some sizes, styles and options are non-standard, non-returnable.