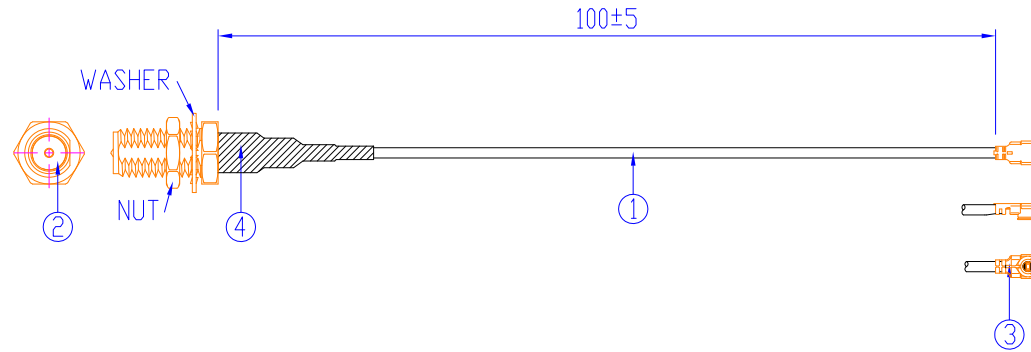


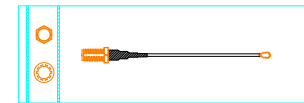
RoHS COMPLIANT

REV.	DATE	DESCRIPTION
A	09/07/96	RELEASED
B	XX/XX/XX	
C	XX/XX/XX	



MATERIAL LIST :

1. RF COAXIAL CABLE - OD : 1.32mm; COLOR : GRAY (x1)
2. SMA REVERSE POLARITY SERIES (ATTACHMENT FOR FLEXIBLE CABLE)
STRAIGHT BULKHEAD JACK (SM-2812-34BGTG001) (x1)
3. RF CONNECTOR : I-PEX (x1)
4. HEAT SHRINK TUBE (二段式) (x1)



包裝方式 :

1. 1PCS/PE BAG