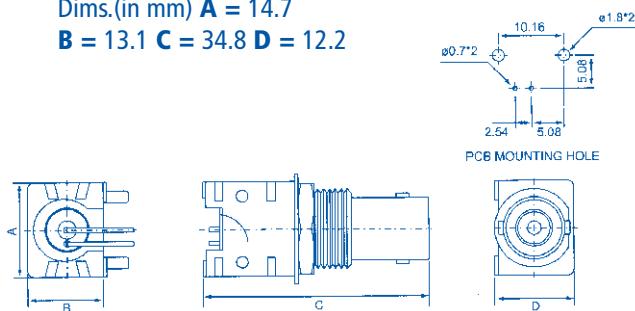


## B-P225-Z-xx-R Series BNC 50 & 75 ohm RA PCB Mount Sockets

- Nickel Finish - Gold Contact & Tin PCB Contacts
- Standard Outline (13.10mm Profile) Right Angled PCB Types
- White PBT Body - Zinc - Nickel Plated (RoHS)



Dims.(in mm) **A = 14.7**  
**B = 13.1 C = 34.8 D = 12.2**



### Specification for B-P225-Z-xx-R Connectors:

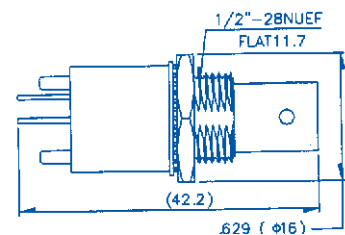
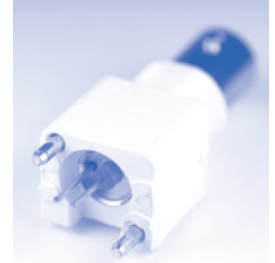
Contact Material:	Gold Plated (with white insulator)
PCB Contacts:	Tin Plated
Shell Material:	White PBT (UL94V-0)
Contact Resistance:	3 milliOhms max @ DC 1A
Withstanding Voltage:	1,500 VAC for 1 minute
Insulation Resistance:	1000 MOhms min. @ DC 500V
Voltage Rating:	AC 500V
Operating Temp:	-40 ~ +90 Deg. C
Impedance / Frequency Range:	75ohm 0 - 1.0 GHz
VSWR:	1.35 Max (Right Angle)
Insertion Loss:	0.2dB @ 3GHz

### Ordering Information for B-P225-Z-xx-R Series

Part Number	Impedance / Connector Type
<b>B-P225-Z-75-R</b>	75 Ohm - (Standard outline type) RA mount white plastic Body
<b>B-P225-Z-50-R</b>	50 Ohm - (Standard outline type) RA mount white plastic Body

## B-P0215-Z-50-R Series BNC 50 ohm Vertical PCB Mount Sockets

- Nickel Finish - Gold Contact & Tin PCB Contacts
- Standard Outline (13.10mm Profile) Vertical Mount PCB Types
- White PBT Body - Zinc - Nickel Plated (RoHS)



### Specification for B-P0215-Z-50-R Connectors:

Contact Material:	Gold Plated (with white insulator)
PCB Contacts:	Tin Plated
Shell Material:	White PBT (UL94V-0)
Contact Resistance:	3 milliOhms max @ DC 1A
Withstanding Voltage:	1,500 VAC for 1 minute
Insulation Resistance:	1000 MOhms min. @ DC 500V
Voltage Rating:	AC 500V
Operating Temp:	-40 ~ +90 Deg. C
Impedance / Frequency Range:	75ohm 0 - 1.0 GHz
VSWR:	1.35 Max (Straight)
Insertion Loss:	0.2dB @ 3GHz

### Ordering Information for B-P0215-Z-50-R Series

Part Number	Impedance / Connector Type
<b>B-P0215-Z-50-R</b>	50 Ohm - (Standard outline type) Straight PCB mount white plastic Body