

A32a HALF PITCH DIP PLUG



PITCH: 1.27mm * 1.27mm

SPECIFICATIONS

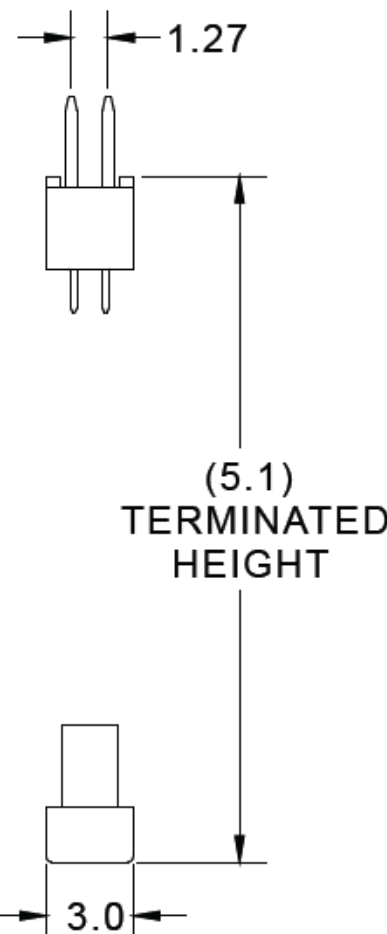
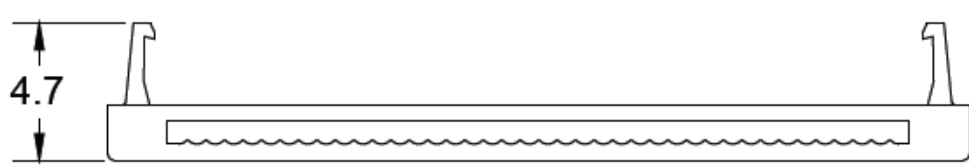
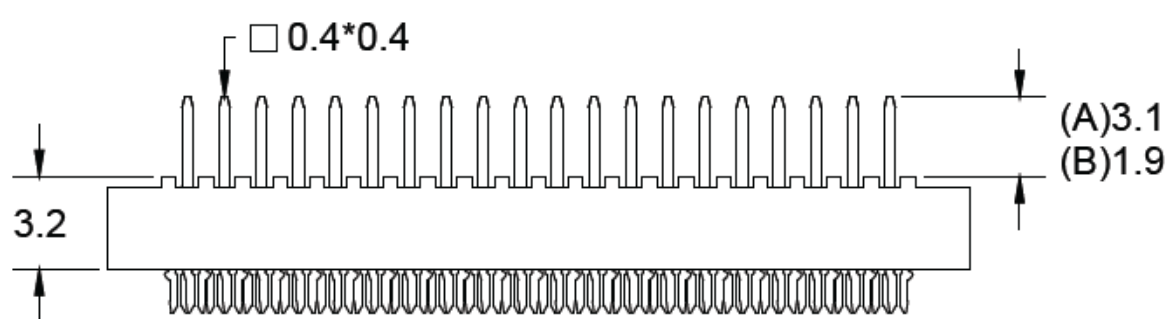
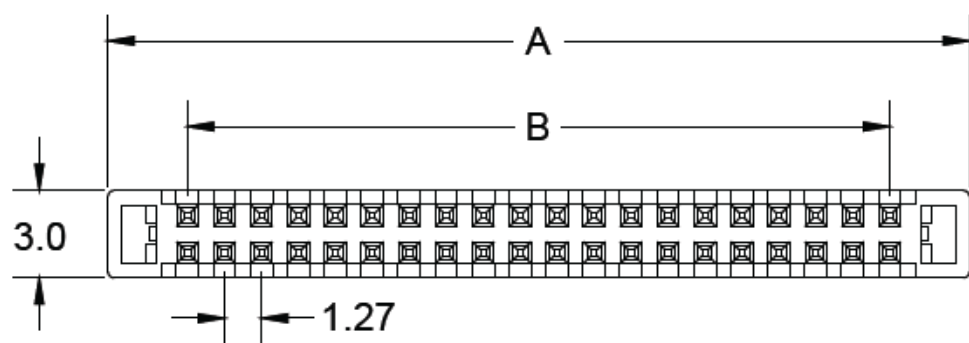
Material

Insulator : PBT, glass reinforced, rated UL 94V-0
 Contact : Phosphor Bronze

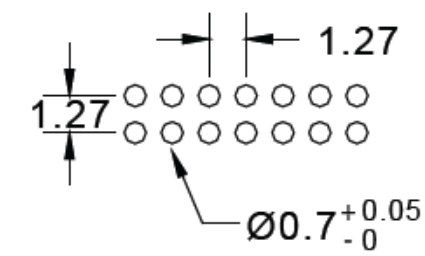
Electrical

Current Rating : 1 Amp
 Contact Resistance : 30 mΩ max.
 Insulation Resistance : 1000 MΩ min.
 Dielectric Withstanding Voltage : 250V AC for 1minute
 Operating Temperature : -40°C to +105°C

► Terminated with L03-0.635mm pitch flat ribbon cable.



POSITION	A	B
6	8.01	2.54
8	9.28	3.81
10	10.55	5.08
12	11.82	6.35
14	13.09	7.62
16	14.36	8.89
20	16.90	11.43
22	18.17	12.70
26	20.71	15.24
30	23.25	17.78
34	25.79	20.32
40	29.60	24.13
44	32.14	26.67
50	35.95	30.48
60	42.30	36.83
68	47.38	41.91
80	55.00	49.53



RECOMMENDED P.C.B LAYOUT



How to order: A32a - 1 - 2 - 3 - 4 - 5 - G(RoHS)

1.NO. OF CONTACT	2.CONTACT MATERIAL	3.CONTACT PLATING	4.PIN LENGTH	5.INSULATOR COLOR
06 08 10 12 14 16 20 22 26 30 34 40 44 50 60 68 80	B: PHOSPHOR BRONZE	T: TIN PLATED S: SELECTIVE G: GOLD FLASH A: 5u" INCH GOLD B: 10u" INCH GOLD C: 15u" INCH GOLD D: 30u" INCH GOLD	A: 3.1mm B: 1.9mm	1. BLACK THE VITAL COMPONENT

the **vital** component