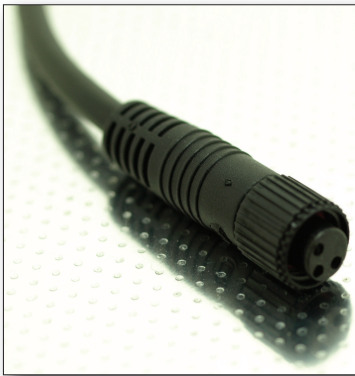
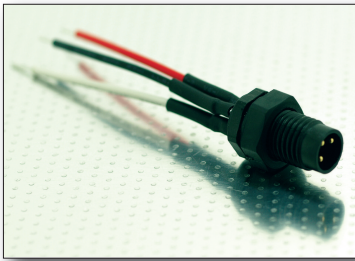
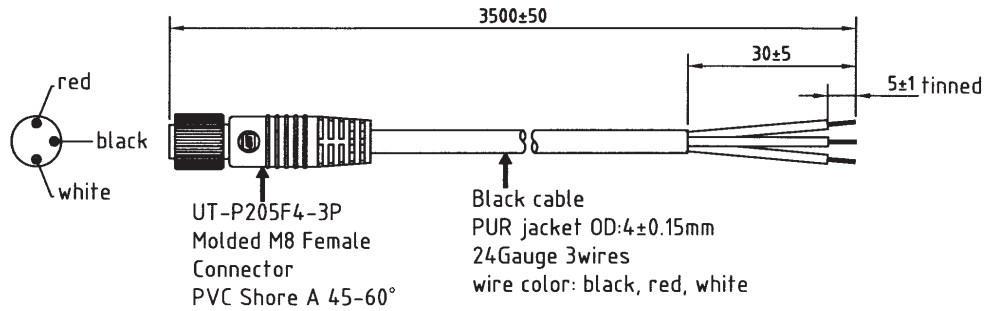


M8 All Plastic 3 Pin Sockets & Plugs IP68 Rated
UT-P209F4-3P & UT-SP209F1-3P Series

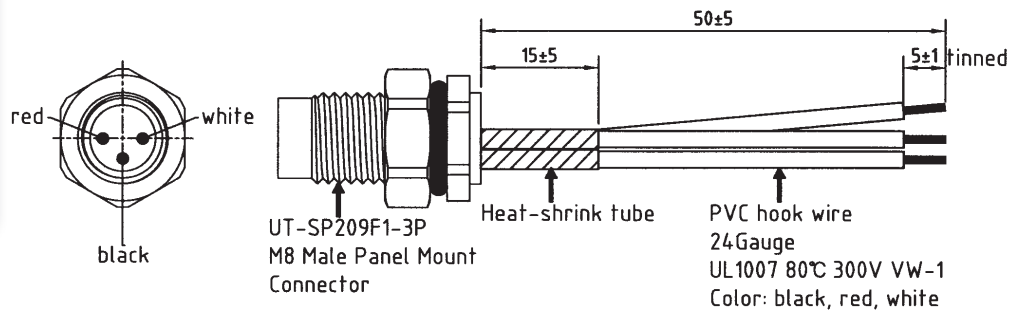
IP68 Rated Waterproof
UL file number E313348
UT-SP209F1-3P plug with 50mm wires & UT-P209F4-3P socket 3.5m cable assembly



UT-P209F4-3P



UT-SP209F1-3P



Ordering Information for

UT-SP209F1-3P plug with 50mm wires

UT-P209F4-3P socket 3.5m cable assembly

Specification for UT-xP209Fx-3P Series

Insert Material:	Black PA
Ring Nut Material:	Black PA
O-ring Material:	Black Rubber
Contact Material:	Brass (Gold flash plated)
Jacket Material:	PUR (for cable assembly only)
Current Rating:	5 Amps
Rated Voltage:	250V (UT-P209F4-3P)
Test Voltage:	500V (UT-SP209F1-3P) for 1 minute
Insulation Resistance:	10MΩ min.
Insulation Resistance:	10MΩ min.at DC 500V (UT-SP209F1-3P)
Contact Resistance:	10mΩ max
Operating Temperature:	-40°C to +105°C
Termination Type:	Solder
Locking System:	M8 Threaded
Shell protection:	IP68