



PIN FINISH:
REFLOWED MATTE TIN:
0.00152/.000060 MIN OVER
0.00127/.000050 MIN NICKEL.

PIN FINISH:
SELECT GOLD:
0.00051/.000020 MIN
SELECT MATTE TIN:
0.00254/.000100 OVER
0.00127/.000050 MIN NICKEL.

GOLD LOC G N/A
TIN LOC T OVERALL

GOLD LOC G 4.57/180
TIN LOC T 3.43/135

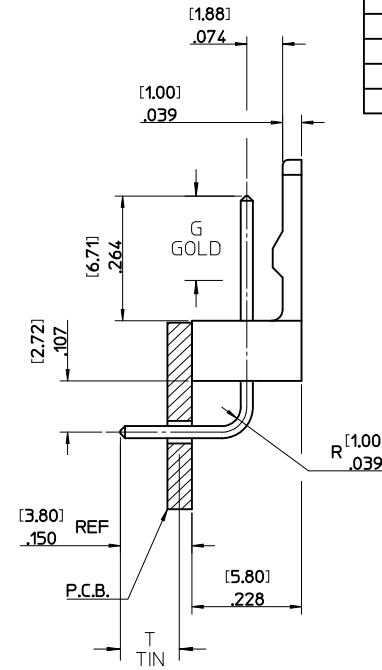
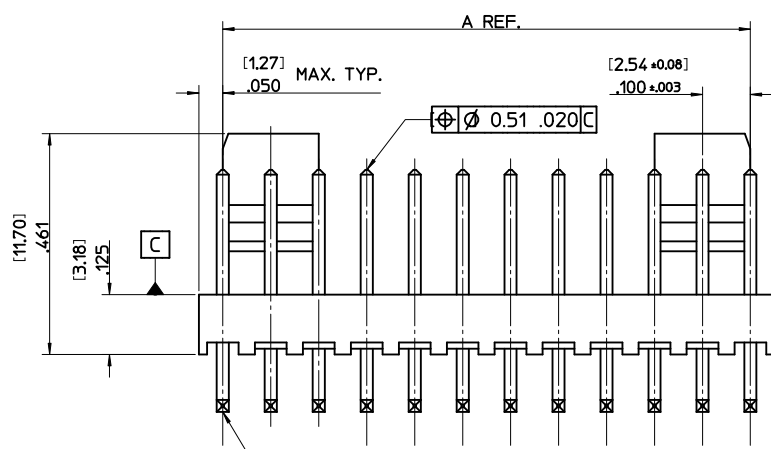
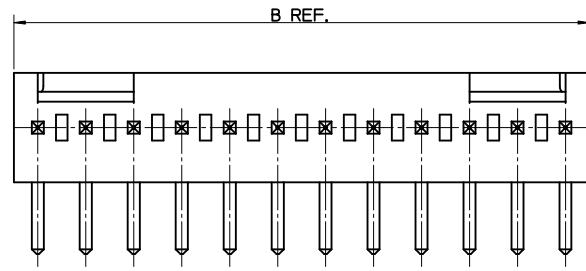
ENG. NO. PART NO.

ENG. NO. PART NO.

NO. OF CCTS	DIM. A	DIM. B
2	2.54/100	5.08/200
3	5.08/200	7.62/300
4	7.62/300	10.16/400
5	10.16/400	12.70/500
6	12.70/500	15.24/600
7	15.24/600	17.78/700
8	17.78/700	20.32/800
9	20.32/800	22.86/900
10	22.86/900	25.40/1000
11	25.40/1000	27.94/1100
12	27.94/1100	30.48/1200
13	30.48/1200	33.02/1300
14	33.02/1300	35.56/1400
15	35.56/1400	38.10/1500
16	38.10/1500	40.64/1600

AE-7395-2B	22-05-7028
AE-7395-3B	22-05-7038
AE-7395-4B	22-05-7048
AE-7395-5B	22-05-7058
AE-7395-6B	22-05-7068
AE-7395-7B	22-05-7078
AE-7395-8B	22-05-7088
AE-7395-9B	22-05-7098
AE-7395-10B	22-05-7108
AE-7395-11B	22-05-7118
AE-7395-12B	22-05-7128
AE-7395-13B	22-05-7138
AE-7395-14B	22-05-7148
AE-7395-15B	22-05-7158
AE-7395-16B	22-05-7168

AE-7395-2BG	22-12-4022
AE-7395-3BG	22-12-4032
AE-7395-4BG	22-12-4042
AE-7395-5BG	22-12-4052
AE-7395-6BG	22-12-4062
AE-7395-7BG	22-12-4072
AE-7395-8BG	22-12-4082
AE-7395-9BG	22-12-4092
AE-7395-10BG	22-12-4102
AE-7395-11BG	22-12-4112
AE-7395-12BG	22-12-4122
AE-7395-13BG	22-12-4132
AE-7395-14BG	22-12-4142
AE-7395-15BG	22-12-4152
AE-7395-16BG	22-12-4162

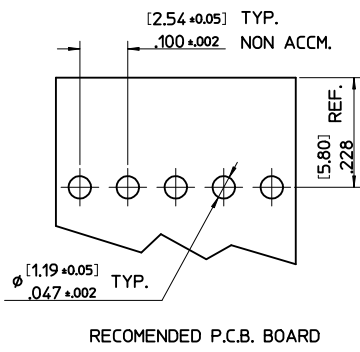


NOTES:-

- MATERIALS:
WAFER: NYLON 6/6, UL 94, V-0, NATURAL COLOUR
PIN: [0.64]/0.25 BRASS
- FINISH: SEE CHART
- PRODUCT SPECIFICATION: PS-99020-0088
- PACKAGING SPECIFICATION: PK-7478-001
- WAFERS STACKABLE END TO END
- PIN SOLDERABILITY PER MOLEX SPECIFICATION SMES-152
- PIN PUSH OUT FORCE [0.907 KG]/2.0 LBS MIN.
- PARTS TO BE FLAT WITHIN 0.005 mm/mm or .005 IN/IN
- THIS PART CONFORMS TO CLASS B REQUIREMENTS OF COSMETIC SPECIFICATION PS-45499-002.

AE-7395-N B

NO. OF CCTS. _____
 WAFER ASSY. OPTION _____
 PLATING TYPE
 BLANK: TIN
 G: SELECT GOLD



CHANGE PLATING EC NO: UCP2012-1821 DRWN:WSTROH 2011/12/22 CHKD:KIPPER 2012/01/03 APPR:FSM/TH 2012/02/02	QUALITY SYMBOLS 	GENERAL TOLERANCES (UNLESS SPECIFIED) <table border="1"> <thead> <tr> <th></th> <th>mm</th> <th>INCH</th> </tr> </thead> <tbody> <tr><td>4 PLACES</td><td>± .01</td><td>± .0004</td></tr> <tr><td>3 PLACES</td><td>± .010</td><td>± .0004</td></tr> <tr><td>2 PLACES</td><td>± 0.25</td><td>± .010</td></tr> <tr><td>1 PLACE</td><td>± 0.38</td><td>± .015</td></tr> </tbody> </table>		mm	INCH	4 PLACES	± .01	± .0004	3 PLACES	± .010	± .0004	2 PLACES	± 0.25	± .010	1 PLACE	± 0.38	± .015	DIMENSION STYLE MM/IN	SCALE 5:1	DESIGN UNITS METRIC	THIRD ANGLE PROJECTION
				mm	INCH																
4 PLACES	± .01	± .0004																			
3 PLACES	± .010	± .0004																			
2 PLACES	± 0.25	± .010																			
1 PLACE	± 0.38	± .015																			
DRAWN BY JDENNEHY 2005/05/13	DATE 2005/05/13	CHECKED BY GMC/SWEENEY 2005/05/27	DATE 2005/05/27	WAFER, R/A FRICTION LOCK (2.54)/.100 CENTERS (0.64)/.025 SQ. PIN																	
APPROVED BY JDENNEHY 2005/05/27		MATERIAL NO. SEE CHART		DOCUMENT NO. SD-7395-001	SHEET NO. 1 OF 1																
DRAFT WHERE APPLICABLE MUST REMAIN WITHIN DIMENSIONS																					
THIS DRAWING CONTAINS INFORMATION THAT IS PROPRIETARY TO MOLEX INCORPORATED AND SHOULD NOT BE USED WITHOUT WRITTEN PERMISSION																					