

15

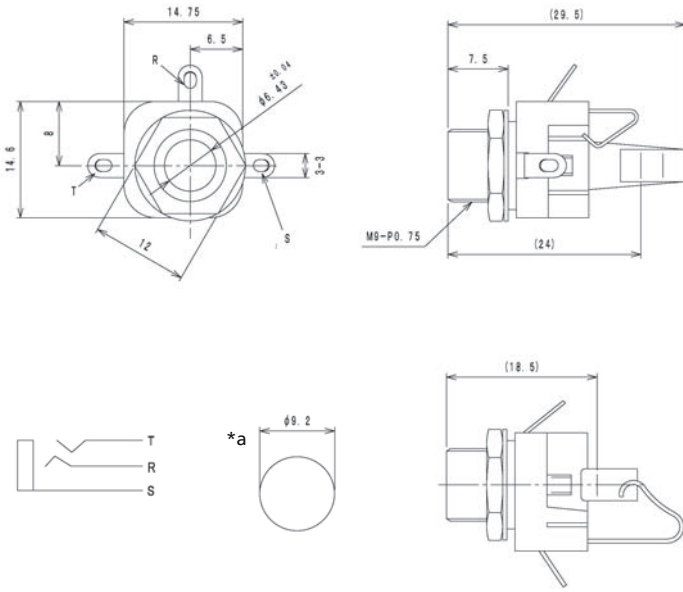
KLB 3

Jack connectors



Jack chassis socket acc. to JIS C 6560 JC63J3A, 6.35 mm, 3 poles/stereo, with solder eyes, for back side mounting

15 **KLB 3**



*a port in mounting plate

Environmental conditions

Temperature range -20 °C/+70 °C

Materials

Insulating body PC, V-2 according to UL94
 Contact Cu alloy, nickel-plated
 Hexagonal nut steel, nickel-plated
 Washer steel, nickel-plated

Mechanical data

Mating cycles ≥ 5000
 Insertion force 5-30 N
 Withdrawal force 5-30 N

Electrical data (at T_{amb} 20 °C)

Contact resistance ≤ 50 m Ω
 Rated current 2 A
 Rated voltage 34 V AC/DC
 Rated impulse voltage 500 V/60 s
 Insulation resistance ≥ 100 M Ω

Associated products

Counterparts
 ☑ KLS 3

15

KLB 3

| Designation | Pole Number | PU (Pieces) | MDQ (Pieces) |
|-------------|-------------|-------------|--------------|
| KLB 3 | 3 | 100 | 400 |

Packaging:

in bulk, in a cardboard box or a plastic bag