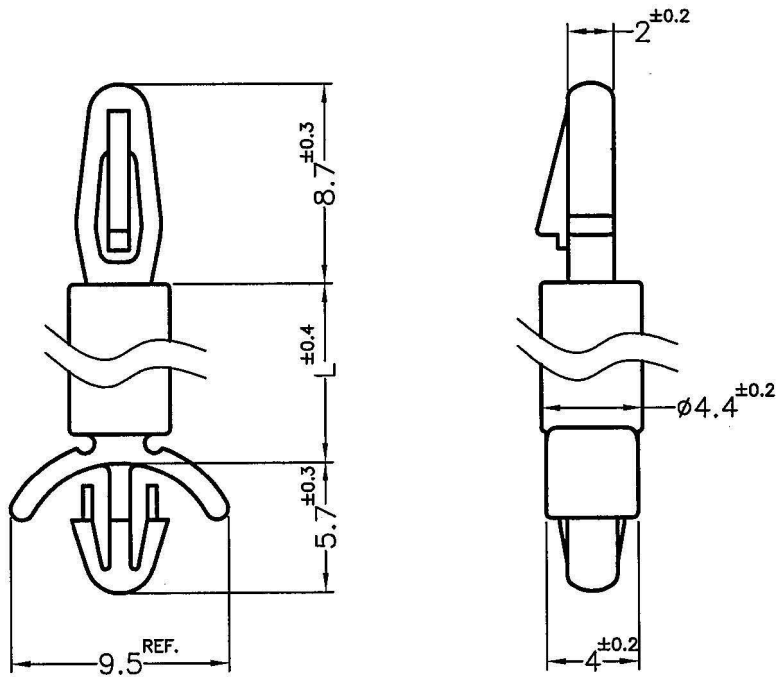


HOLE IN P.C.B $\phi 3.2$
P.C.B THICKNESS 1.6~1.7mm



PART NO.	L
LCSE-3.2	3.2
LCSE-4.8	4.8
LCSE-6.4	6.4
LCSE-7.9	7.9
LCSE-9.5	9.5
LCSE-11.1	11.1
LCSE-12.7	12.7
LCSE-14.3	14.3
LCSE-15.9	15.9
LCSE-17	17.0

HOLE IN P.C.B $\phi 3.0 \sim \phi 3.2$
P.C.B THICKNESS 0.8~2.0mm

NOTE:MADE OF EQUIVALENT MATERIAL.

TOBY ELECTRONICS LTD
sales@toby.co.uk | toby.co.uk



PROPRIETARY AND CONFIDENTIAL THE INFORMATION CONTAINED IN THIS DRAWING IS THE SOLE PROPERTY OF TOBY ELECTRONICS MANUFACTURING PARTNER. ANY REPRODUCTION IN PART OR AS A WHOLE WITHOUT THE WRITTEN PERMISSION OF TOBY ELECTRONICS MANUFACTURING PARTNER IS STRICTLY PROHIBITED DO NOT SCALE DRAWING	DATE	2016.06.24	TITLE	SPACER SUPPORT		DWG. NO.	PART NO.	
	DRAWN	Y.C.P	MATERIAL	NYLON 66 UL94V-2		LCSE-	SEE ABOVE	
	CHECKED	林祺翔	COLOR	NATURAL	FINISH	SIZE	SPEC. DWG.	REV
	APPROVED	Kang	UNLESS OTHERWISE SPECIFIED TOLERANCE: SEE ABOVE		A4	UNIT		C
						SCALE: 3:1	mm	SHEET 1 OF 1