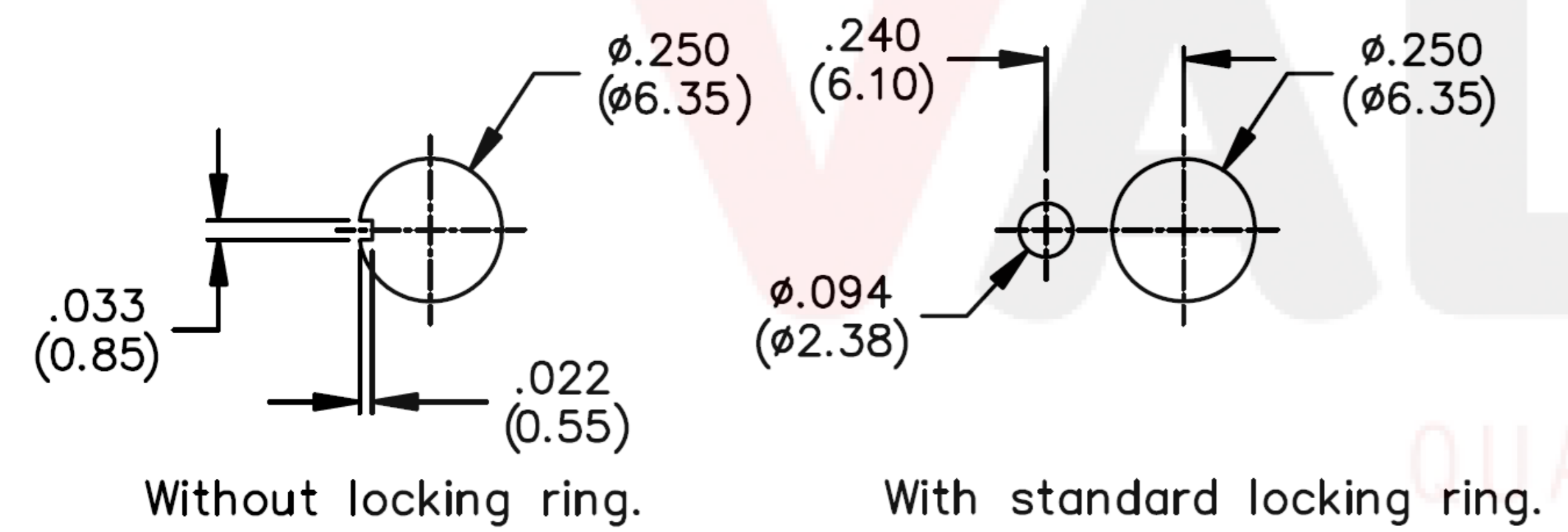
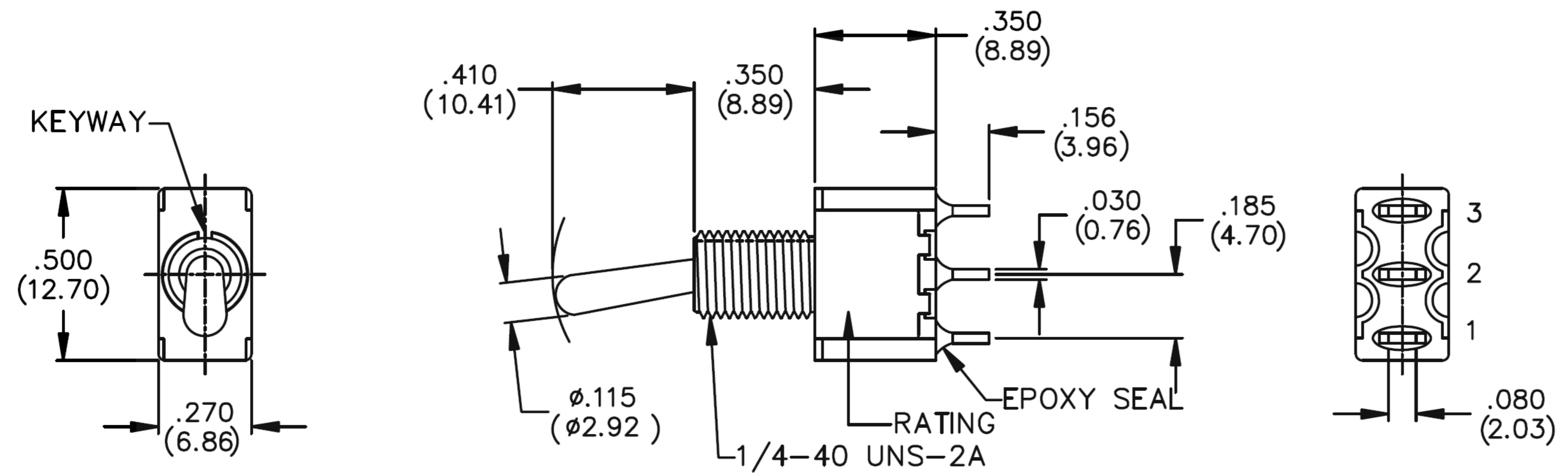
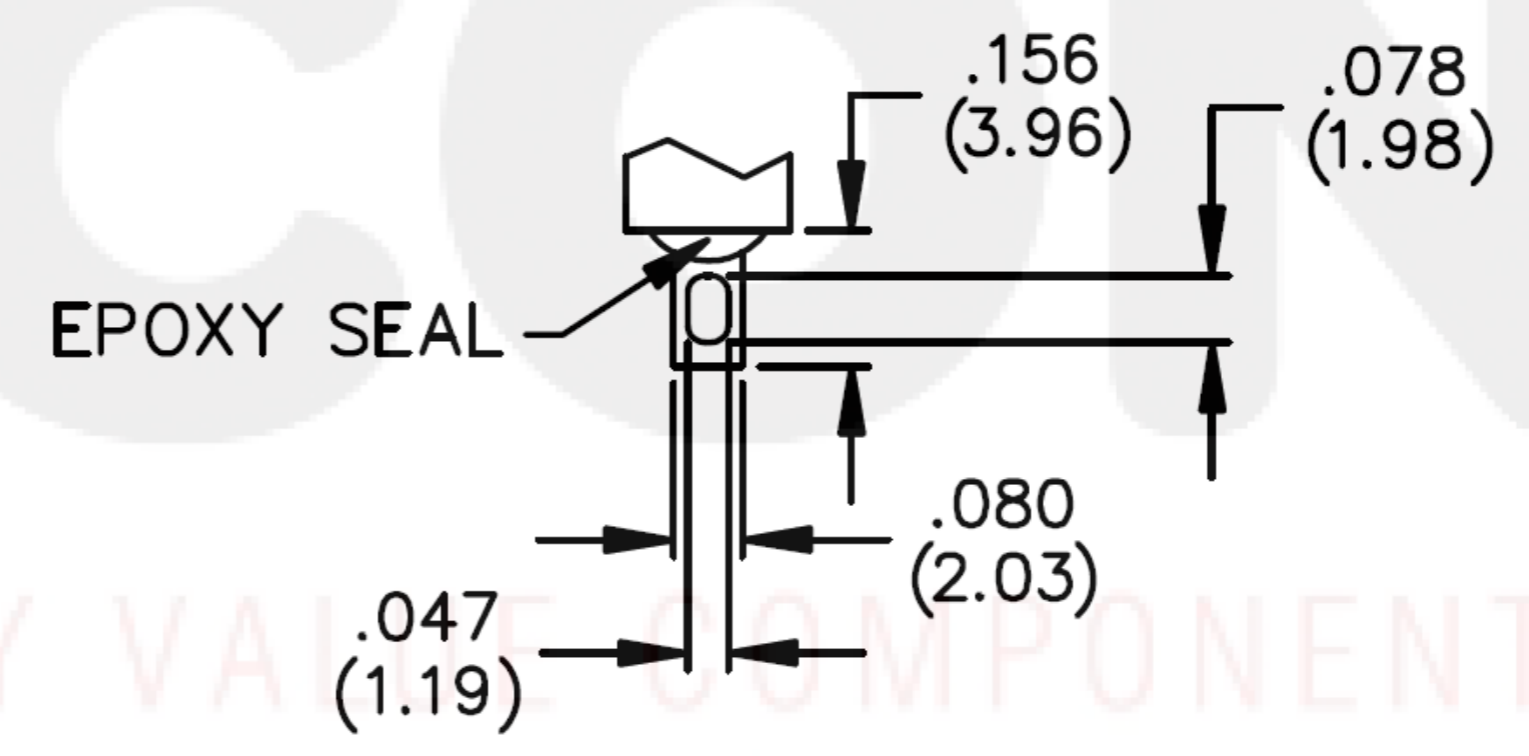


REV. 更改	DESCRIPTION 說明	ENG. 修改人	APPROVE 審核



PANEL MOUNTING



SOLDER LUG

MODEL NO.	SWITCH POSITION		
	SP-1	ON	NONE
Term. Comm.	2-3	OPEN	2-1

- SPECIFICATIONS:**
- MOVABLE CONTACT: Copper alloy, silver plated
  - TERMINALS: Copper alloy, silver plated
  - RATING: 5Amps with resistive load @ 120VAC or 28VDC  
2Amps with resistive load @ 250VAC
  - CONTACT RESISTANCE: 10m-ohms max. initial
  - INSULATION RESISTANCE: 1,000M-ohms min.
  - DIELECTRIC STRENGTH: 1,000V RMS min @ sea level
  - MECHANICAL LIFE: 40,000 make and break cycles.
  - OPERATING TEMPERATURE: -40°C to +85°C

THESE DRAWINGS AND SPECIFICATIONS ARE THE PROPERTY OF TOBY ELECTRONICS LTD MANUFACTURING PARTNER AND SHALL NOT BE REPRODUCED WITHOUT THE PRIOR WRITTEN CONSENT OF TOBY ELECTRONICS LTD MANUFACTURING PARTNER.

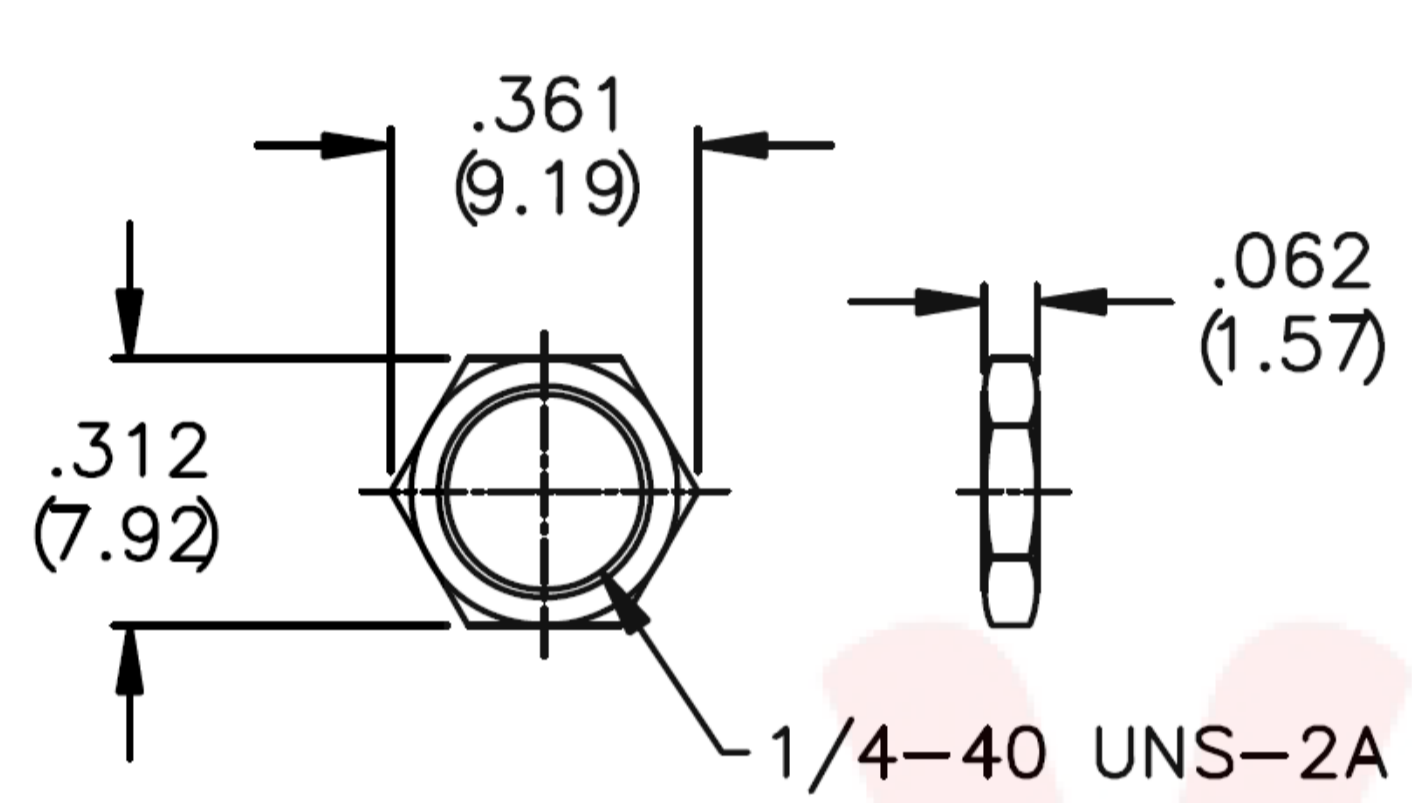
UNLESS OTHERWISE SPECIFIED DIMENSIONS ARE IN MILLIMETERS ANGULAR TOLERANCE: ±1.0°

DIMENSIONS	TOLERANCE
0.00 TO 10.00mm	±0.20mm
10.01 TO 20.00mm	±0.25mm
20.01 TO 30.00mm	±0.30mm
30.01 +	±0.40mm

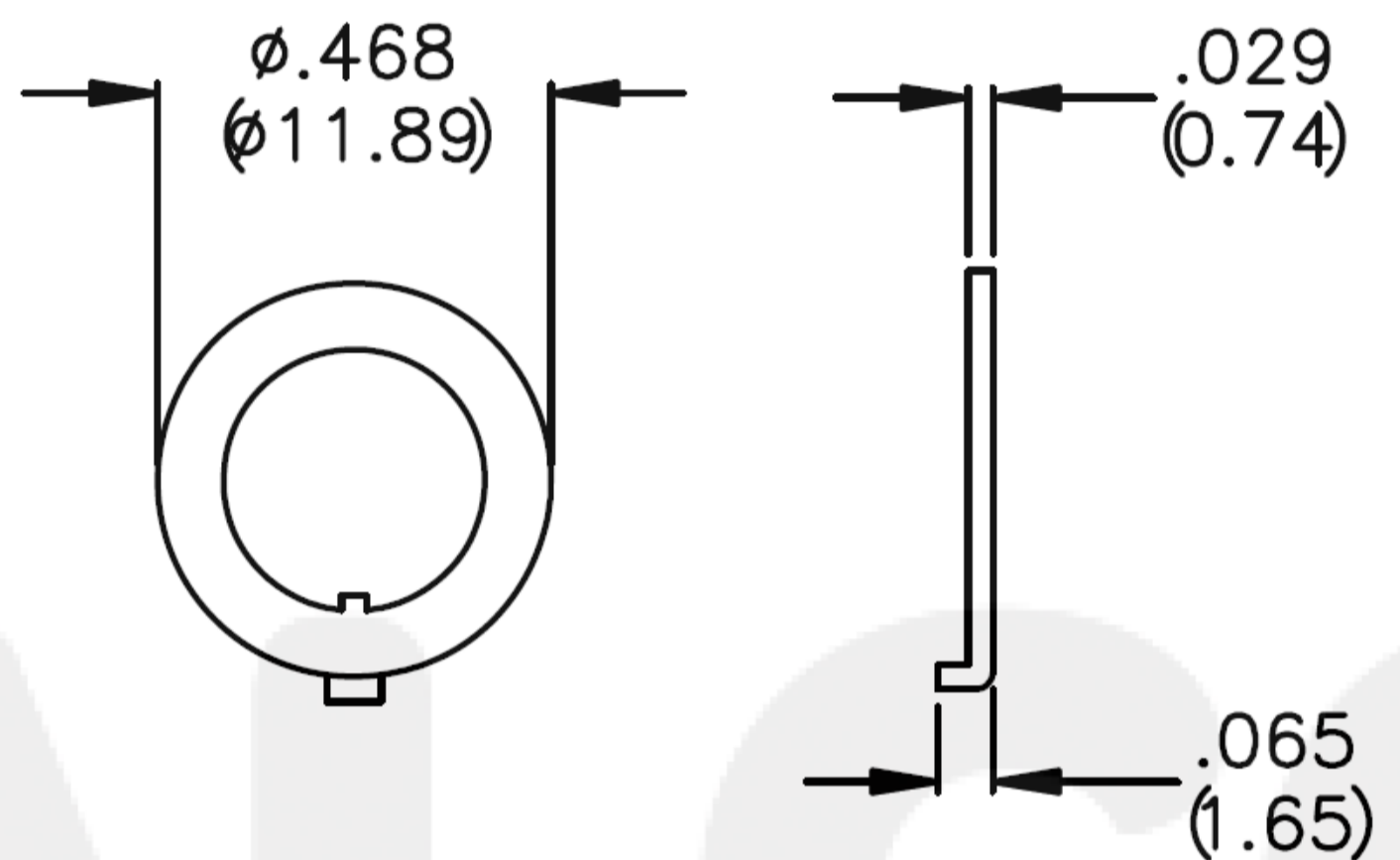
MATERIAL

<b>TOBY ELECTRONICS LTD</b> sales@toby.co.uk   toby.co.uk			
USED 用途	100	APPD. 審核	Amy 2021/04/15
FINISH 處理		CHKD. 校對	Amy 2021/04/15
SCALE 比例	/	UNIT. 單位	in(mm)
DR. 製圖	Helen 2021/04/15		
TITLE 名稱	TOGGLE SWITCH		
DWG NO. 圖號	VST-SPDT-OO-PM		SIZE 圖紙
FILE NAME 檔案名稱	V-100-SP1-T100B1M1QE	SHEET 張	1 / 2
REV. 更改			1

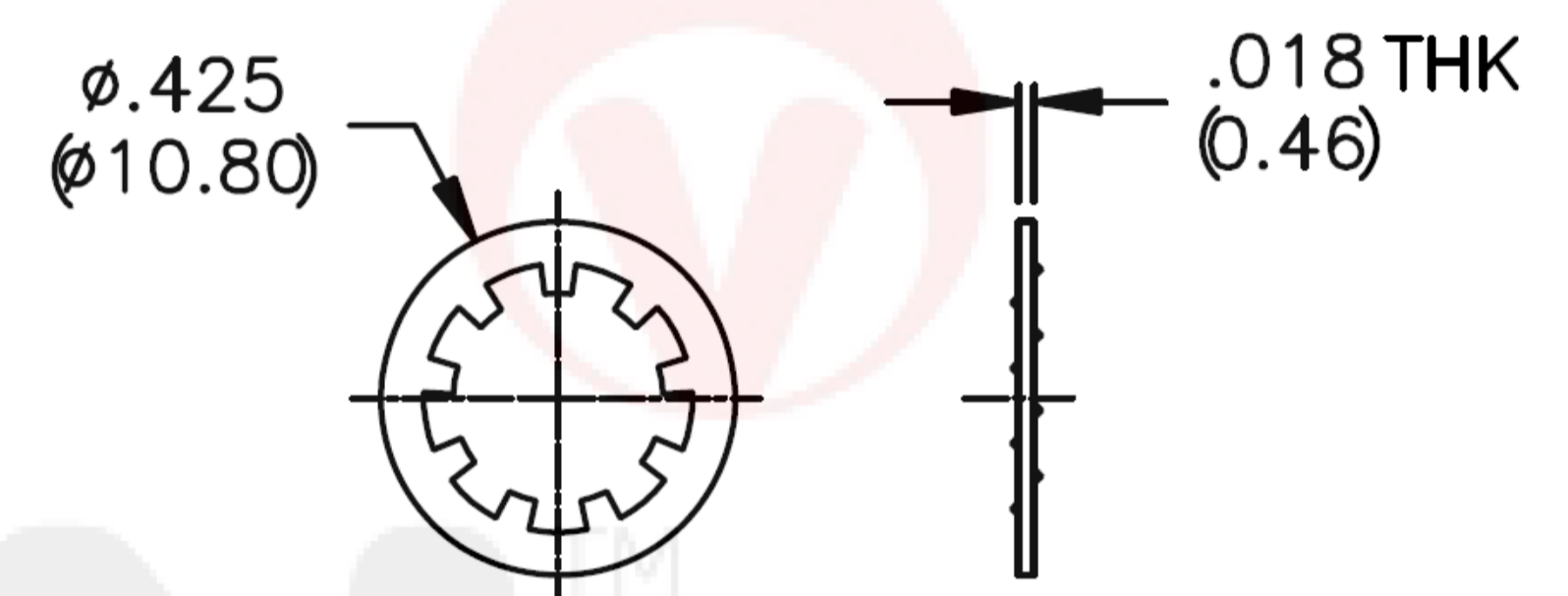
REV. 更改	DESCRIPTION 說明	ENG. 修改人	APPROVE 審核



UNT \* 2PCS



LOCKING RING \* 1PC

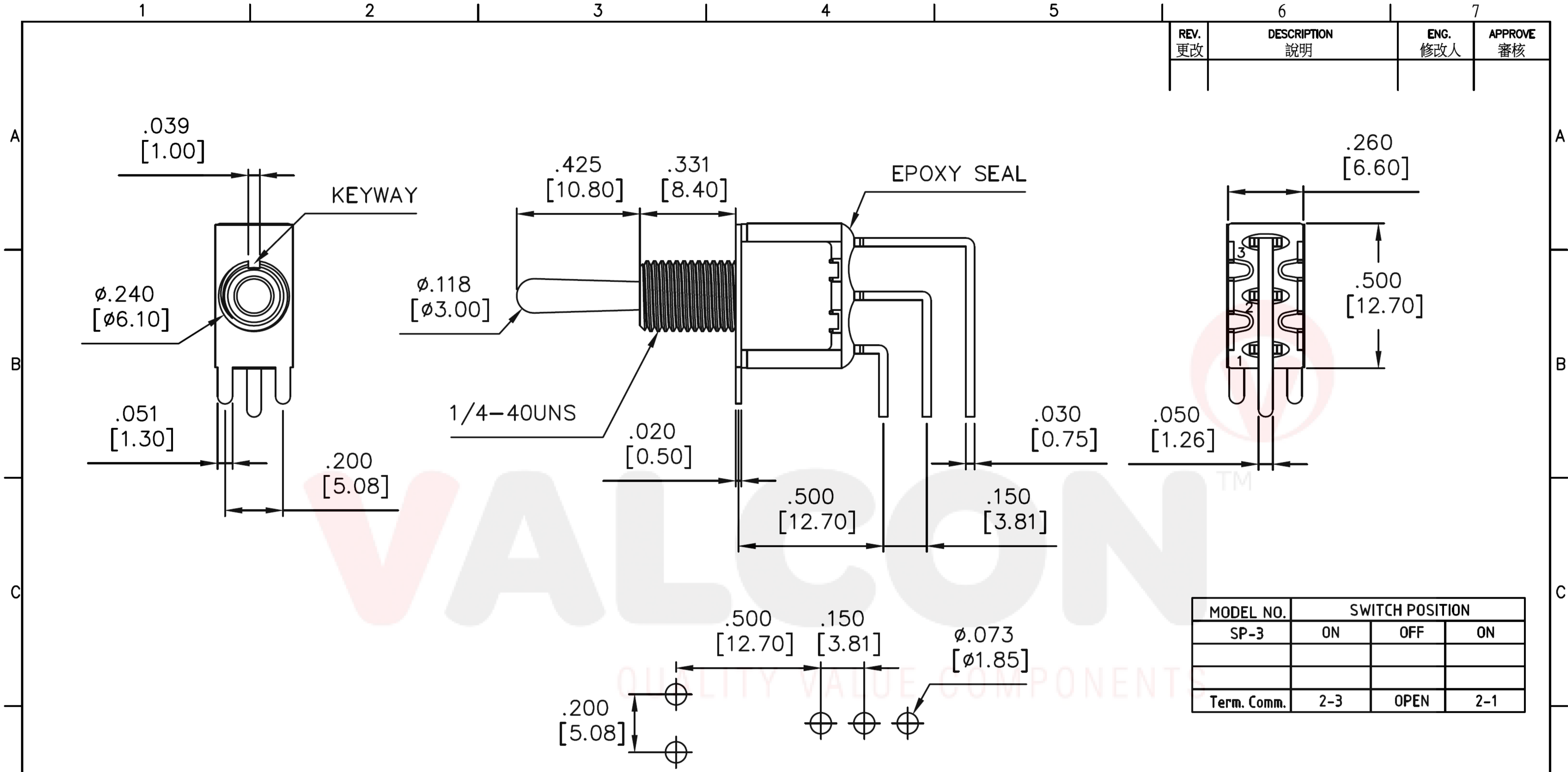


LOCKING WASHER \* 1PC

VALCON QUALITY VALUE COMPONENTS

THESE DRAWINGS AND SPECIFICATIONS ARE THE PROPERTY OF TOBY ELECTRONICS LTD MANUFACTURING PARTNER AND SHALL NOT BE REPRODUCED WITHOUT THE PRIOR WRITTEN CONSENT OF TOBY ELECTRONICS LTD MANUFACTURING PARTNER.		<b>TOBY ELECTRONICS LTD</b> sales@toby.co.uk   toby.co.uk											
UNLESS OTHERWISE SPECIFIED DIMENSIONS ARE IN MILLIMETERS ANGULAR TOLERANCE: $\pm 1.0^\circ$		USED 用途 100	APPD. 審核 Amy 2021/04/15										
<table border="1"> <thead> <tr> <th>DIMENSIONS</th> <th>TOLERANCE</th> </tr> </thead> <tbody> <tr> <td>0.00 TO 10.00mm</td> <td><math>\pm 0.20</math>mm</td> </tr> <tr> <td>10.01 TO 20.00mm</td> <td><math>\pm 0.25</math>mm</td> </tr> <tr> <td>20.01 TO 30.00mm</td> <td><math>\pm 0.30</math>mm</td> </tr> <tr> <td>30.01  </td> <td><math>\pm 0.40</math>mm</td> </tr> </tbody> </table>		DIMENSIONS	TOLERANCE	0.00 TO 10.00mm	$\pm 0.20$ mm	10.01 TO 20.00mm	$\pm 0.25$ mm	20.01 TO 30.00mm	$\pm 0.30$ mm	30.01	$\pm 0.40$ mm	FINISH 處理	CHKD. 校對 Amy 2021/04/15
DIMENSIONS	TOLERANCE												
0.00 TO 10.00mm	$\pm 0.20$ mm												
10.01 TO 20.00mm	$\pm 0.25$ mm												
20.01 TO 30.00mm	$\pm 0.30$ mm												
30.01	$\pm 0.40$ mm												
MATERIAL		SCALE 比例 /	UNIT. 單位 in(mm)										
		DR. 製圖 Helen 2021/04/15											
		TITLE 名稱 TOGGLE SWITCH											
		DWG NO. 圖號 VST-SPDT-OO-PM	SIZE 圖紙 A4										
		FILE NAME 檔案名稱 V-100-SP1-T100B1M1QE	SHEET 張 2 / 2										
		REV. 更改 1											

REV. 更改	DESCRIPTION 說明	ENG. 修改人	APPROVE 審核



MODEL NO.	SWITCH POSITION		
	SP-3	ON	OFF
Term. Comm.	2-3	OPEN	2-1

**SPECIFICATIONS:**

- MOVABLE CONTACT: Copper alloy, silver plated
- TERMINALS: Copper alloy, silver plated
- RATING: 5Amps with resistive load @ 125VAC or 28VDC  
2Amps with resistive load @ 250VAC
- CONTACT RESISTANCE: 10m-ohms max. initial
- INSULATION RESISTANCE: 1,000M-ohms min.
- DIELECTRIC STRENGTH: 1,500V RMS @ sea level
- ELECTRICAL LIFE: 50,000 make and break cycles at full load
- OPERATING TEMPERATURE: -30°C to 85°C

P.C. MOUNTING

THESE DRAWINGS AND SPECIFICATIONS ARE THE PROPERTY OF TOBY ELECTRONICS LTD MANUFACTURING PARTNER AND SHALL NOT BE REPRODUCED WITHOUT THE PRIOR WRITTEN CONSENT OF TOBY ELECTRONICS LTD MANUFACTURING PARTNER.

DIMENSIONS	TOLERANCE
0.00 TO 10.00mm	±0.20mm
10.01 TO 20.00mm	±0.25mm
20.01 TO 30.00mm	±0.30mm
30.01	±0.40mm

**MATERIAL**

<b>TOBY ELECTRONICS LTD</b> sales@toby.co.uk   toby.co.uk			
USED 用途 100	APPD. 審核 Andy 2005/11/22		
FINISH 處理	CHKD. 校對 Andy 2005/11/22		
SCALE 比例 2 / 1	UNIT 單位 in(mm)	DR. 製圖 Amy 2005/11/22	
TITLE 名稱 TOGGLE SWITCH		☐ ⊕	
DWG NO. 圖號 VST-SPDT-OO-PM-RA		SIZE 圖紙 A4	
FILE NAME 檔案名稱 V-100-SP3-T100-B1M7QE	SHEET 張 1 / 1	REV. 更改 2	