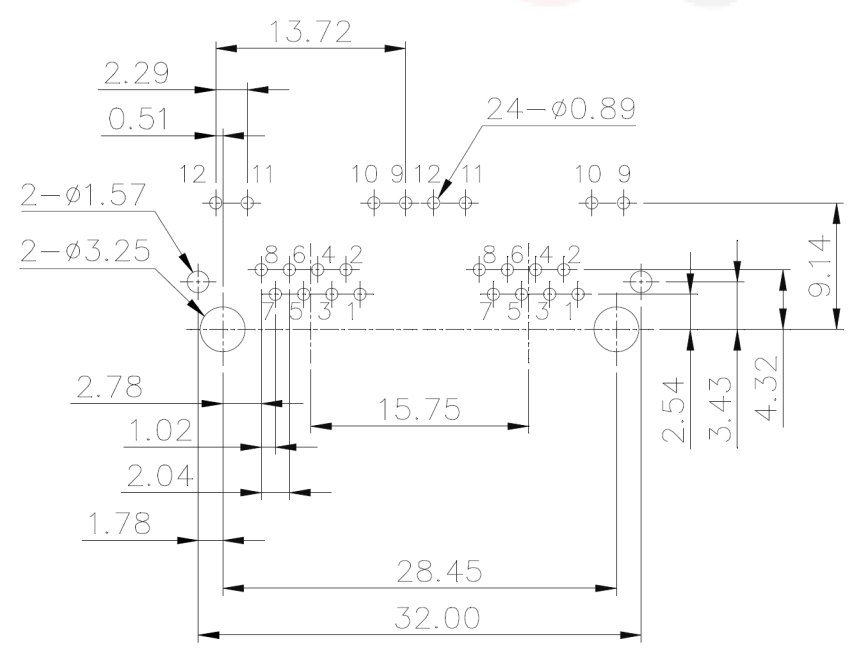
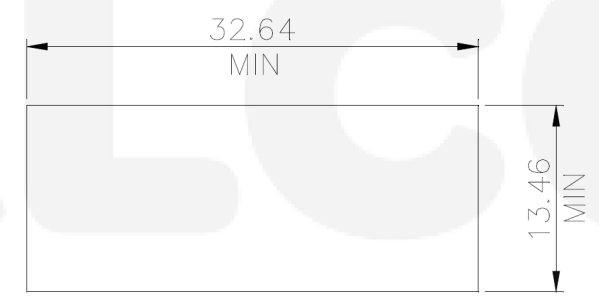
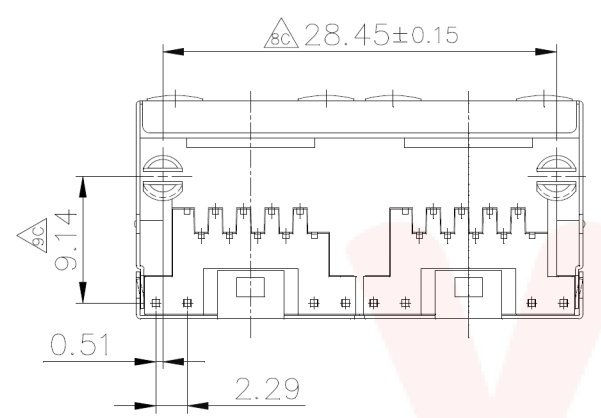
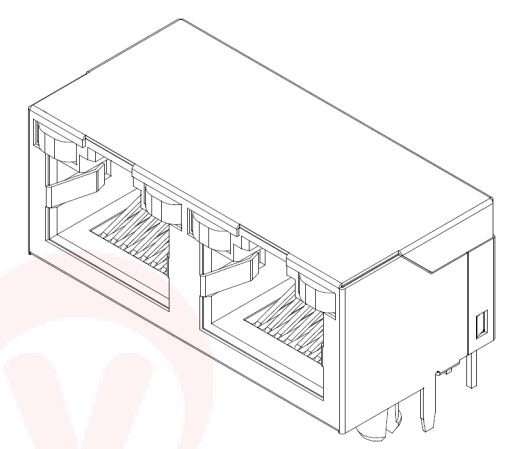
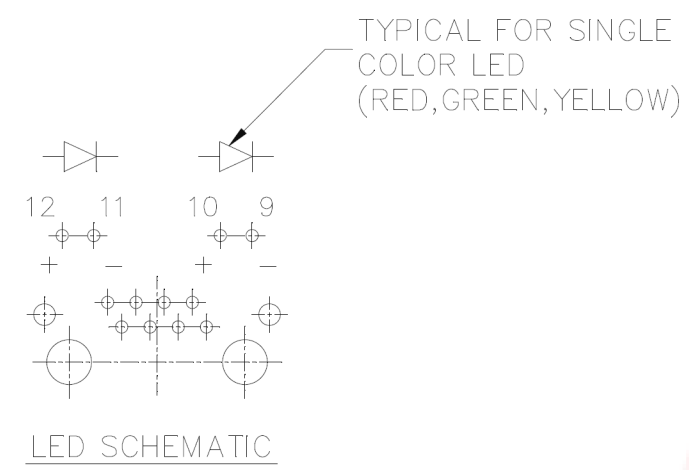
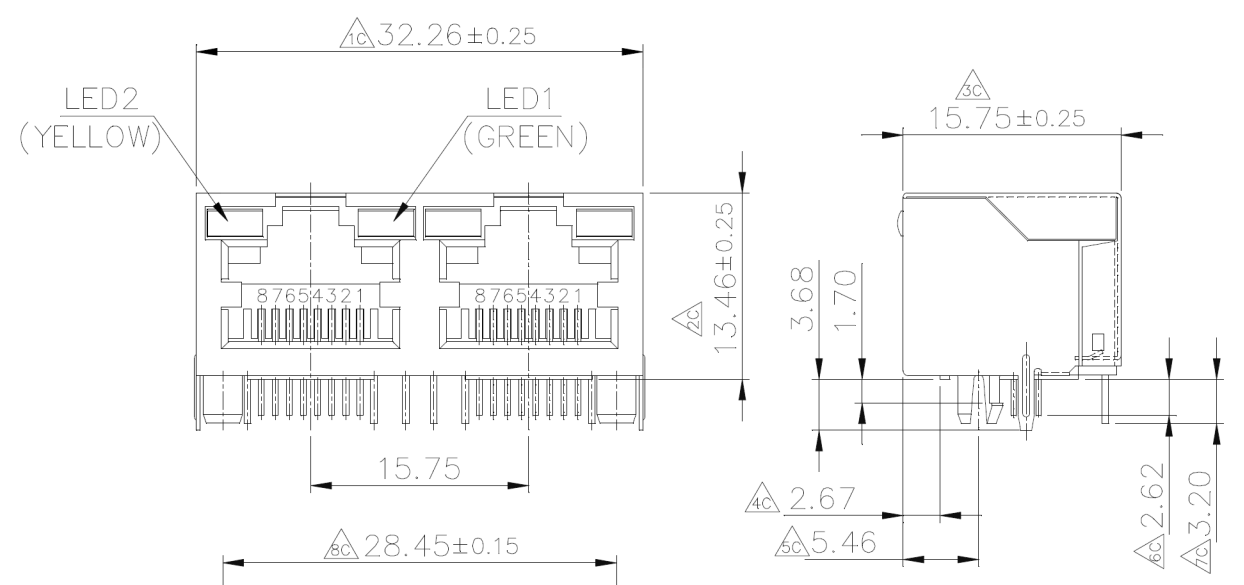


RoHS COMPLIANT



P.C.B LAYOUT/TOP VIEW

MATERIALS:

PLASTIC HOUSING: ENGINEERING THERMOPLASTIC
FLAMMABILITY RATING UL 94V-0.

CONTACTS: PHOSPHOR BRONZE

PLATING: 6u" GOLD PLATING OVER NICKEL IN CONTACT,
TIN PLATING OVER NICKEL IN SOLDER AREA.

SHIELD: BRASS PLATING NICKEL ALLOY.

?凡標註記號者為品管管制尺寸。

設計 DR. Kathy Chung 2012/06/27	核准 APPD. Jerry 2012/06/27	容許公差 TOLERANCE .XXX ±0.10 .XX ±0.25 .X ±0.38 X ±0.50 AND 版。±3°	品名 ARTICLE 3046 2PORT 8P8C JACK W/LED(Y-G)
DWG NO. 3046205603			PART NO. 3046S-2-8810
TOBY ELECTRONICS LTD sales@toby.co.uk toby.co.uk			單位 UNIT mm 比例 SCALE 2/1 張數 SHEET 1/1 版本 REV. D