



520 Park East Blvd., New Albany, IN 47150 U.S.A
(812)-944-6733 / 1-800-SAMTEC9

Product Change Notification

1. ECR #: 231493
Notification #: 716

2. Date of Announcement: February 06, 2024

3. Series:

- QRM8 - - .8mm (.0315") Q Rate™ Terminal with Edge Rate Contacts

4. Part #'s Affected

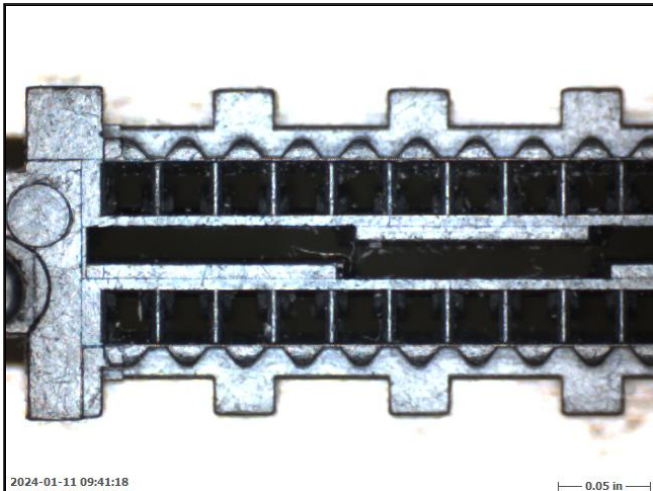
- QRM8-026-02.0-DV-01
- QRM8-026-02.0-DV-01-GP
- QRM8-026-02.0-DV-02
- QRM8-026-02.0-DV-02-GP

5. Description of Change:

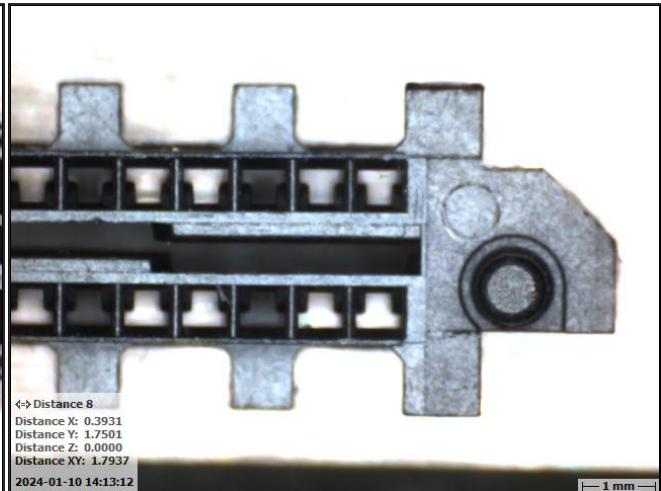
The voids along the bottom side of the component body have been made larger. This notice supersedes and corrects the retracted notice #714.

6. Method of Identifying Change

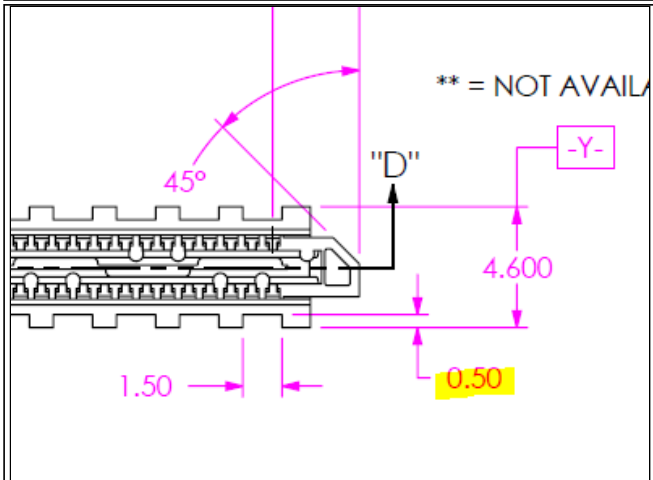
The new revision component body has larger voids along the bottom of it then the old revision component body.



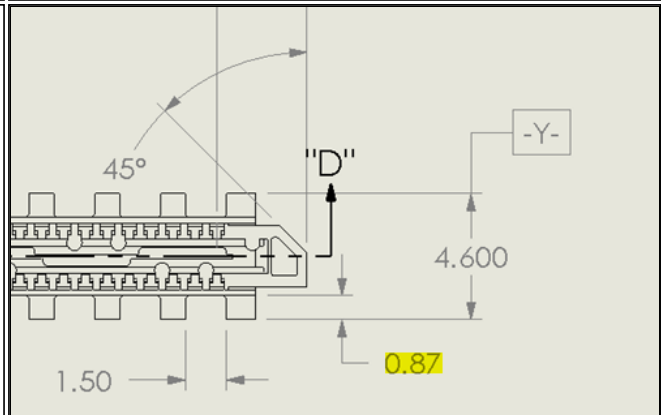
Smaller voids on old revision



Voids are larger on new revision



Old revision voids are 0.50 in depth.



New revision voids are 0.87 in depth.

7. Reason for Change:

This change was intended to improve moldflow and flatness of the body resulting in improved coplanarity of the assembled connector.

8. Impact of Change on Form, Fit, or Function:

- Form - This changes the voids along the bottom of the body in the assembled connector

9. Projected Implementation Date: May 06, 2024

Disclaimer

Please review the change notification details listed above for specific information regarding the nature and timing of the change. While Samtec has taken precautions to ensure this change is not detrimental to your application, each application can be unique and therefore customers should consider the effect of the change on their specific application.

Samtec has taken efforts to ensure that all users of this product who have requested change notifications have been informed. However, you should assume that this is the only notification that will be sent and you, as the recipient, must determine how to communicate this information to your organization(s) and customer(s) as appropriate. If you wish to opt out of receiving Samtec Product Change Notification emails, please contact CustomerECN@samtec.com. Due to technical progress, specifications are subject to change without notification and it is recommended to provide an alternative contact when opting out.

Please contact Samtec at CustomerECN@samtec.com for any questions related to this change.