

24

2410 12

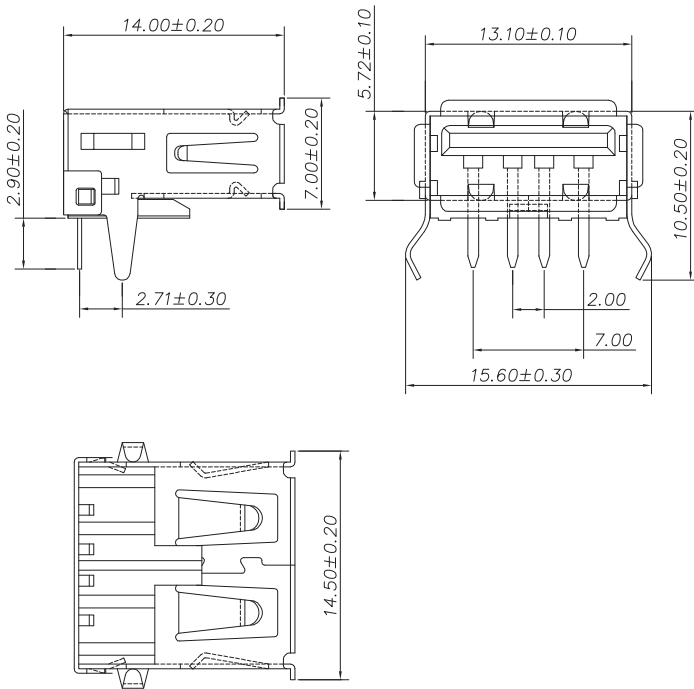
USB and IEEE 1394 connectors



USB 2.0 chassis socket type A, angular version, for printed circuit boards

24

2410 12



Environmental conditions

Temperature range -55 °C/+85 °C

Materials

Insulating body PBT, V-0 according to UL94
Contact spring CuZn, gold-plated
Housing Steel, nickel-plated

Mechanical data

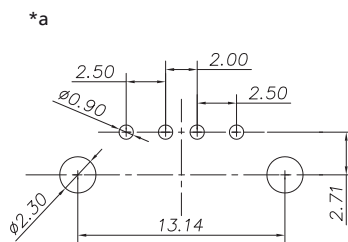
Mating cycles 1500
Insertion force ≤ 35 N
Withdrawal force ≥ 10 N

Electrical data (at T_{amb} 20 °C)

Contact resistance ≤ 30 mΩ
Rated current ≤ 1 A
Rated voltage 30 V DC
Rated impulse voltage 500 V
Insulation resistance ≥ 100 MΩ

Associated products

Counterparts
☞ 2410 07 ☞ 2410 08 ☞ 2480
☞ 2482



*a printed circuit board layout

24

2410 12

Designation	Pole Number	PU (Pieces)	MDQ (Pieces)
2410 12	4	100	500

Packaging:
in a tray