

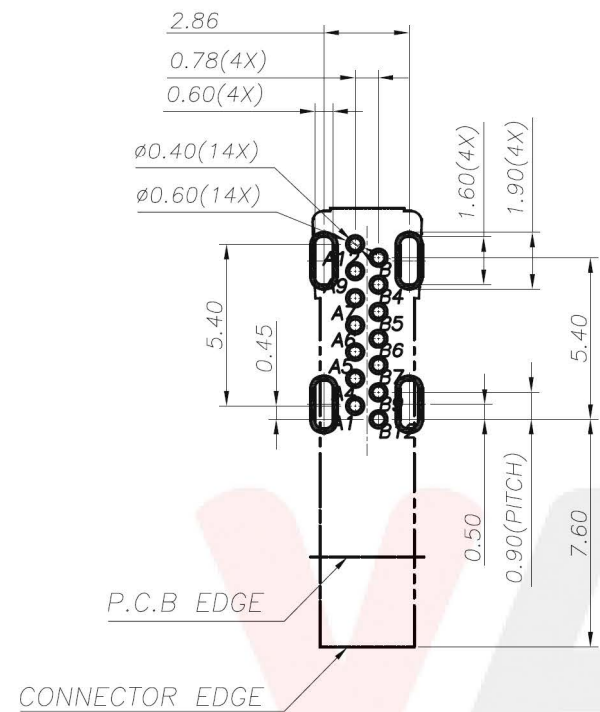
NOTE:

- MATERIAL SPECIFICATION:
  - HOUSING: LCP, UL94 V-0.
  - CONTACTS: COPPER ALLOY (C1814)
  - MID PLATE: STAINLESS STEEL (SUS301)
  - FRONT SHELL: STAINLESS STEEL (SUS304)
  - EMI PLATE: STAINLESS STEEL (SUS304)
- PLATING SPECIFICATION:
  - CONTACTS:
    - Ni 50u" MIN. UNDER PLATED OVER ALL.
    - Au PLATED ON THE FUNCTIONAL AREA OF CONTACT. (GOLD PLATING THICKNESS FOLLOW THE P/N)
    - PLATING SPECIFICATIONS OF THE SOLDER AREA FOLLOW THE P/N
  - FRONT SHELL:
    - Ni 30u" MIN. UNDER PLATED OVER ALL.
  - MID PLATE & EMI PLATE:
    - CLEAR ONLY
- MECHANICAL PERFORMANCE,
  - INSERTION FORCE: 0.5~2.0kgf.
  - REMOVAL FORCE: 0.8kgf~2.0kgf.
  - DURABILITY: 10000 CYCLES.
- ELECTRICAL PERFORMANCE,
  - CURRENT RATING: 5.0A  
VOLTAGE RATING: 5.0V
  - LLCR:
    - VBUS & GND PINS AND OTHER PINS: 40mΩ/PIN MAX.
    - SHIELD: 50mΩ/MAX.
    - LLCR MAX. CHANGE OF ALL PINS: 10mΩ.
  - INSULATION RESISTANCE: 100MΩ MIN
  - DIELECTRIC WITHSTAND VOLTAGE, AC 100V FOR 1 MINUTE.
- ENVIRONMENTAL PERFORMANCE:
  - OPERATING TEMPERATURE: -25°C~+85°C.
- IR REFLOW:
  - THE PEAK TEMPERATURE ON THE BOARD SHALL BE MAINTAINED FOR 10 SECONDS AT 260°C.

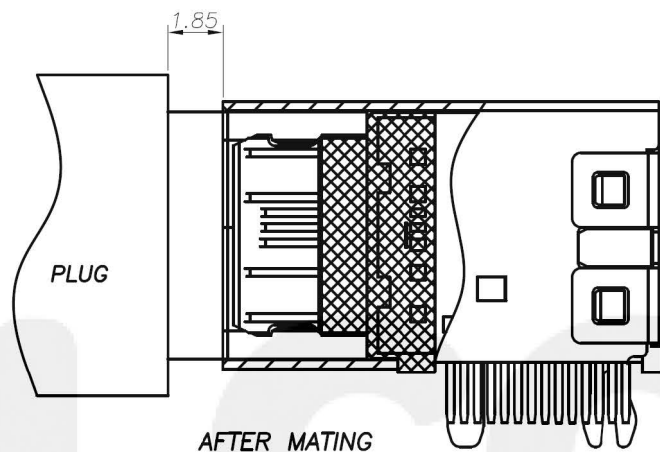
TOBY ELECTRONICS LTD  
 sales@toby.co.uk | toby.co.uk

REV	DESCRIPTION.	APPD.	Date
A0	RELEASED	Allen	2019-10-23

FILE NO : AUC08	TITLE 圖名	USB3.1 TYPE C 14P FEMALE 側插		UNIT 單位	mm inch	
TOLERANCE(公差): 0.000 mm ± 0.075 mm 0.00 mm ± 0.15 mm 0.0 mm ± 0.25 mm	PART NO. 料號	<b>VUSBC-14P-S-FT-TB</b>		SCALE 比例	1:1	
	DRAWN BY 製圖	Ben	DATE 日期	2019-10-23	REV. 版本	A.0
	CHECKED BY 審核	Allen	DATE 日期	2019-10-23		



RECOMMENDED PCB LAYOUT(TOP VIEW)  
THICKNESS 1.6±0.10MM;DEFAULT TOLERANCE:±0.05



USB TYPE-C PIN ASSIGNMENTS

PIN NUMBER	SIGNAL NAME	PIN NUMBER	SIGNAL NAME
A1	GND	B12	GND
A4	VBUS	B9	VBUS
A5	CC1		
A6	Dp1	B7	Dn2
A7	Dn1	B6	Dp2
		B5	CC2
A9	VBUS	B4	VBUS
A12	GND	B1	GND

TOBY ELECTRONICS LTD  
sales@toby.co.uk | toby.co.uk

AC	REV	RELEASED	Allen	2019-10-23
A	B	DESCRIPTION.	APPD.	Date

FILE NO : AUC08	TITLE 圖名	USB3.1 TYPE C 14P FEMALE 側插		UNIT 單位	mm inch
TOLERANCE(公差): 0.000 mm ± 0.075 mm 0.00 mm ± 0.15 mm 0.0 mm ± 0.25 mm	PART NO. 料號	<b>VUSBC-14P-S-FT-TB</b>		SCALE 比例	1:1
	DRAWN BY 製圖	Ben	DATE 日期	2019-10-23	REV. 版本
	CHECKED BY 審核	Allen	DATE 日期	2019-10-23	⊕