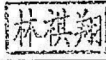
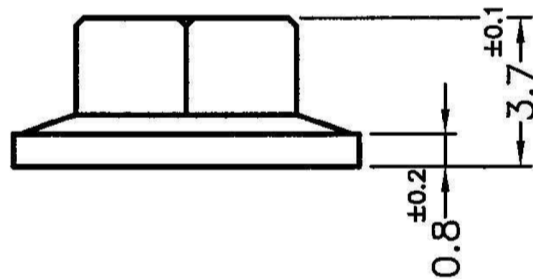
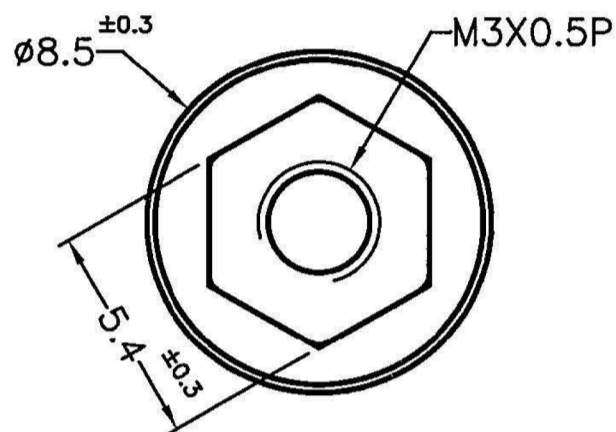


NOTE:MADE OF EQUIVALENT MATERIAL.

TOBY ELECTRONICS LTD

SALES@TOBY.CO.UK

PROPRIETARY AND CONFIDENTIAL THE INFORMATION CONTAINED IN THIS DRAWING IS THE SOLE PROPERTY OF TOBY ELECTRONICS MANUFACTURING PARTNER. ANY REPRODUCTION IN PART OR AS A WHOLE WITHOUT WRITTEN PERMISSION OF TOBY ELECTRONICS MANUFACTURING PARTNER IS STRICTLY PROHIBITED	DATE	TITLE		DWG. NO.	PART NO.	
	2005.10.26	NUT		MO-3	MO-3	
	DRAWN	MATERIAL				
	KEN	NYLON 66 UL94V-2				
CHECKED	COLOR	FINISH	SIZE	SPEC. DWG.	REV	
	NATURAL		A4		A	
APPROVED	UNLESS OTHERWISE SPECIFIED TOLERANCE:		SCALE: 4:1	UNIT	SHEET 1 OF 1	
DO NOT SCALE DRAWING	SEE ABOVE			mm		



NOTE: 1. THE COLOR BATCH TEST REPORT IS ONLY FOR FIRST LOT TEST.
 2. MADE OF EQUIVALENT MATERIAL.

TOBY ELECTRONICS LTD

SALES@TOBY.CO.UK

PROPRIETARY AND CONFIDENTIAL THE INFORMATION CONTAINED IN THIS DRAWING IS THE SOLE PROPERTY OF TOBY ELECTRONICS MANUFACTURING PARTNER. ANY REPRODUCTION IN PART AS A WHOLE WITHOUT WRITTEN PERMISSION OF TOBY ELECTRONICS MANUFACTURING PARTNER IS STRICTLY PROHIBITED.	DATE	TITLE		DWG. NO.	PART NO.	
	2021.01.08	NUT		MO-3-3.7	MO-3-3.7(B)	
	DRAWN	MATERIAL		SIZE	SPEC. DWG.	REV
	L.K.J.	NYLON 66 UL94V-2				
CHECKED	COLOR	FINISH	A4	SCALE: 4:1	UNIT mm	SHEET 1 OF 1
APPROVED	BLACK					
DO NOT SCALE DRAWING	UNLESS OTHERWISE SPECIFIED TOLERANCE: SEE ABOVE					