

# B36 HALF PITCH FEMALE HEADER SMT



**PITCH: 1.27mm \* 1.27mm**

## SPECIFICATIONS

### Material

Insulator : LCP, glass reinforced, rated UL 94V-0

Contact : Phosphor Bronze

### Electrical

Current Rating : 1 Amp

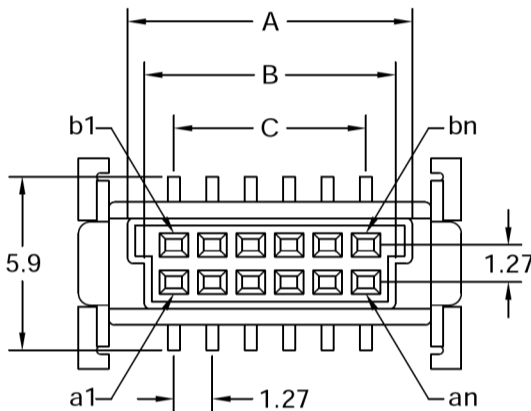
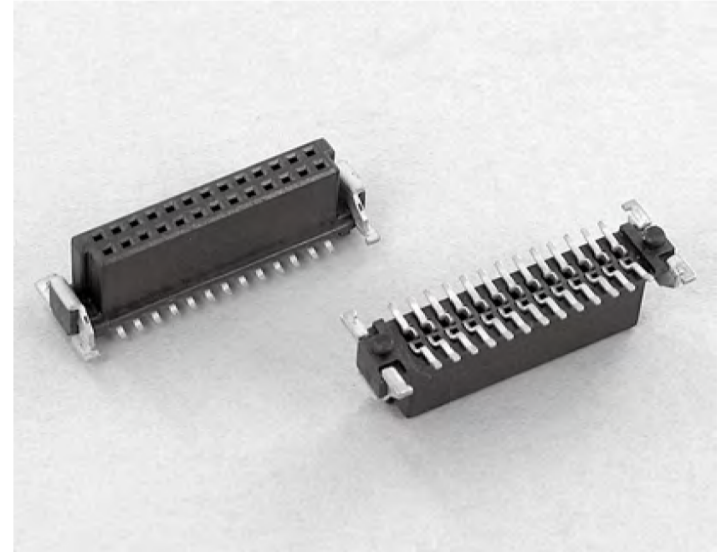
Contact Resistance : 30 mΩ max.

Insulation Resistance : 1000 MΩ min.

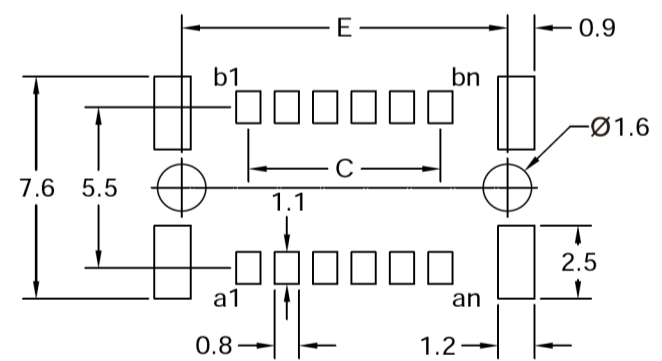
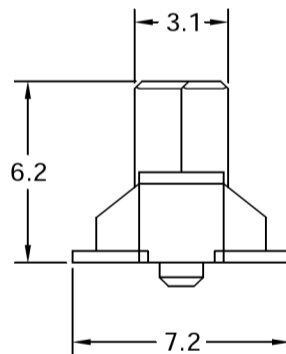
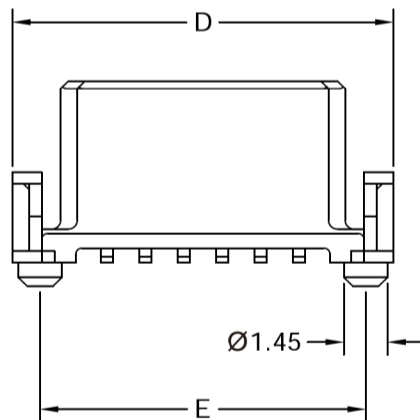
Dielectric Withstanding Voltage : 250V AC for 1minute

Operating Temperature : -40°C to +105°C

► Mating Suggestion : C58 series.



POSITION	A	B	C	D	E
6	5.60	4.50	2.54	8.79	6.96
8	6.87	5.77	3.81	10.06	8.23
10	8.14	7.04	5.08	11.33	9.50
12	9.41	8.31	6.35	12.60	10.77
14	10.68	9.58	7.62	13.87	12.04
16	11.95	10.85	8.89	15.14	13.31
20	14.49	13.39	11.43	17.68	15.85
22	15.76	14.66	12.70	18.95	17.12
26	18.30	17.20	15.24	21.49	19.66
30	20.84	19.74	17.78	24.03	22.20
34	23.38	22.28	20.32	26.57	24.74
40	27.19	26.09	24.13	30.38	28.55
44	29.73	28.63	26.67	32.92	31.09
50	33.54	32.44	30.48	36.73	34.90
60	39.89	38.79	36.83	43.08	41.25
68	44.97	43.87	41.91	48.16	46.33
80	52.59	51.49	49.53	55.78	53.95



RECOMMENDED P.C.B LAYOUT

**How to order:** B36 - 1 - 2 - 3 - 4 - 5 - G(RoHS)

1.NO. OF CONTACT	2.CONTACT MATERIAL	3.CONTACT PLATING	4.PACKAGING	5.INSULATOR COLOR
06 08 10 12 14 16 20 22 26 30 34 40 44 50 60 68 80	B: PHOSPHOR BRONZE	S: SELECTIVE	A: TUBE WITH PAD B: TUBE W/O PAD C: TAPE & REEL WITH PAD	1. BLACK

