

11DA plastic hood

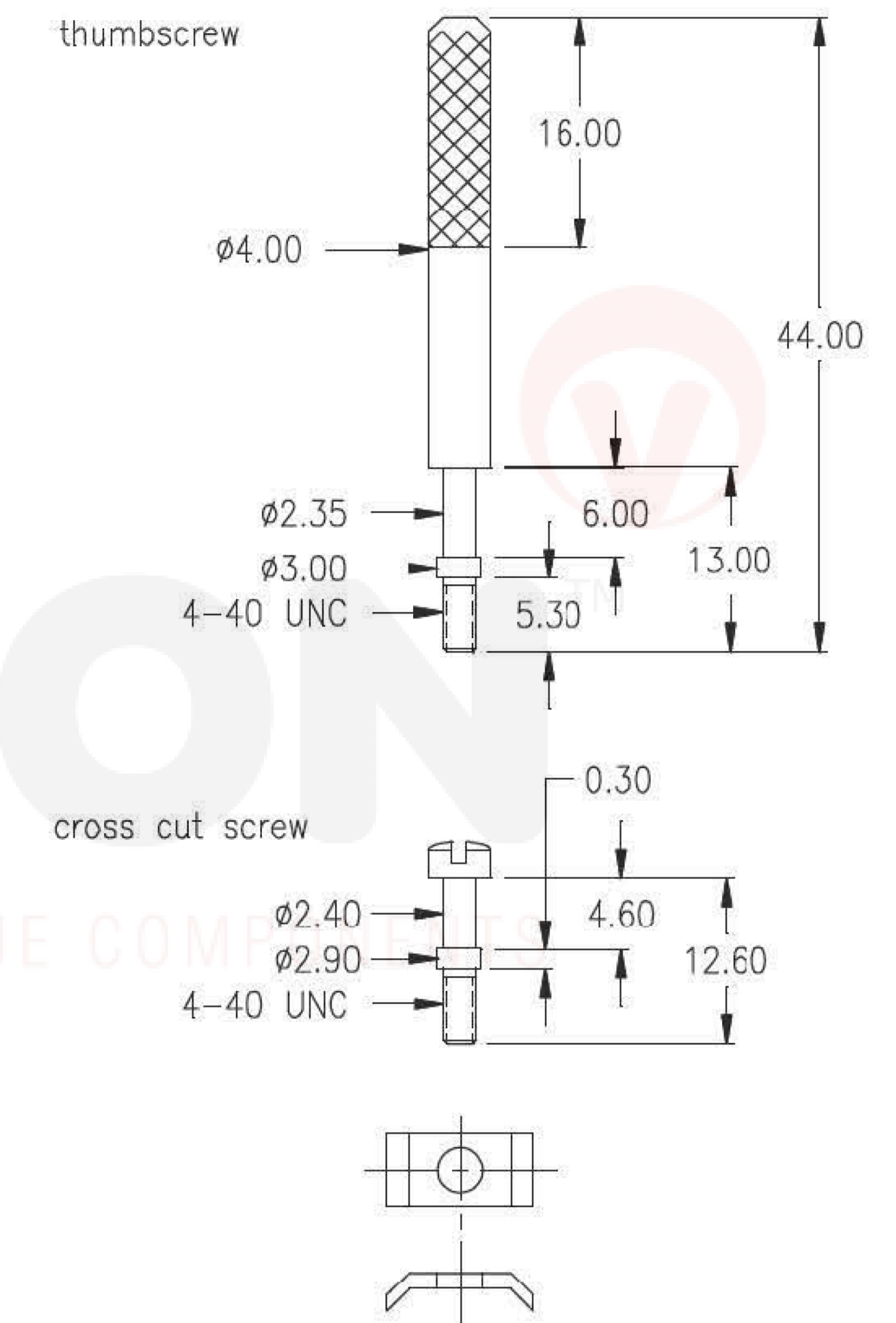
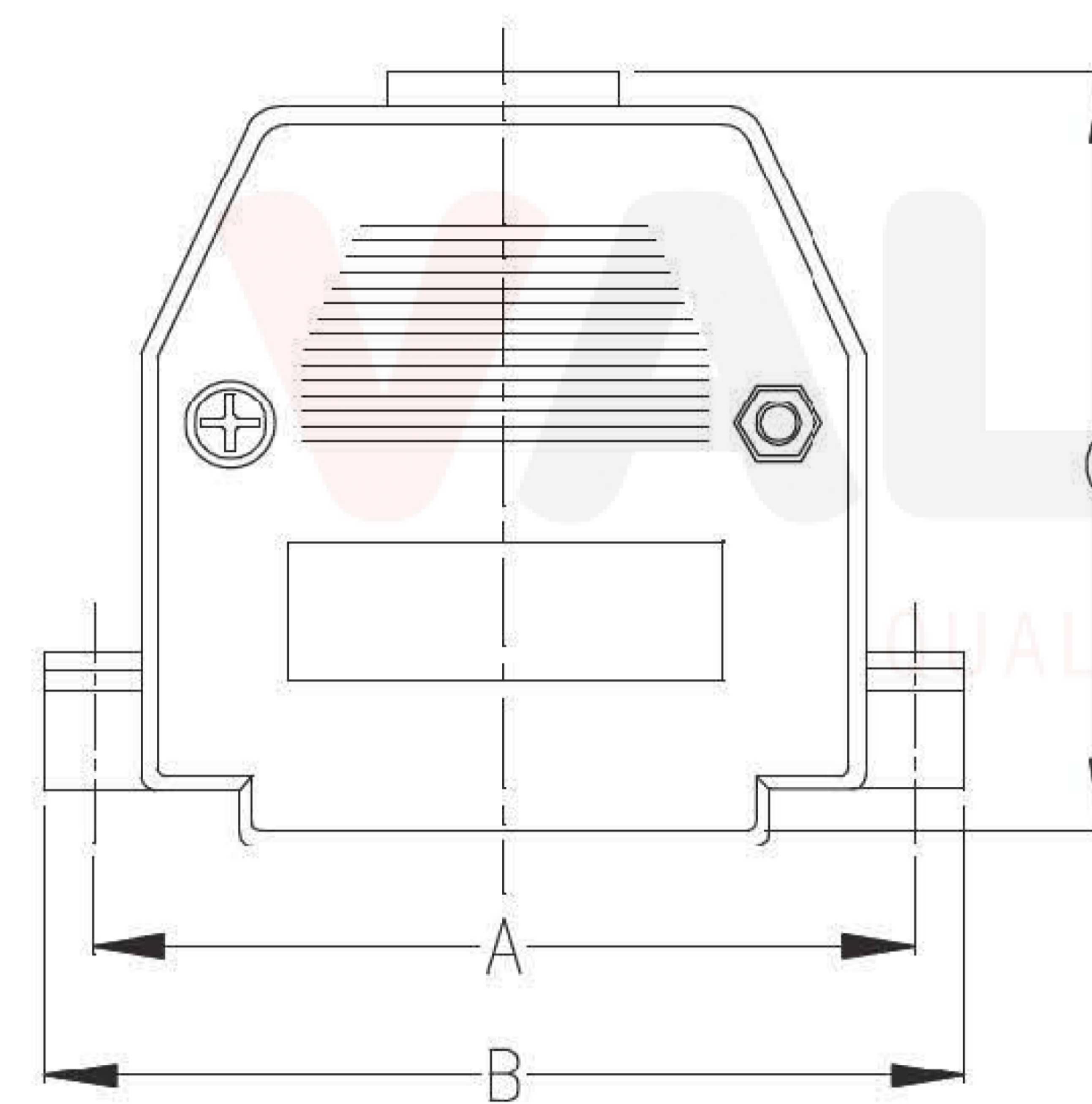
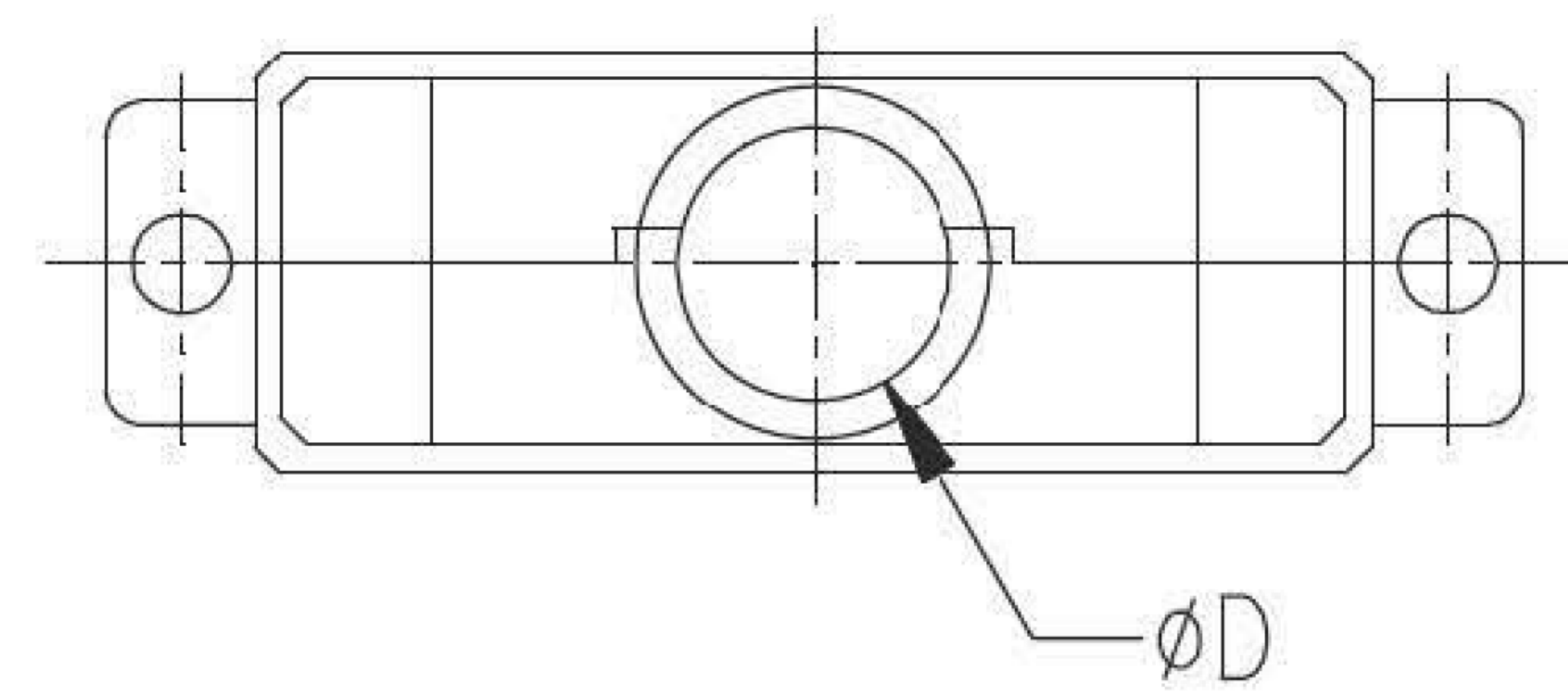
materials *RoHS compliant*

hood: PBT UL 94-V0

screw: steel

Please ask for detail drawing each type.

Dimension				D-Sub contacts
A	B	C	D	
24.99	30.80	40.50	7.00	009 / 015 (HD)
33.32	39.70	38.80	9.70	015 / 026 (HD)
47.04	55.00	44.50	14.00	025 / 044 (HD)
63.50	69.00	52.50	14.00	037 / 062 (HD)
61.11	67.00	48.30	14.00	050 / 078 (HD)



Ordering Code

11DA - XX - X - X

Size Code

09	=	9-pole Std. / 15-pole HD
15	=	15-pole Std. / 26-pole HD
25	=	25-pole Std. / 44-pole HD
37	=	37-pole Std. / 62-pole HD

colour / type

2 = grey
5 = chromated

screw type

1 = Short cross cut screw
2 = Long thumbscrew