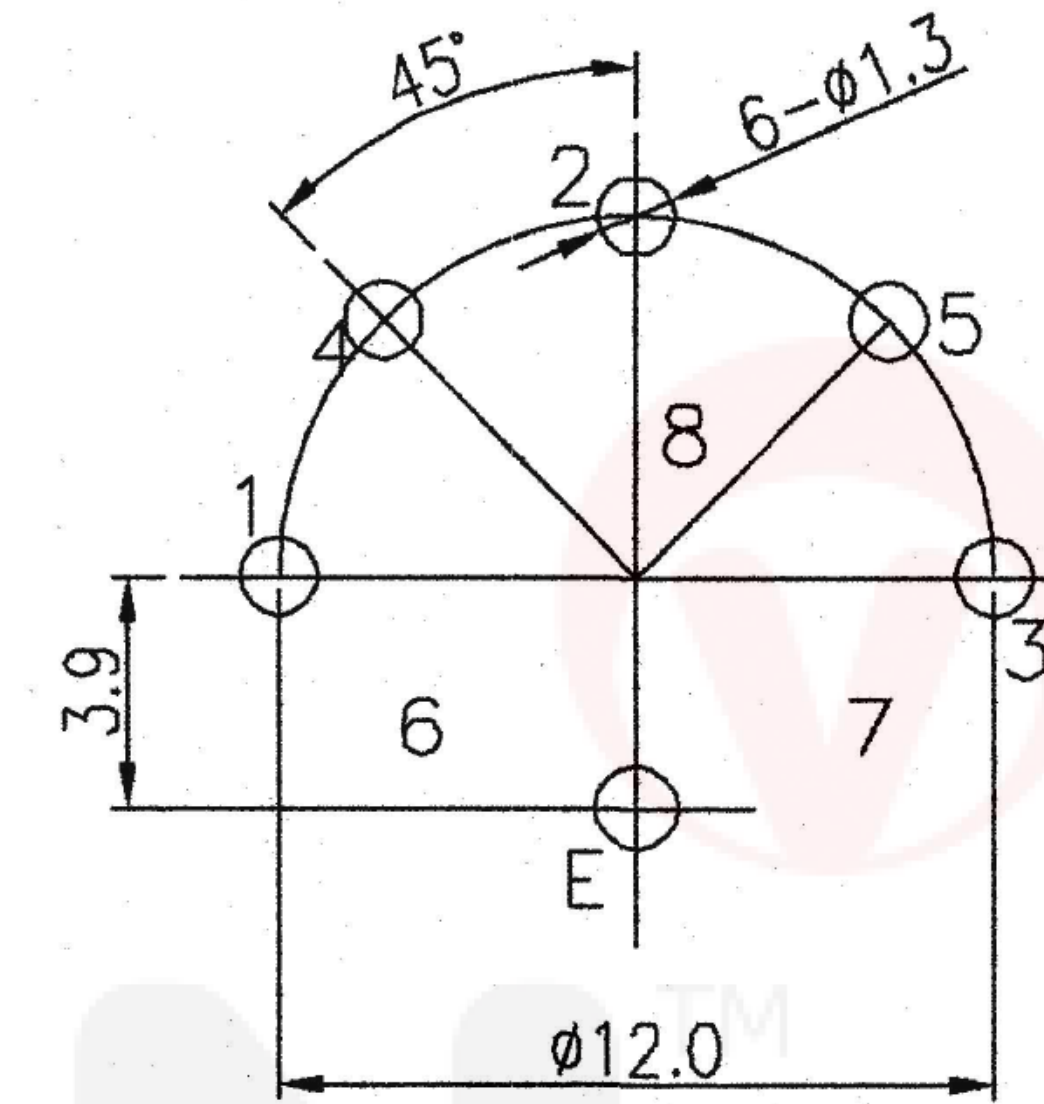
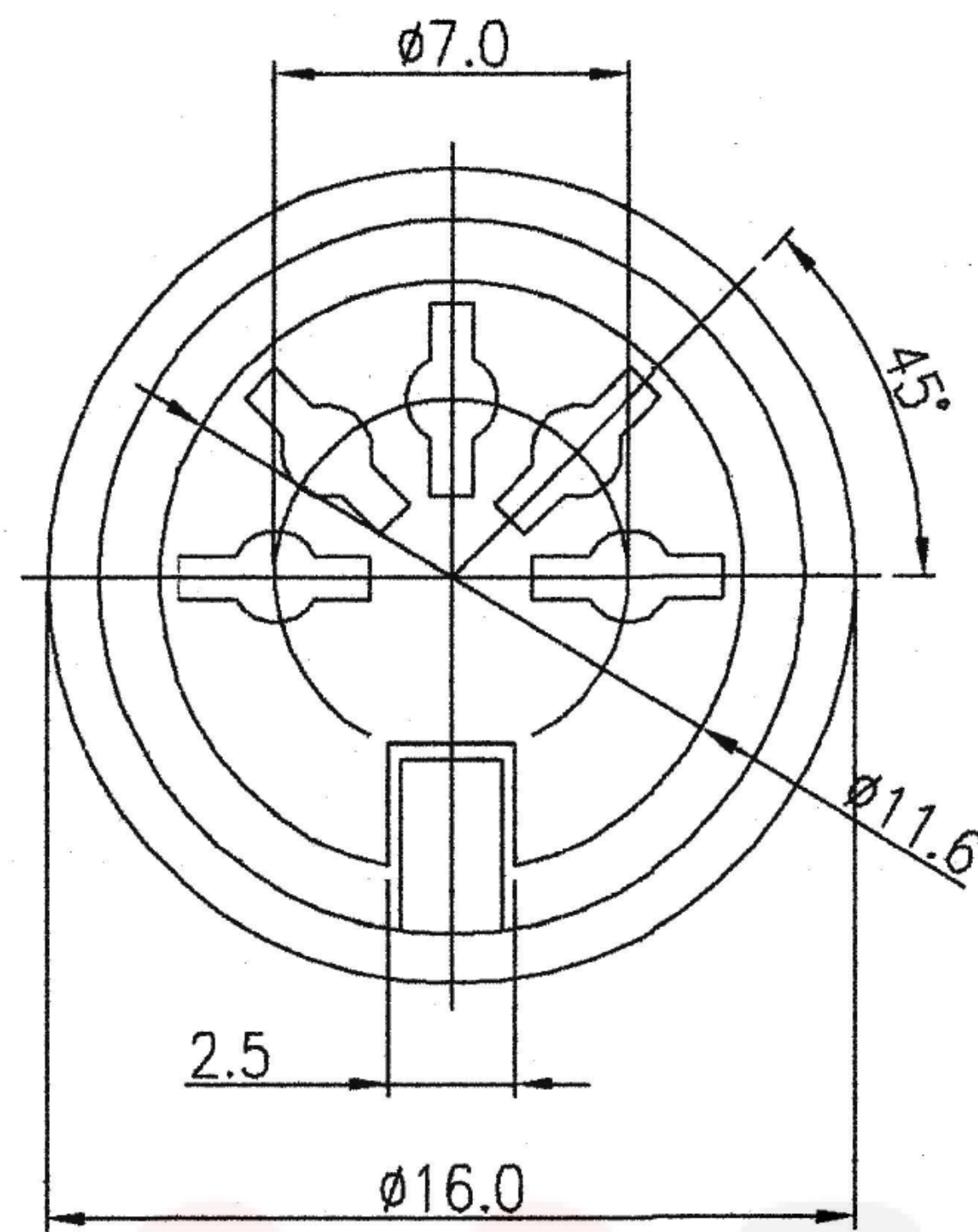
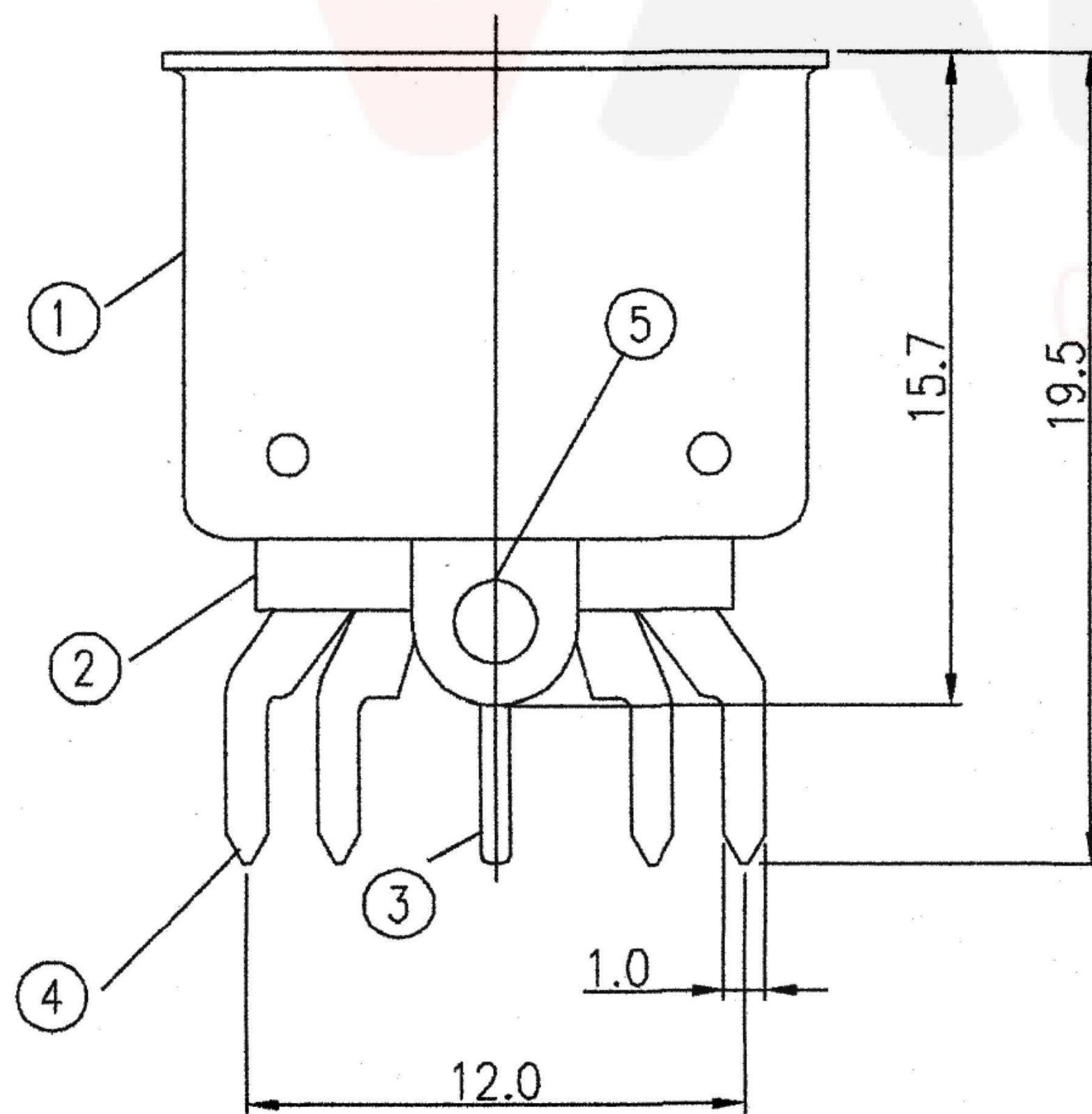


REV.	DESCRIPTION	REVISED	DATE
A	NEW PRODUCT	GB	-



P.C.B LAYOUT
(TOP VIEW)



SPECIFICATIONS:

- 1.RATING :100V AC 2A & 20V DC 1A
- 2.CONTACT RESISTANCE:20 MILLOHMS MAX.
- 3.INSERTION RESISTANCE:300M OHM AT 500V D.C
- 4.DIELECTRIC STRENGTH:1,000V A.C./1MINUTE
- 5.INSULATION FOREC: 4.0KG. MAX.
- 6.WITHDRAWAL FOREC: 1.0~3.5KG.

5	RIVET	1	AL	NICKEL PLATED	N/A
4	CONTACT TERMINAL	5	BRASS 0.7T	TIN PLATED	N/A
3	EARTH TERMINAL	1	PBSR-H 0.25T	TIN PLATED	N/A
2	HOUSING	1	P.B.T	BLACK	UL94V-0
1	SOCKET CASE	1	SPCC-SD 0.4T	NICKEL PLATED	N/A
P/N	PART NAME	Q'TY	MATERIAL	PLATING&COLOR	REMARKS
REV.	A	APPROVAL BY	CHECKED BY	DRAWD BY	UNITS
UNLESS OTHERWISE SPECIFIED TOLERANCES					mm
		PROJECTION	PRODUCT	DRAWING NO.	SCALE
DECIMALS: ANGLES:			5PIN DIN SOCKET	DS-065-202-5P	1:1
X :±0.5 X :±2°					
X.X:±0.3 X.X:±1°					
X.XX±0.2					
TOBY ELECTRONICS LTD					
sales@toby.co.uk toby.co.uk					