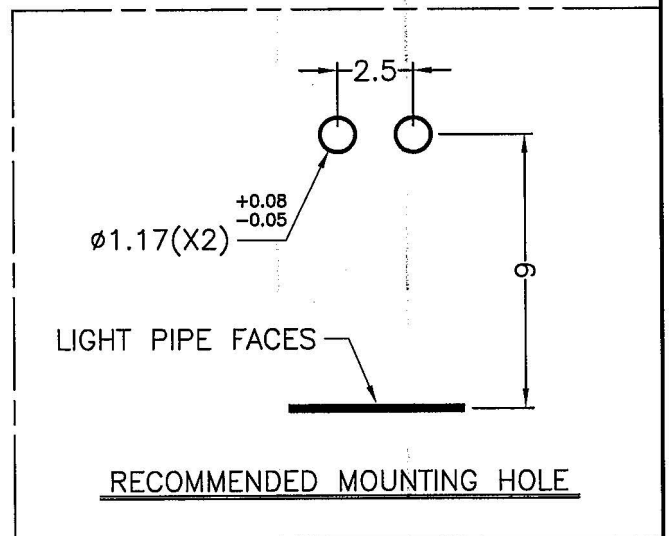
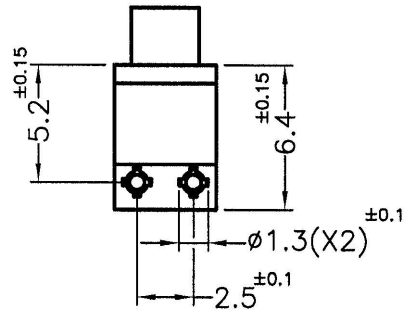
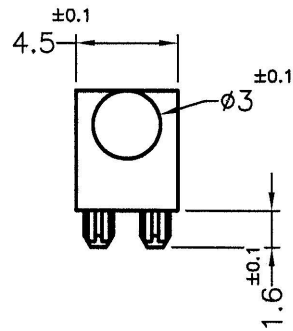
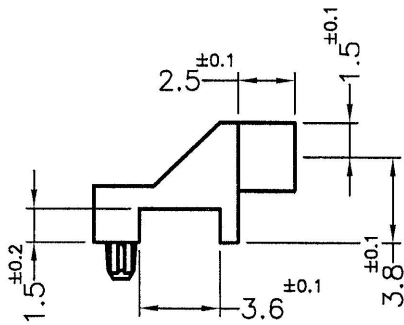
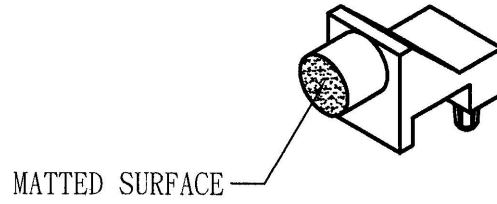


NOTE:MADE OF EQUIVALENT MATERIAL.

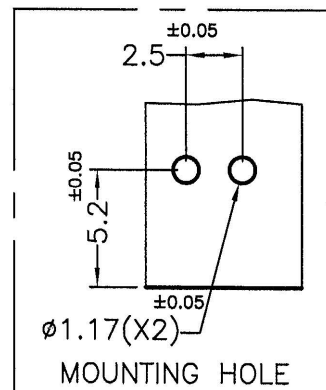


Toby Electronics Ltd
sales@toby.co.uk | toby.co.uk

<p>DO NOT SCALE DRAWING</p>	DATE	2020.05.06	TITLE	LIGHT PIPE	DWG. NO.	LEM-260V01-F	PART NO.	LEM-260-F	
	DRAWN	Y.C.P	MATERIAL	PC UL94V-0	SIZE	A4	SPEC. DWG	REV	A
	CHECKED	林祺翔	COLOR	TRANSPARENT	FINISH				
	APPROVED	Kang	UNLESS OTHERWISE SPECIFIED TOLERANCE:	SEE ABOVE	SCALE:	4:1	UNIT	mm	SHEET 1 OF 1



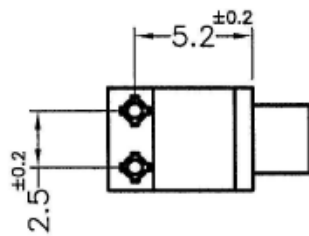
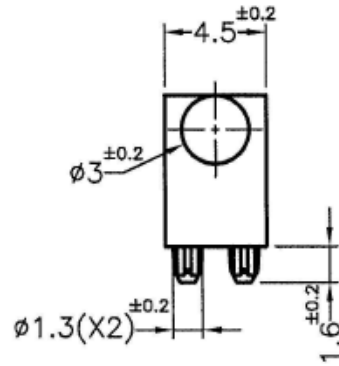
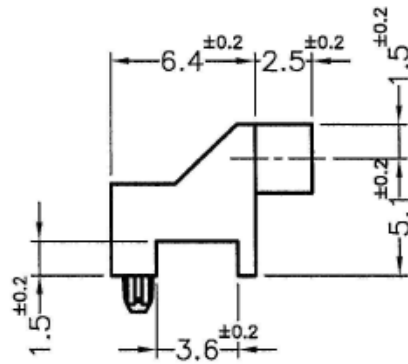
NOTE:MADE OF EQUIVALENT MATERIAL.
均可使用同等材質.



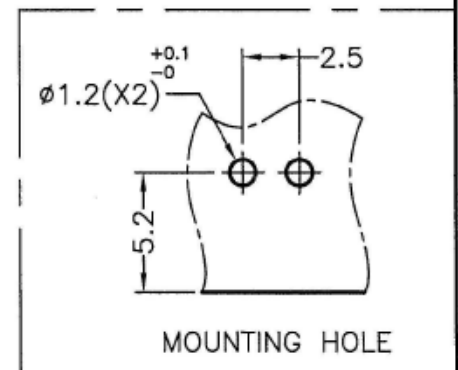
Toby Electronics Ltd
sales@toby.co.uk | toby.co.uk

	DATE 2019.05.28	TITLE LIGHT PIPE	DWG. NO. LEM-225V01-F		PART NO. LEM-225-F	
	DRAWN L.K.J.	MATERIAL PC UL94V-0	SIZE A4		SPEC. DWG.	
	CHECKED 林祺翔	COLOR TRANSPARENT	FINISH		REV A	
	APPROVED Kang	UNLESS OTHERWISE SPECIFIED TOLERANCE: SEE ABOVE		SCALE: 5:1	UNIT mm	SHEET 1 OF 1

DO NOT SCALE DRAWING



NOTE:MADE OF EQUIVALENT MATERIAL.



Toby Electronics Ltd E: sales@toby.co.uk
Beaumont Road W: www.toby.co.uk
Banbury, Oxon T: +44 (0)1295 271777
OX16 1TU F: +44 (0)1295 271744



DATE 2019.06.05	TITLE LIGHT PIPE		DWG. NO. LEM-136 -F		PART NO. LEM-136 -F	
	DRAWN Louis	MATERIAL PC UL94V-0	SIZE A4		SPEC. DWG.	
CHECKED	COLOR TRANSPARENT	FINISH		REV A		
APPROVED <i>Kang</i>	UNLESS OTHERWISE SPECIFIED TOLERANCE: SEE ABOVE		SCALE: 3:1	UNIT mm	SHEET 1 OF 1	

DO NOT SCALE DRAWING