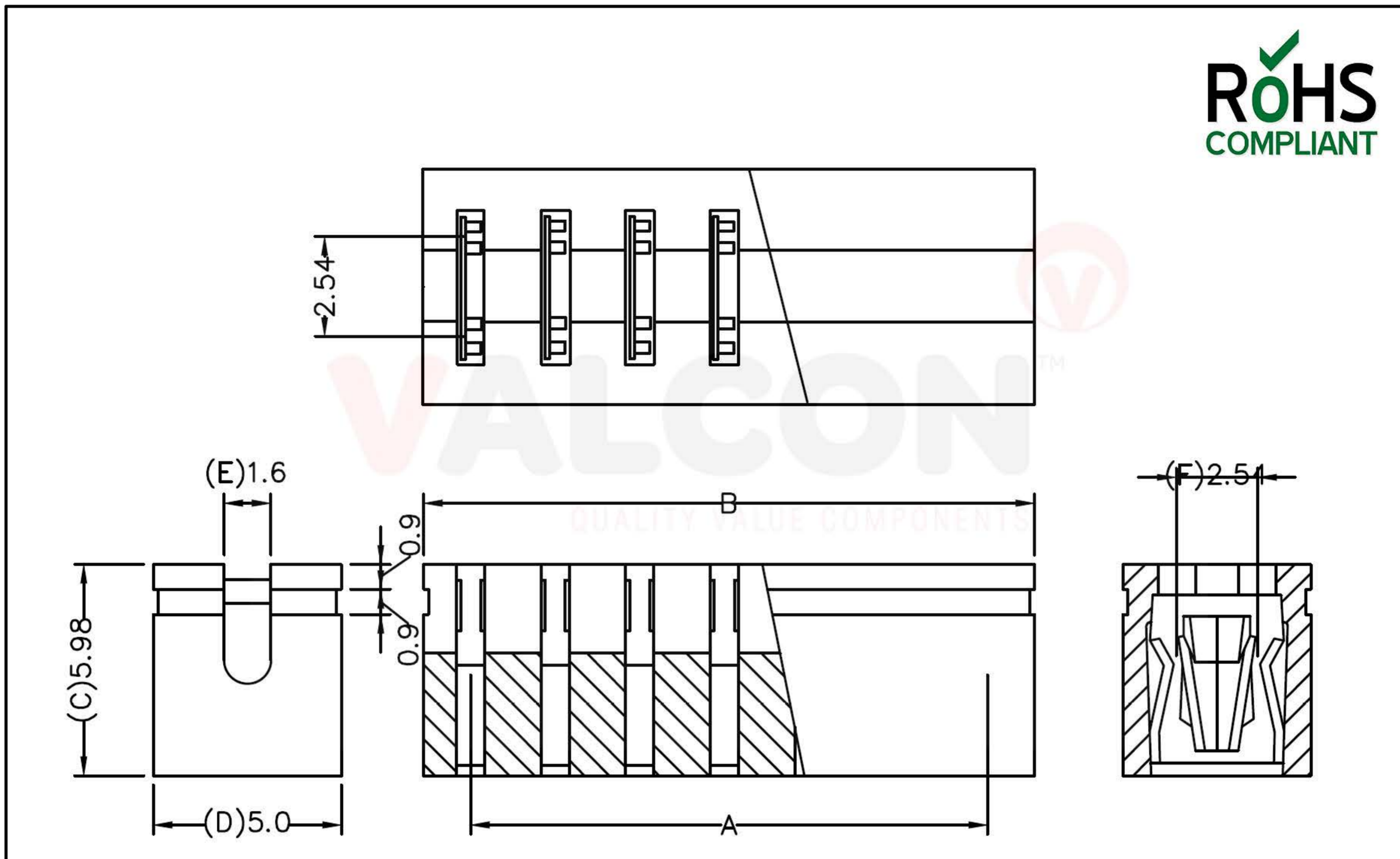


Valcon C33-GAG1-2xXX Series 2.54mm Pitch Multi-Position Shunts



* 以下圖示塑膠公差皆為±0.15
金屬件公差為±0.05

PART NUMBER	DIM "A"	DIM "B"
C33-GAG1-2X2-G	2.54 (0.100)	5.08 (0.200)
C33-GAG1-2X3-G	5.08 (0.200)	7.62 (0.300)
C33-GAG1-2X4-G	7.62 (0.300)	10.16 (0.400)
C33-GAG1-2X5-G	10.16 (0.400)	12.70 (0.500)
C33-GAG1-2X6-G	12.70 (0.500)	15.24 (0.600)
C33-GAG1-2X7-G	15.24 (0.600)	17.78 (0.700)
C33-GAG1-2X8-G	17.78 (0.700)	20.32 (0.800)
C33-GAG1-2X9-G	20.32 (0.800)	22.86 (0.900)
C33-GAG1-2X10-G	22.86 (0.900)	25.40 (1.000)

FEATURES

Double tuning fork type contact guarantees high reliability.
2.54MM pitch Low-Profile mini type Match to 0.64mm sq. posts.

MATERIAL

- . Insulator. 30% Glass Filled P.B.T.(UL 94v-0)
- . Contact. Gold Plated
- . Terminal. C2680 (青銅)

SPECIFICATIONS

- . Current Rating: 3 amperes MA
- . Contact Resistance: 30mΩ MAX
- . Insulation Resistance: 1000 megohms MAX
- . Dielectric Withstanding Voltage: AC 650 volts RMS at sea level



S=1:0.2 YM00839