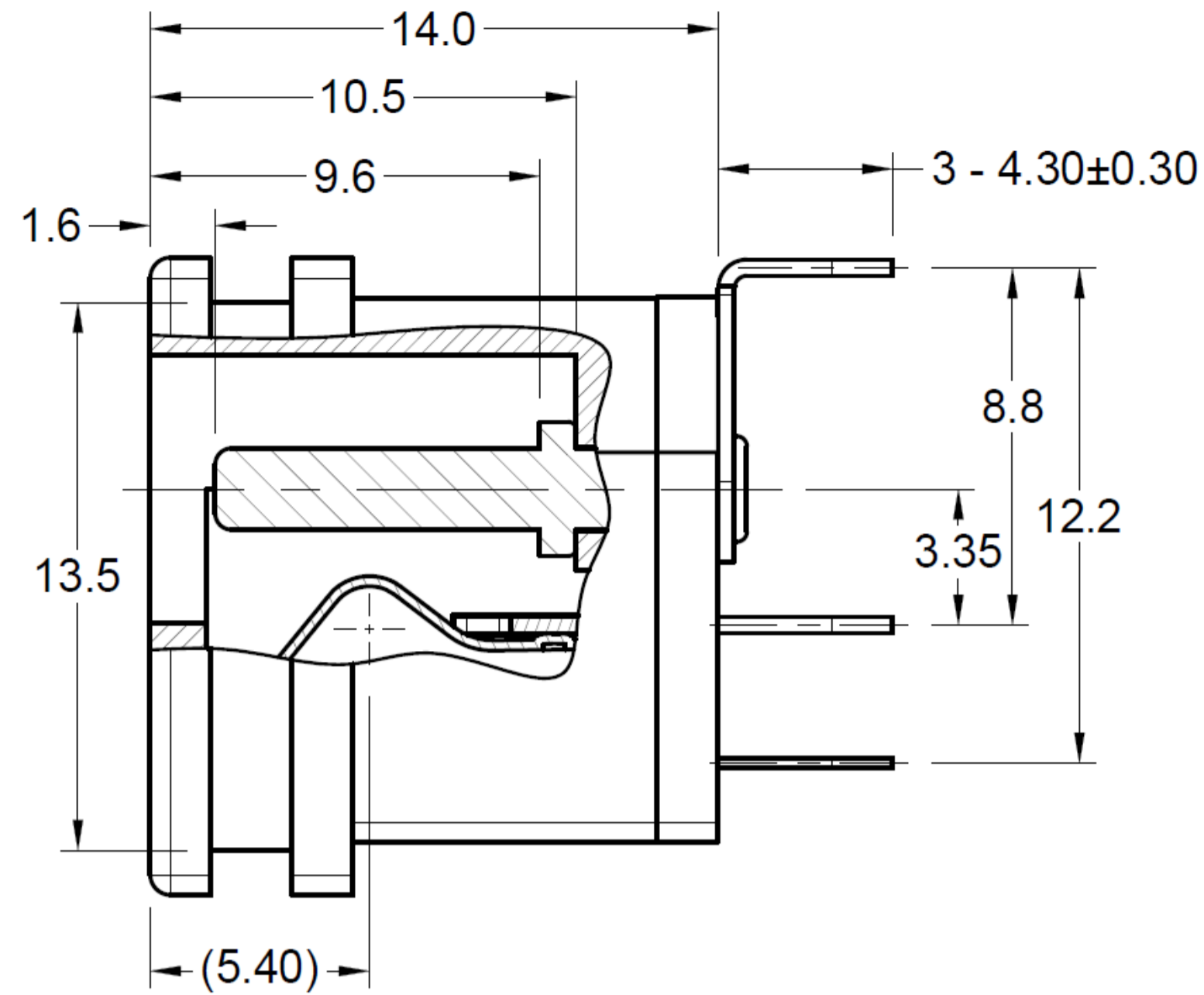
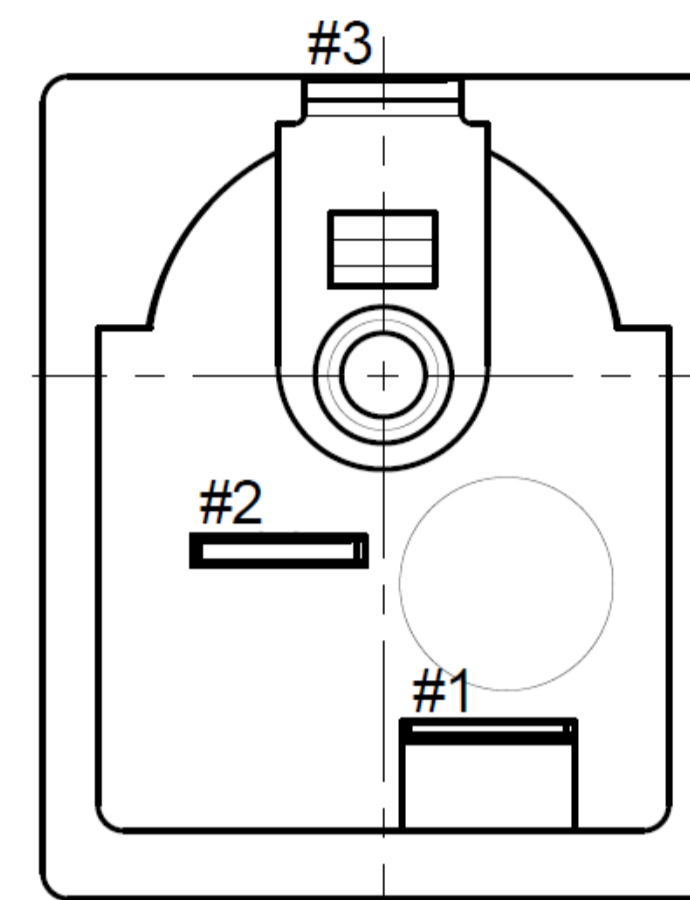


Center Pin
 "A" Type $\text{Ø}2.0^{+0}_{-0.1}$
 "B" Type $\text{Ø}2.5^{+0}_{-0.1}$



SECTION A-A



Materials and Finish

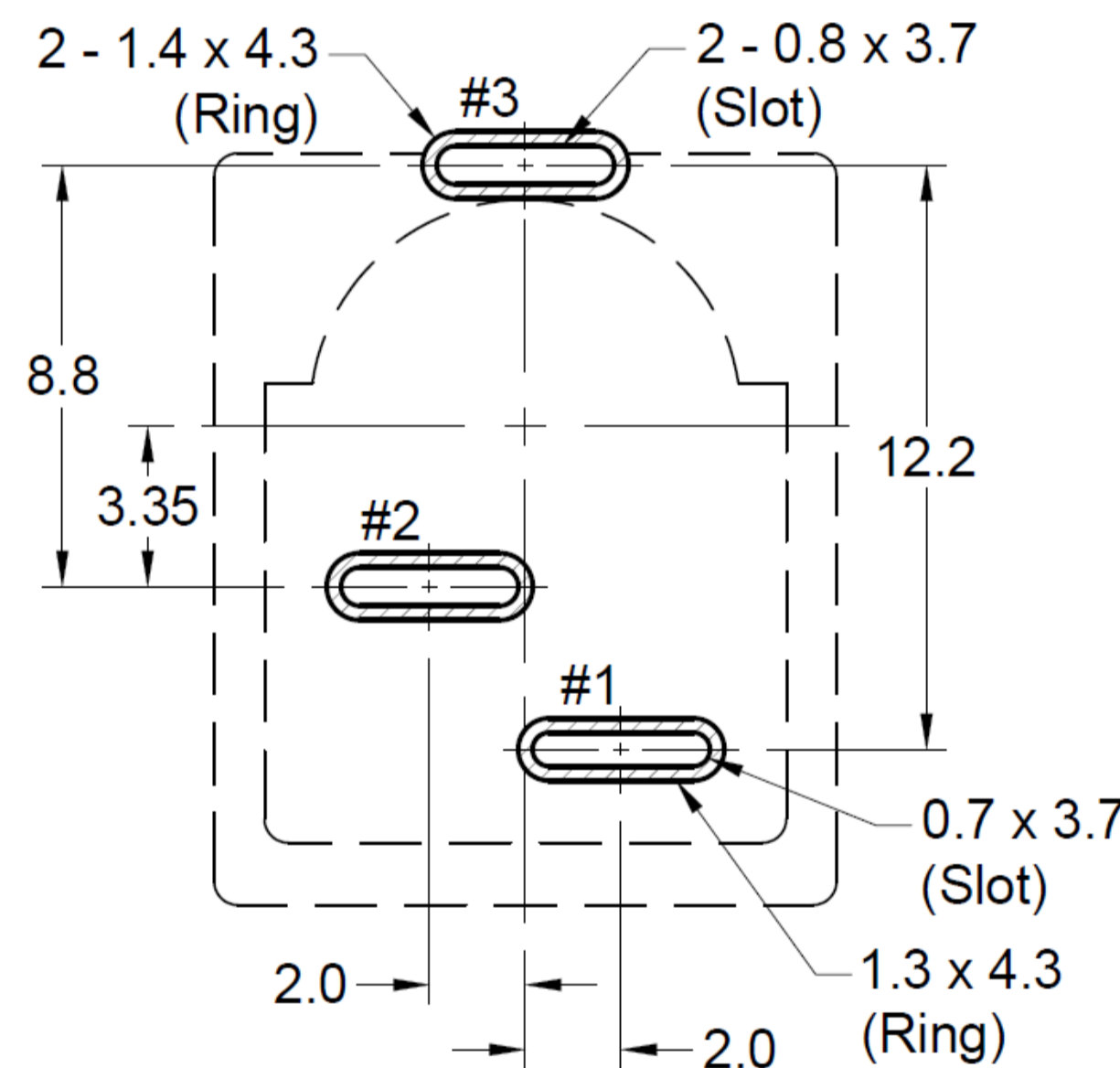
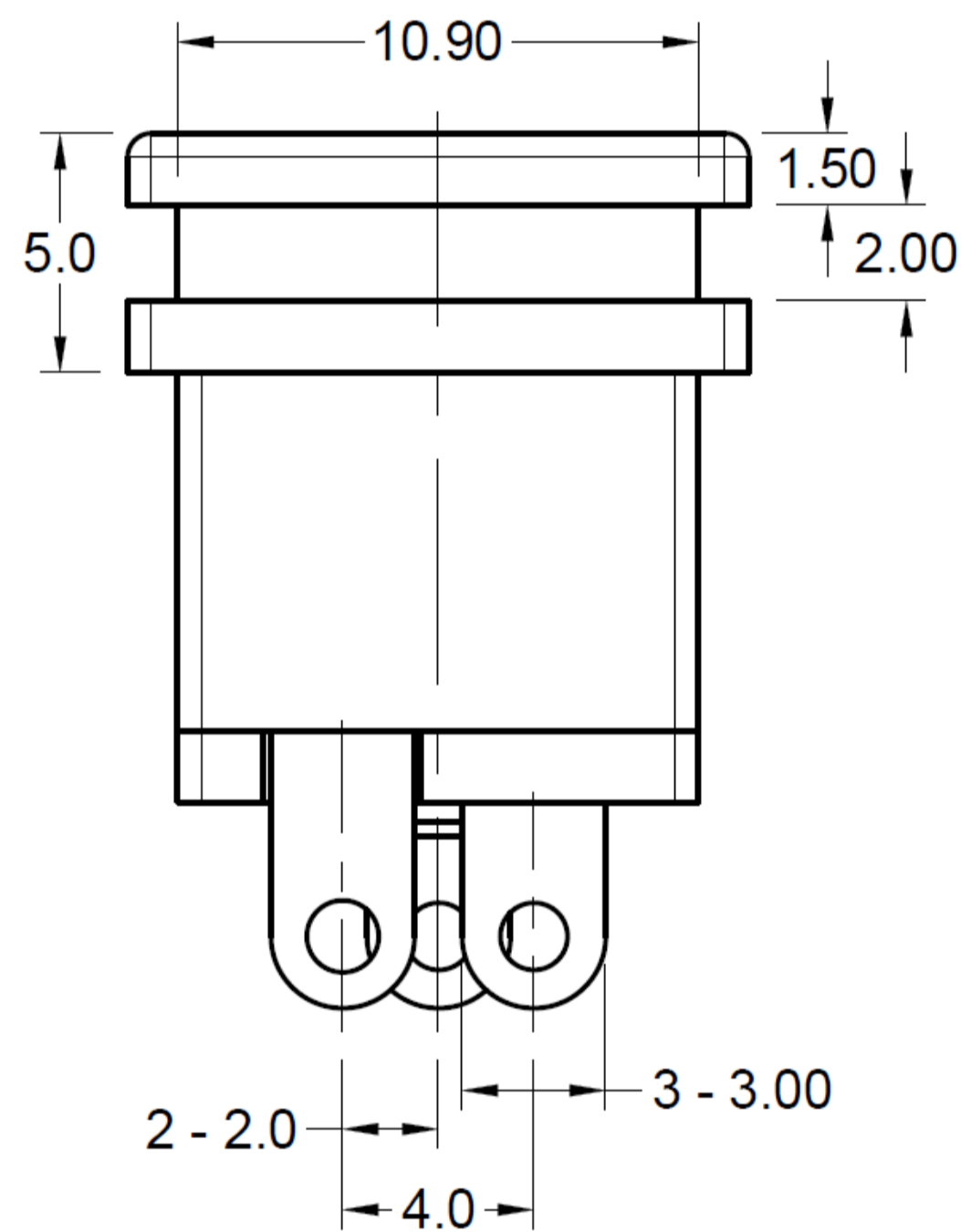
Housing: PBT Thermoplastic
 UL 94V-0 Rated, Black Color
 Contact Material:
 Center Pin: Copper Alloy, Nickel Plated
 Contact #3: Copper Alloy, Tin Plated
 Contact #1: Copper Alloy, Tin Plated
 Contact #2: Copper Alloy, Tin Plated

Electrical Characteristics

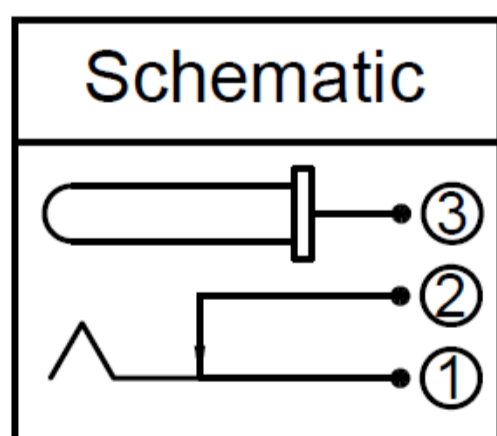
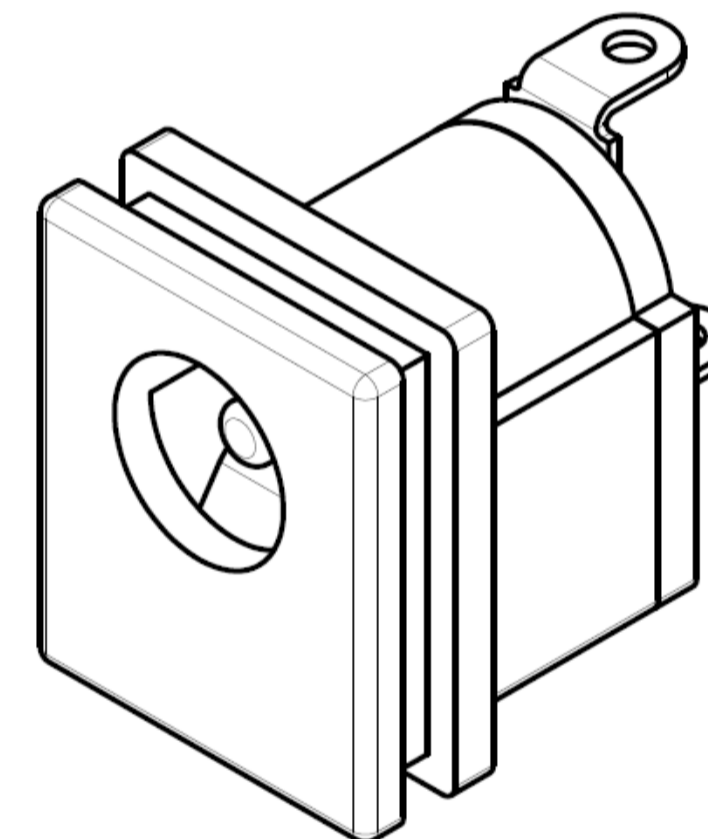
Rated Current: 2.5A
 Rated Voltage: 13.5V DC
 Insulation Resistance:
 100 Megohms Min. at 500V DC
 Contact Resistance:
 30 Milliohms Max. (Initial)
 60 Milliohms Max. (Final)
 Dielectric Withstanding Voltage:
 500V AC RMS for 1 Minute

Mechanical Characteristics

Insertion Force: 0.3 Kg - 3.0 Kgf
 Withdrawal Force: 0.3 Kg - 3.0 Kgf
 Durability: 5000 Mating Cycles Min.
 Operating Temperature:
 -25°C to +85°C



Recommended PCB Layout
 (Bottom View) Tol.: ±0.05



Part Number	Center Pin Dia.
KLDPX-0207-A-1	$\text{Ø}2.0^{+0}_{-0.1}$
KLDPX-0207-B-1	$\text{Ø}2.5^{+0}_{-0.1}$



Tolerances
X.X ± 0.3
X.XX ± 0.20
Unless Stated Otherwise

REV.	DATE	DESCRIPTION	REV. BY	CHK. BY	DRAWN BY	DATE
A0	11/02/22	New Drawing	C. Kelleher	C. Furumasu	C. Kelleher	11/2/22
A0.1	02/01/23	Update Layout	C. Kelleher	C. Furumasu		
A1	06/02/23	Release Drawing	C. Kelleher	C. Furumasu		

KLDPX-0207-x-1

x = A or B Type
 A = 2.0mm Dia.
 B = 2.5mm Dia.

DC Power Jack, Panel Mount

2.0/2.5mm RoHS Compliant

