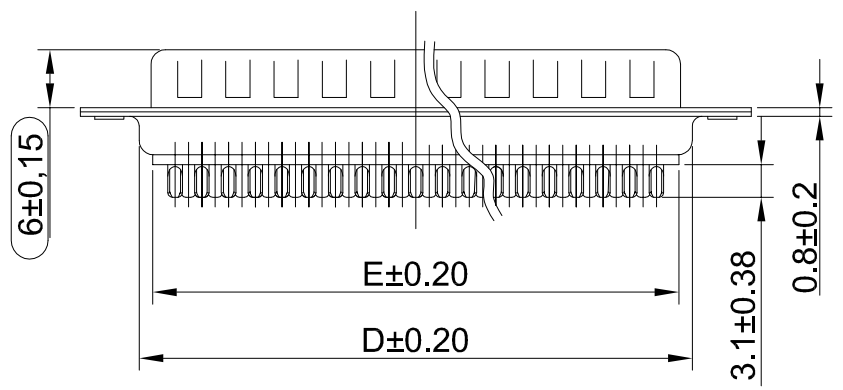


NOTES:
 INSULATION RESESTANCE(MIN.): 1000MOHMS
 CURRENT RATING(MAX.): 3amp AC/DC
 WITHSTANDING VOLTAGE: 1000VAC
 CONTACT RESISTANCE(MAX.) 30m chms
 OPERATION TEMPERATURE: -55 ~+105
 MATERIAL:
 CONTACT: COPPER ALLOY
 INSULATION: PBT+25%GLASS FIBER.UL 94V-0
 SHELL; STEEL
 CONTACT PLATING: GOLD FLASH
 SHELL PLATING: TIN OVER 50u" COPPER PLATE
 +DIMPLE
 INSULATOR COLOUR: WHITE

PART NO.: DSM - xx - P
 No. Contacts: 09, 15, 25, 37



POS.	A	B	C	D	E	F
9	30.81	24.99	18.0	19.00	15.60	11.08
15	39.14	33.32	26.6	27.50	24.60	19.39
25	53.10	47.04	40.2	41.00	38.04	33.24
37	69.50	63.50	55.3	57.30	54.50	49.86

For SIP

UNLESS OTHERWISE SPECIFIED TOLERANCE	
ANG.	±3°
0.	±0.35
.0	±0.30
.00	±0.25

TOBY ELECTRONICS LTD
 sales@toby.co.uk | toby.co.uk

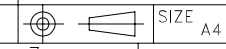
SCALE:	AS SHOWN	UNIT:	mm
DRAWN	Rita	30/06/2021	
CHECKED	Pearl	30/06/2021	
APPROVED	Pearl	30/06/2021	

Title: Discrete Wire D-Type Plug Connector

Part NO. DSM-xx-P

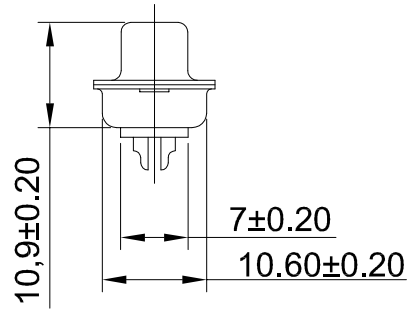
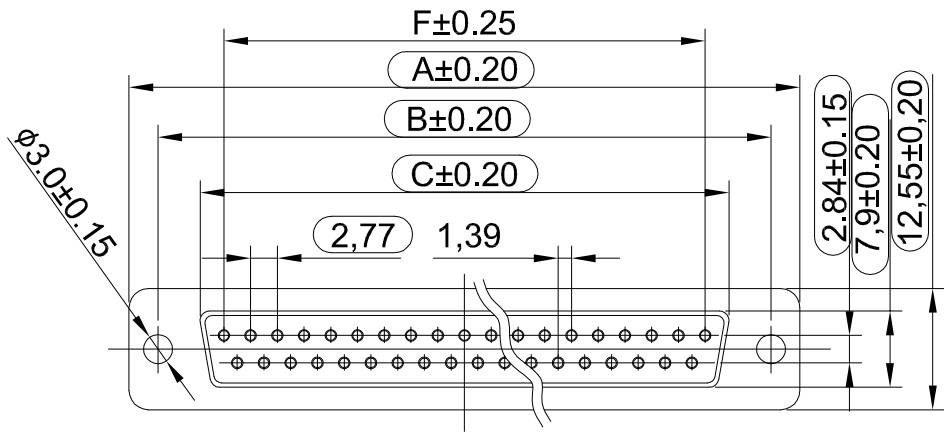
Code: H03

Zone	Revision	DESCRIPTION	DATE
B		ECN-2106007(Vicky)Change outline.	26/06/2021
A		ECN-195064(Vicky)X3 Change to A.	22/05/2019



SIZE A4

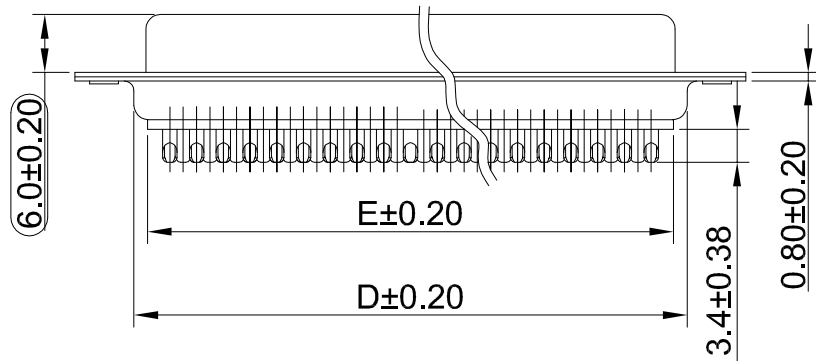
REV. B



NOTES:
 INSULATION RESESTANCE(MIN.): 1000MOHMS
 CURRENT RATING(MAX.): 3amp AC/DC
 WITHSTANDING VOLTAGE: 1000VAC
 CONTACT RESISTANCE(MAX.) 30m chms
 OPERATION TEMPERATURE: -55 ~+105
 MATERIAL:
 CONTACT: COPPER ALLOY
 INSULATION: PBT+25%GLASS FIBER.UL 94V-0
 SHELL ; STEEL
 CONTACT PLATING: GOLD FLASH
 SHELL PLATING: TIN OVER 50u" COPPER PLATE
 +DIMPLE
 INSULATOR COLOUR: WHITE

PART NO.: DSM - xx - S

No. Contacts:
 09, 15, 25, 37

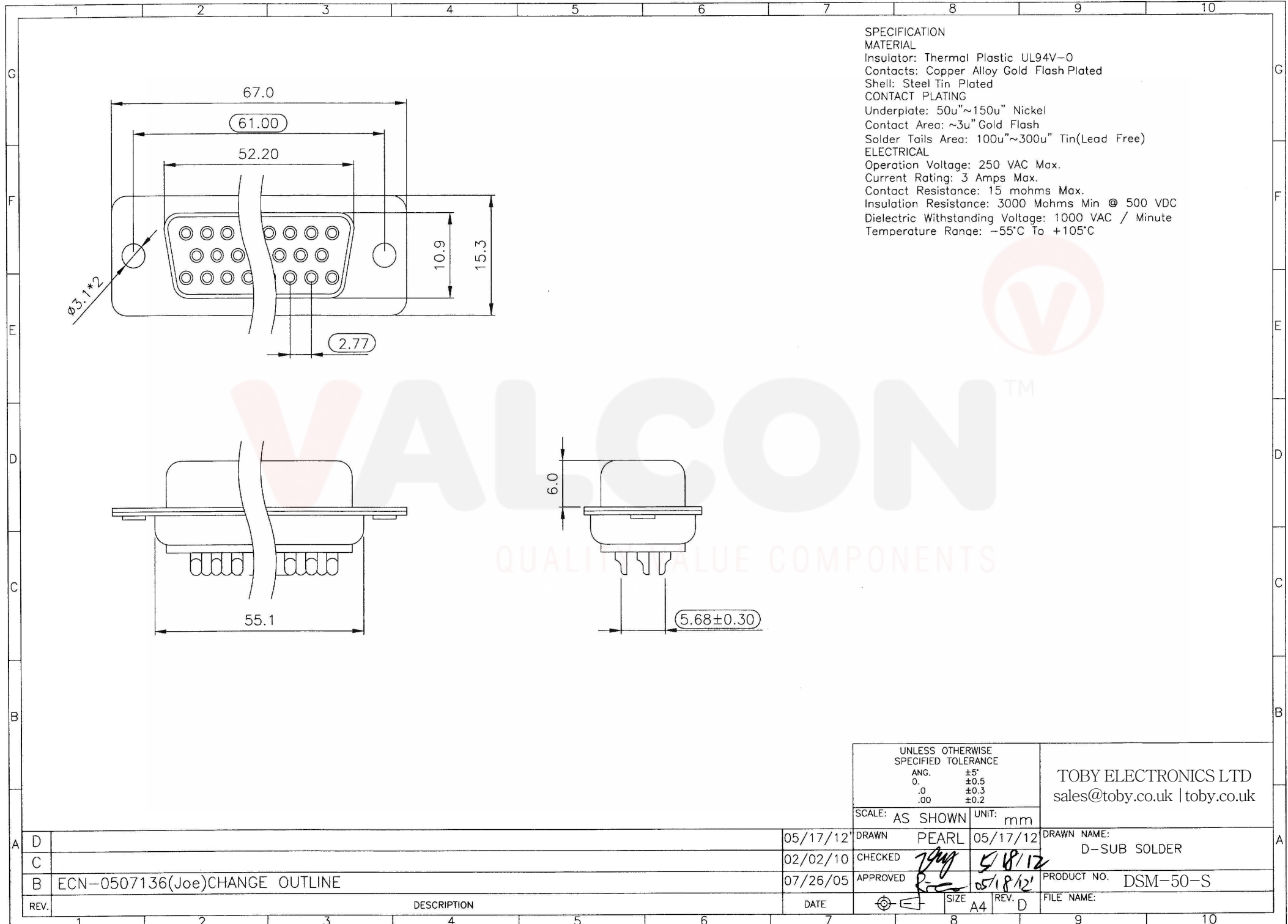


POS.	A	B	C	D	E	F
9	30.81	24.99	16.33	19.00	15.60	11.08
15	39.14	33.32	25.25	27.50	24.60	19.39
25	53.10	47.04	38.38	41.00	38.04	33.24
37	69.50	63.50	53.91	57.30	54.50	49.86

For SIP

UNLESS OTHERWISE SPECIFIED TOLERANCE		TOBY ELECTRONICS LTD sales@toby.co.uk toby.co.uk		
ANG.	±3°	SCALE: AS SHOWN UNIT: mm		
0.	±0.35			
.0	±0.30			
.00	±0.25			
Zone	Revision	DESCRIPTION	DATE	SIZE A4 REV. A Code: H03

A	A	ECN-195064(Vicky)X3 Change to A.	26/06/2021	DRAWN Rita	30/06/2021	Title: Discrete Wire D-Type Socket Connector	1/1
(7,B)	X2	ECR-193070(Chichi)新增鍍銀選項	20/03/2019	CHECKED Pearl	30/06/2021		
	X1	ECR-183110(Queenie)	10/07/2018	APPROVED Pearl	30/06/2021	Part NO. DSM-xx-S	



SPECIFICATION
MATERIAL
 Insulator: Thermal Plastic UL94V-0
 Contacts: Copper Alloy Gold Flash Plated
 Shell: Steel Tin Plated
CONTACT PLATING
 Underplate: 50u"~150u" Nickel
 Contact Area: ~3u" Gold Flash
 Solder Tails Area: 100u"~300u" Tin(Lead Free)
ELECTRICAL
 Operation Voltage: 250 VAC Max.
 Current Rating: 3 Amps Max.
 Contact Resistance: 15 mohms Max.
 Insulation Resistance: 3000 Mohms Min @ 500 VDC
 Dielectric Withstanding Voltage: 1000 VAC / Minute
 Temperature Range: -55°C To +105°C

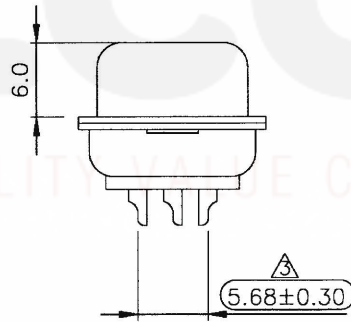
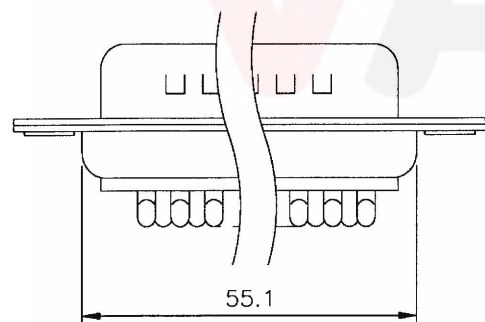
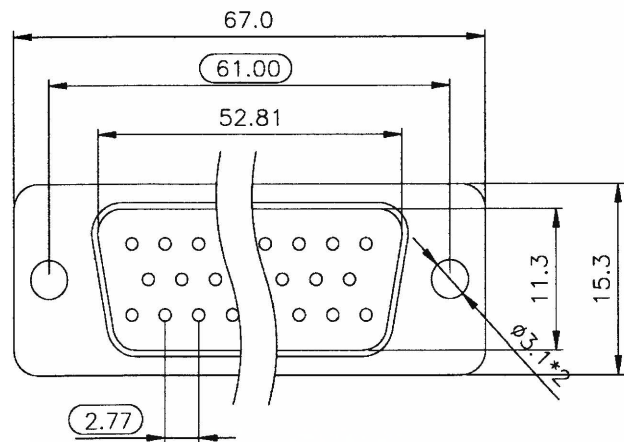


VALCON
 QUALITY VALUE COMPONENTS

UNLESS OTHERWISE SPECIFIED TOLERANCE		TOBY ELECTRONICS LTD	
ANG.	±5°	sales@toby.co.uk toby.co.uk	
0.	±0.5		
.0	±0.3		
.00	±0.2		
SCALE: AS SHOWN	UNIT: mm		
05/17/12	DRAWN PEARL	05/17/12	DRAWN NAME: D-SUB SOLDER
02/02/10	CHECKED <i>[Signature]</i>	05/18/12	
07/26/05	APPROVED <i>[Signature]</i>	05/18/12	PRODUCT NO. DSM-50-S
REV.	DESCRIPTION	DATE	FILE NAME:

D		05/17/12
C		02/02/10
B	ECN-0507136(Joe)CHANGE OUTLINE	07/26/05
REV.	DESCRIPTION	DATE

SPECIFICATION
MATERIAL
 Insulator: Thermal Plastic UL94V-0
 Contacts: Copper Alloy Gold Flash Plated
 Shell: Steel Tin Plated+Dimple
CONTACT PLATING
 Underplate: 50u"~150u" Nickel
 Contact Area: ~3u" Gold Flash
 Solder Tails Area: 100u"~300u" Tin(Lead Free)
ELECTRICAL
 Operation Voltage: 250 VAC Max.
 Current Rating: 3 Amps Max.
 Contact Resistance: 15 mohms Max.
 Insulation Resistance: 3000 Mohms Min @ 500 VDC
 Dielectric Withstanding Voltage: 1000 VAC / Minute
 Temperature Range: -55°C To +105°C



○ For SIP
 (ST) For cmk/cpk

UNLESS OTHERWISE SPECIFIED TOLERANCE		TOBY ELECTRONICS LTD	
ANG.	±5°	sales@toby.co.uk toby.co.uk	
0.	±0.5	SCALE: AS SHOWN	UNIT: mm
.0	±0.3	DRAWN	PEARL 05/16/12
.00	±0.2	CHECKED	<i>[Signature]</i> 05/16/12
		APPROVED	<i>[Signature]</i> 05/16/12
		DATE	05/16/12
		SIZE	A4
		REV.	E
		FILE NAME:	

A	E	ECN-1205045(Fion) (7,G)	05/16/12	DRAWN	PEARL	05/16/12	DRAWN NAME:	D-SUB SOLDER
	D	ECN-1001086(Jile) (7,G)	01/15/10	CHECKED	<i>[Signature]</i>		PRODUCT NO.	DSM-50-P
	C	ECN-0602003(Lily) (7,B)	01/26/06	APPROVED	<i>[Signature]</i>		FILE NAME:	
REV.	DESCRIPTION		DATE			SIZE	REV.	