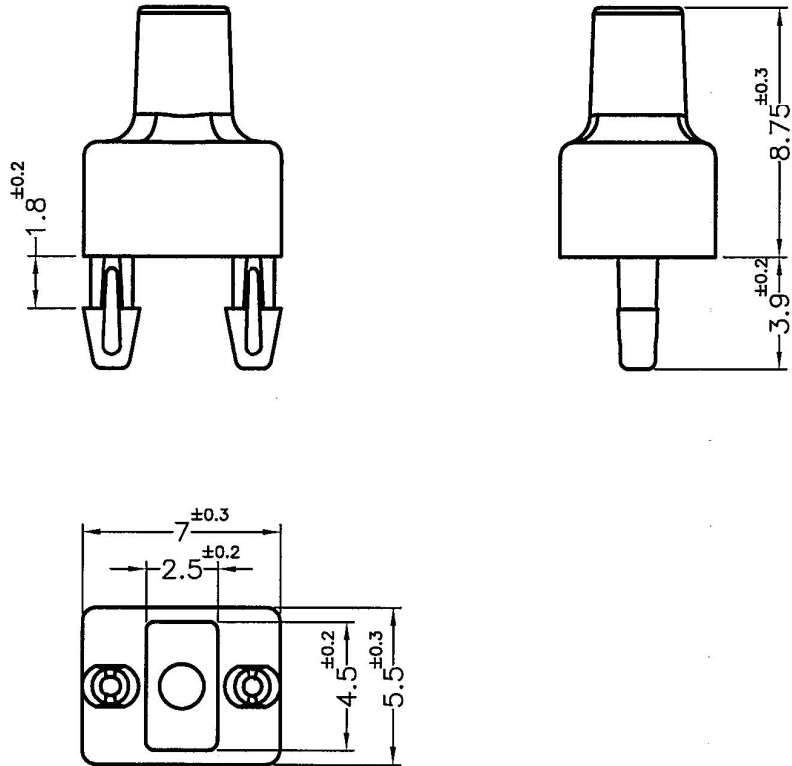
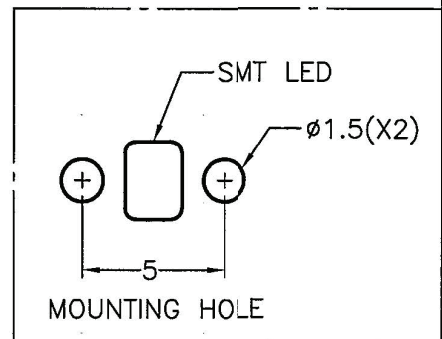


MOUNT FOR FLK-SMD-8-xxx-X



NOTE: 1. THE COLOR BATCH TEST REPORT IS ONLY FOR FIRST LOT TEST.  
 2. MADE OF EQUIVALENT MATERIAL.

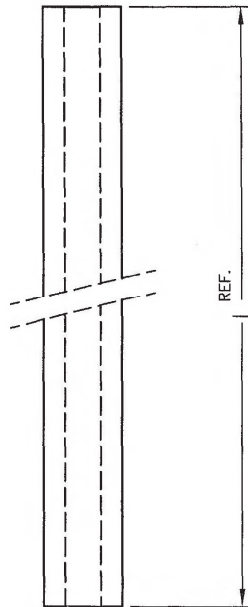
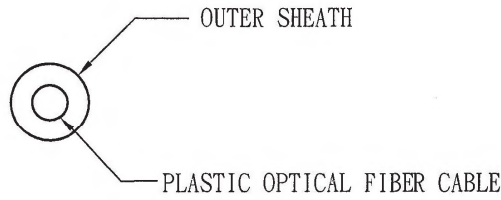


TOBY ELECTRONICS LTD  
 toby.co.uk | sales@toby.co.uk

PROPRIETARY AND CONFIDENTIAL THIS DRAWING IS THE SOLE PROPERTY OF TOBY ELECTRONICS MANUFACTURER. ANY REPRODUCTION IN PART OR AS A WHOLE WITHOUT THE WRITTEN PERMISSION OF TOBY ELECTRONICS MANUFACTURER IS PROHIBITED DO NOT SCALE DRAWING	DATE	2018.09.07	TITLE	OPTICAL FIBER MOUNT		DWG. NO.	PART NO.	
	DRAWN	Louis	MATERIAL	NYLON 66 UL94V-0		PMR-13	PMR-13V0(B)	
	CHECKED	林祺翔	COLOR	BLACK	FINISH	SIZE	SPEC. DWG.	REV
	APPROVED	Lang	UNLESS OTHERWISE SPECIFIED TOLERANCE: SEE ABOVE		A4	A		
			SCALE: 4:1	UNIT	mm	SHEET 1 OF 1		

**FLEX FIBRE FOR FLK-xxx-xxx-X**

REVISIONS			
REV	DESCRIPTION	DATE	BY



PART NO.	L=MM
FLB-3BK-	XX mm

	DIM	MATERIAL
OUTER SHEATH	$\phi 2.2^{\pm 0.07}$	PE/BLACK
FIBER TYPE CORE	$\phi 1.0^{\pm 0.2}$	POLYMETHY1 METHACRYLATE(PMMA)
FIBER TYPE CLAD		FLUORINATED POLYMER

NOTE : TRIMMED BY HAND, IT MIGHT NOT BE SMOOTH.

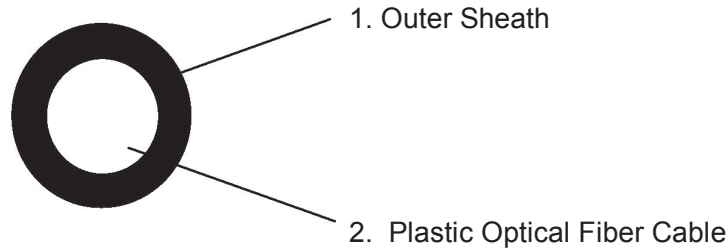
<b>TOBY ELECTRONICS LTD</b>				TITLE	OPTICAL FIBER LINE	SPEC. DWG.	
				DATE	2009.08.03		
sales@toby.co.uk   toby.co.uk				CORE MATERIAL	SEE ABOVE	DRAWN	HANK
				CLADDING MATERIAL	SEE ABOVE	CHECK	薛梅
PART NUMBER		DRAWING NUMBER		JACKET MATERIAL	SEE ABOVE	APPROVED	Kang
FLB-3BK-XX		FLB-3BK-XX		UNLESS OTHERWISE SPECIFIED TOLERANCE	SEE ABOVE		
SIZE	SCALE	UNIT	REV				
A4	5:1	mm	A				

## Plastic Optical Fiber Simplex OD2.2



### FLB-3BK-xx: Specifications

Simplex Cord



Fiber types	Core	Polymethyl Methacrylate (PMMA)
	Clad	Fluorinated Polymer
Diameter,mm		1.0mm± 0.06mm
Attenuation at 650nm*		0.2 dB/m
Outer diameter ,mm		2.2mm± 0.1mm
Outer sheath		PE
Sheath Color		BLACK
Numerical Aperture	N/A	0.5
Fiber Minimum Bend Radius		> 25mm
Tensile Strength (YIELD POINT)		64N
Cable Length		5.25Km
Cable weight		Approx. 23kg
Storage, installation, operating temperature		-20~+70°C

\*Attenuation losses may be effected on cut lengths.

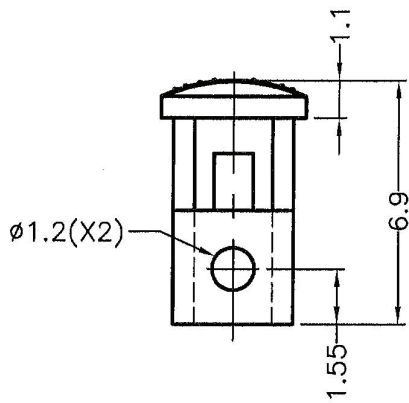
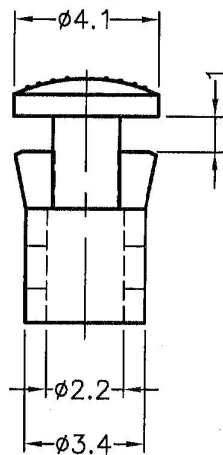
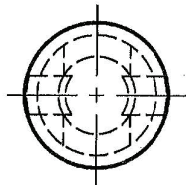
**TOBY ELECTRONICS LTD**

sales@toby.co.uk | toby.co.uk

DIM.	TOL
5mm DOWN	±0.2
5~20mm	±0.3
20~40mm	±0.4
40~60mm	±0.5
60~100mm	±0.8
100mm UP	±1.0

### LENS FOR FLK-xxx-xxx-X

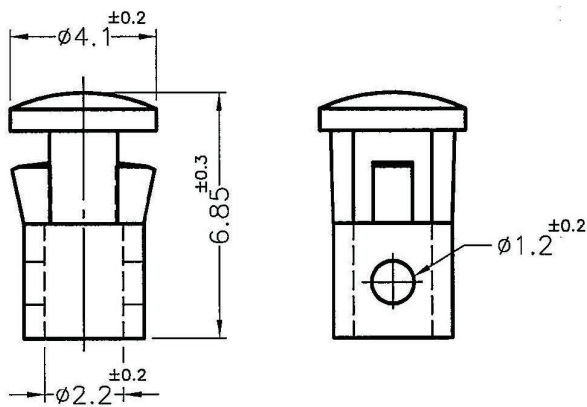
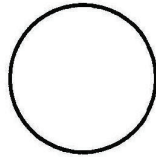
REVISIONS			
REV	DESCRIPTION	DATE	BY



HOLE IN CHASSIS  $\phi 3.5\text{mm}$   
CHASSIS THICKNESS 1.0mm

NOTE: All measurement does not include gate which raises under 0.3mm.

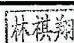

<p>TOBY ELECTRONICS LTD toby.co.uk   sales@toby.co.uk</p>				TITLE	LED CAP	SPEC. DWG	
				MATERIAL	PC UL94V-2	DATE	2004.01.16
				FINISH	BRIGHT	DRAWN	S.J.C.
				COLOR	NATURAL	CHECK	
PART NUMBER	LEU-1	DRAWING NUMBER	LEU-1	UNLESS OTHERWISE SPECIFIED TOLERANCE	SEE ABOVE	APPROVED	
SIZE	A4	SCALE	5:1	UNIT	mm	REV	A



HOLE IN CHASSIS  $\phi$ 3.5mm  
THICKNESS 0.8mm

NOTE: 1. SHRINKING IS NORMAL STATUS.  
2. MADE OF EQUIVALENT MATERIAL.

TOBY ELECTRONICS LTD  
toby.co.uk | sales@toby.co.uk

PROPRIETARY AND CONFIDENTIAL THIS DRAWING IS THE SOLE PROPERTY OF TOBY ELECTRONICS MANUFACTURER. ANY REPRODUCTION IN PART OR AS A WHOLE WITHOUT THE WRITTEN PERMISSION OF TOBY ELECTRONICS MANUFACTURER IS PROHIBITED DO NOT SCALE DRAWING	DATE	2006.08.09	TITLE	LED CAP	DWG. NO.	LEU-2	PART NO.	LEU-2	
	DRAWN	LEEYA	MATERIAL	PC UL94V-2	SIZE	A4	SPEC. DWG	REV	B
	CHECKED		COLOR	NATURAL	FINISH	MATTE	SCALE: 5:1	UNIT	mm
	APPROVED		UNLESS OTHERWISE SPECIFIED TOLERANCE:	SEE ABOVE		SHEET 1 OF 1			