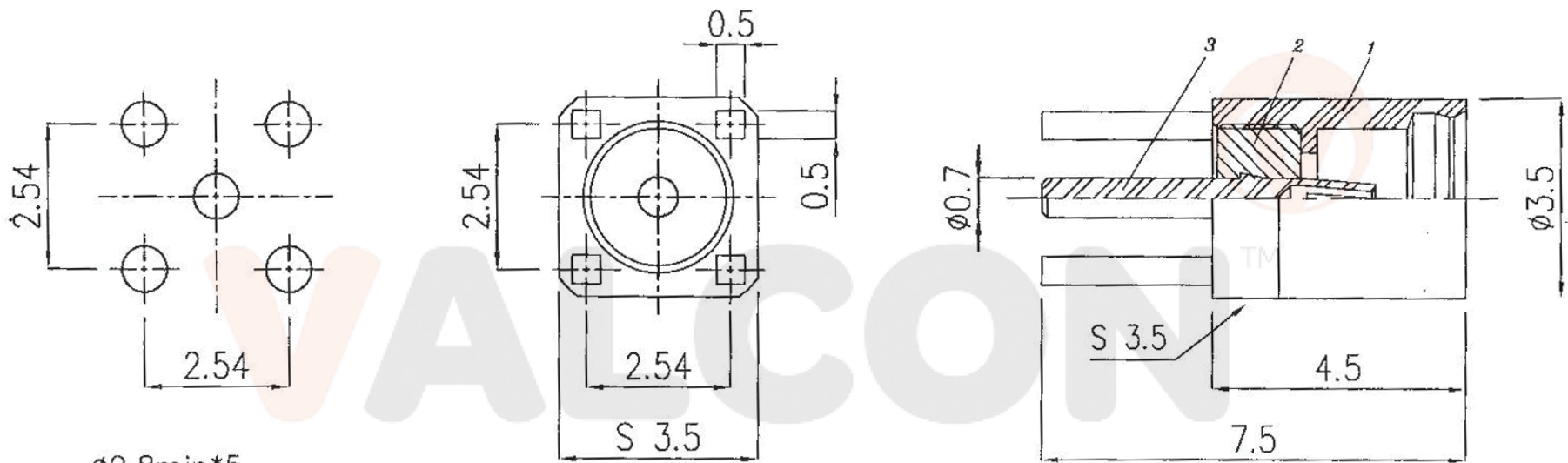


TOBY ELECTRONICS
sales@toby.co.uk | toby.co.uk

ITEM NO.	13-P215-1A-2-R	圖號	.MMCX\13-P215-1A-2-ROHS		版次	A 版
PLATING	GGT	DATE	2006 年 03 月 23 日		製圖	Elva
		單位	mm	比例	8.8:1	
DESCRIPTION	MMCX STRAIGHT PCB MOUNT JACK RECEPTACLE	UNIT	mm	SCALE	8.8:1	設計
		公差	0-0.5mm ± 0.10mm 8-30mm ± 0.40mm	0.5-8mm ± 0.20mm 30-120mm ± 0.50mm	圖定	APPROVED

NO	DESCRIPTION	Q'TY	ITEM NO.	MATERIAL	PLATING
1	BODY	1	13-P215-1A-2-ROHS	BRASS	GOLD
2	DIELECTRIC	1	T-020005	PTFE	-
3	CENTER PIN	1	13-P215-1A-2	BERYLLIUM COPPER	GOLD

GGT: 1st G is Gold for body. 2nd G is Gold for pin.
3rd T is PTFE for insulation.



$\phi 0.8\text{min} * 5$
 PCB MOUNTING HOLE

QUALITY VALUE COMPONENTS

ELECTRICAL :	
IMPEDANCE :	50 Ω
FREQUENCY :	0-6 GHz
VSWR :	1.2 Max.

TOBY ELECTRONICS LTD
 sales@toby.co.uk | toby.co.uk

ITEM NO.	13-P215-ROHS	圖號 DRAWING NO.	MMCX\13-P215-ROHS		版本 EDITION	A 版
PLATING	GGT	日期 DATE	2006 年 03 月 23 日		製圖 DRAWER	Elva
DESCRIPTION	MMCX STRAIGHT PCB MOUNT JACK RECEPTACLE	單位 UNIT	mm	比例 SCALE	9.3:1	設計 DESIGN
		公差	0-0.5mm \pm 0.10mm	0.5-8mm \pm 0.20mm	認定	<i>[Signature]</i>
			8-30mm \pm 0.40mm	30-120mm \pm 0.50mm	APPROVED	

NO	DESCRIPTION	QTY	ITEM NO.	MATERIAL	PLATING
1	BODY	1	13-P215-ROHS	BRASS	GOLD 3-5 μ " MIN.
2	DIELECTRIC	1	T-020005	PTFE	-
3	CENTER PIN	1	13-P215	BERYLLIUM COPPER	GOLD 10 μ " MIN.

GGT: 1st G is Gold for body. 2nd G is Gold for pin.
 3rd T is PTFE for insulation.