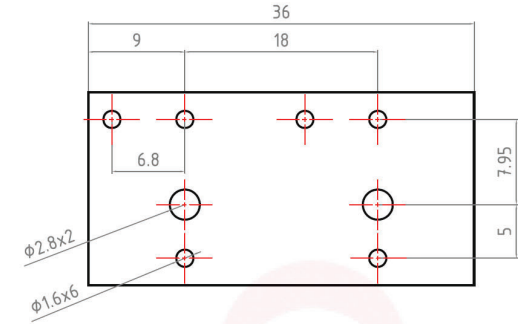
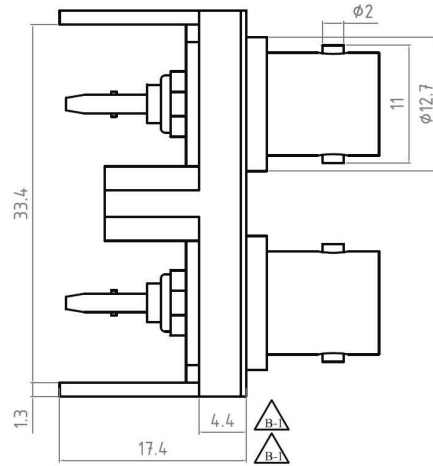


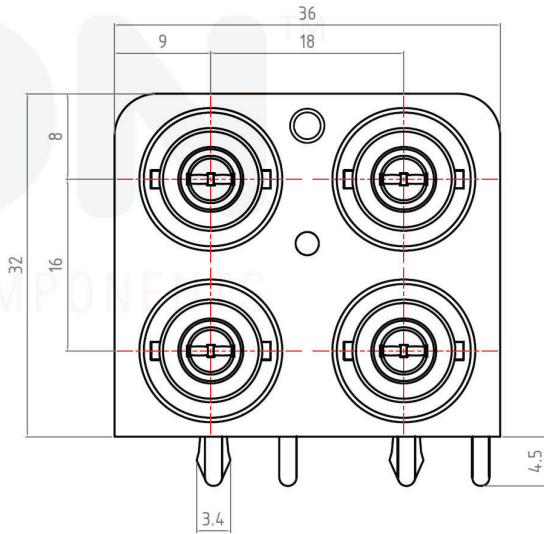
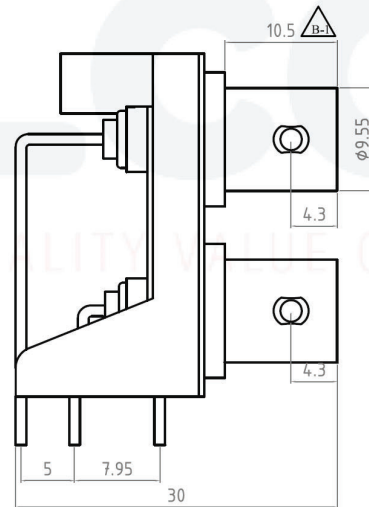
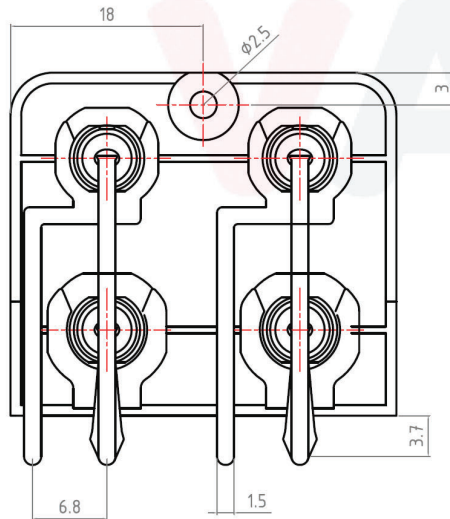
Revisions

Note: Revisions B; B-1; B-2..... On behalf of official Drawing.  
 Revisions 1; 2; 3; 4..... On behalf of experimant's Drawing.

ISS	Symbol	Description	Date
B		CHE for New Drawing Frame & New PN System	2006/07/11
B-1		CHE for Dimensions ; from 11 to 10.5, from 4 to 4.4 ; from 17 to 17.4 .	2011/01/20



Recommended PCB Layout



ITEM	Description	Material	Finish	Part Number	QTY	Scale	Abbr.	Date	Rev.
6						NTS	ST	2011/10/20	B-1
5						Tolerances : .X ±0.25 .XX ±0.15 .XXX ±0.05			
4	Pin	Brass	Nickel(P)		4	 All Dimensions in mm (Unless Otherwise Specified)			
3	Insulator	Delrin	None		4	Drawn	Checked	Approved	
2	Body	Diecast	Nickel		4	<i>Mark Ryan G. Sun</i>			
1	Bracket	ABS	Black		1	<i>Mark Ryan G. Sun</i>			
ITEM	Description	Material	Finish	Part Number	QTY	2011/10/20	2011/10/20	2011/10/20	

**Proprietary Note**  
 This document contains information proprietary to Toby Electronics manufacturing partner which is either copyrighted, patent applied and/or protected by trade secret laws. This document or parts thereof may not be used, disclosed or reproduced in any form, by any method, for any purpose without the express written permission of Toby Electronics manufacturing partner.

P/N: **16-1052**

TITLE: **BNC R/A Jack, PCB Type**

DWG. NO. **B912AB0N17/Z**

TOBY ELECTRONICS LTD | sales@toby.co.uk