

Revisions

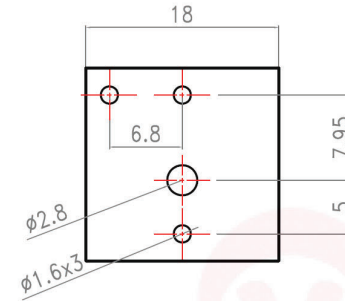
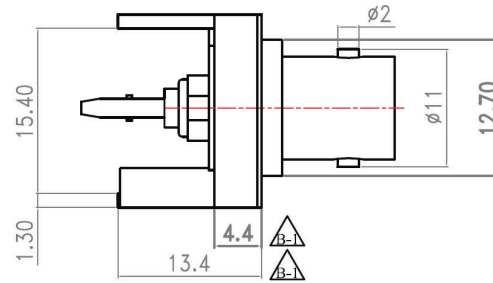
Note: Revisions B; B-1; B-2..... On Behalf of Official Drawing.
Revisions 1; 2; 3; 4..... On Behalf of Experiment's Drawing.

ISS	Symbol	Description	Date
B		CHE for New Drawing Frame & New PN System	2006/07/10
B-1		CHE for Dimensions ; from 11 to 10.5, from 4 to 4.4 ; from 13 to 13.4 .	2011/01/20

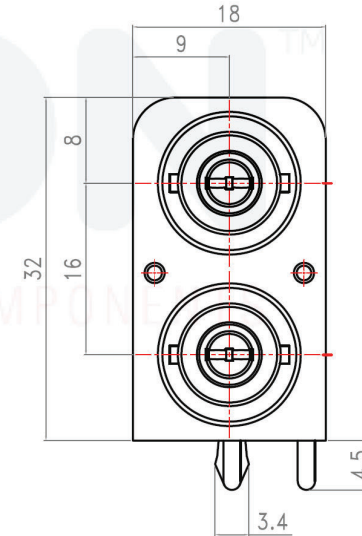
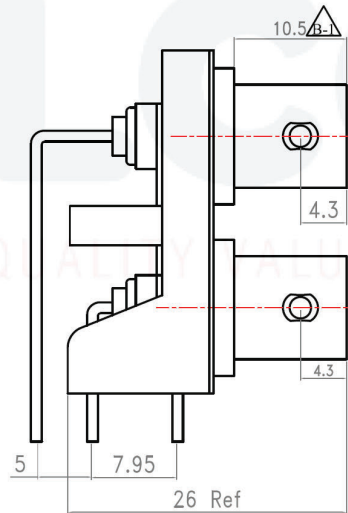
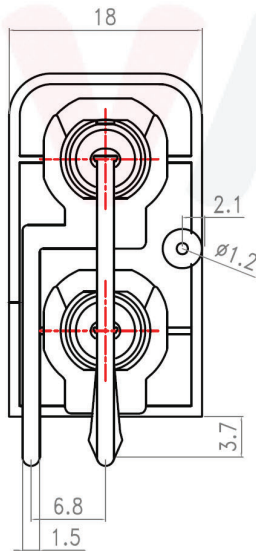
Note :

- All metal material is in compliance with RoHs Directive 2002/95/EC Annex 4 (1) Section 6 paragraph.

Outline Drawing



Recommended PCB Layout



RoHS COMPLIANCE

ITEM	Description	Material	Finish	Part Number	QTY	Scale	Abbr.	Date	Rev.	Proprietary Note	P/N:	TITLE
6						NTS	ST	2011/10/20	B-1	This document contains information proprietary to Toby Electronics manufacturing partner which is either copyrighted, patent applied and/or protected by trade secret laws. This document or parts thereof may not be used, disclosed or reproduced in any form, by any method, for any purpose without the express written permission of Toby Electronics manufacturing partner.	16-1050	BNC R/A Jack, PCB Type
5												
4	Pin	Brass	Nickel(P)			Tolerances : .X ±0.2 .XX ±0.1 .XXX±0.05				DWG.NO. B910AB0N17/Z		
3	Insulator	Delrin	None			All Dimensions in mm (Unless Otherwise Specified)			Drawn		Checked	Approved
2	Body	Diecast	Nickel									
1	Bracket	ABS	Black									
						Mark	Ryan	G. Sun				
						2011/10/20	2011/10/20	2011/10/20				
										TOBY ELECTRONICS LTD sales@toby.co.uk		