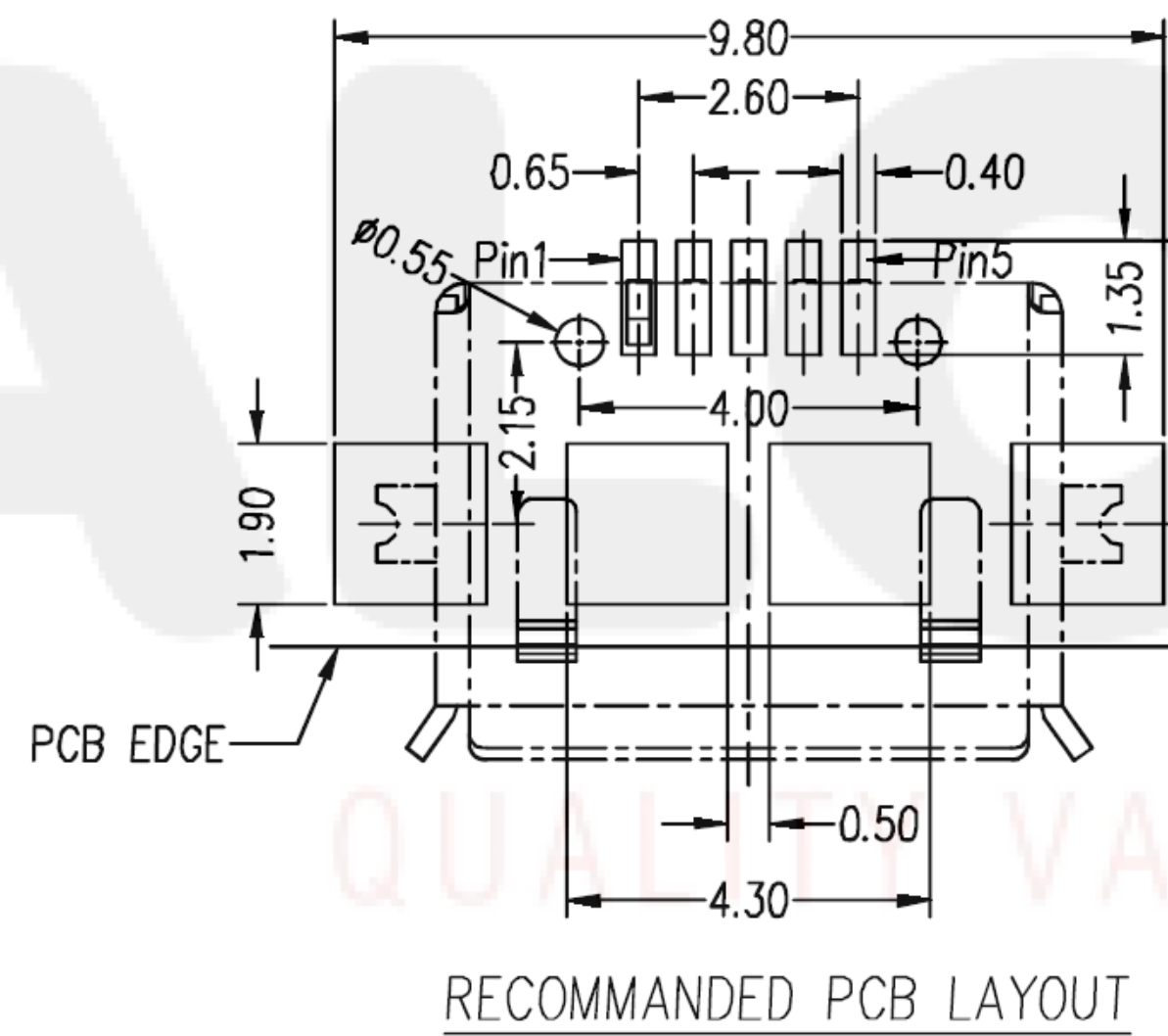
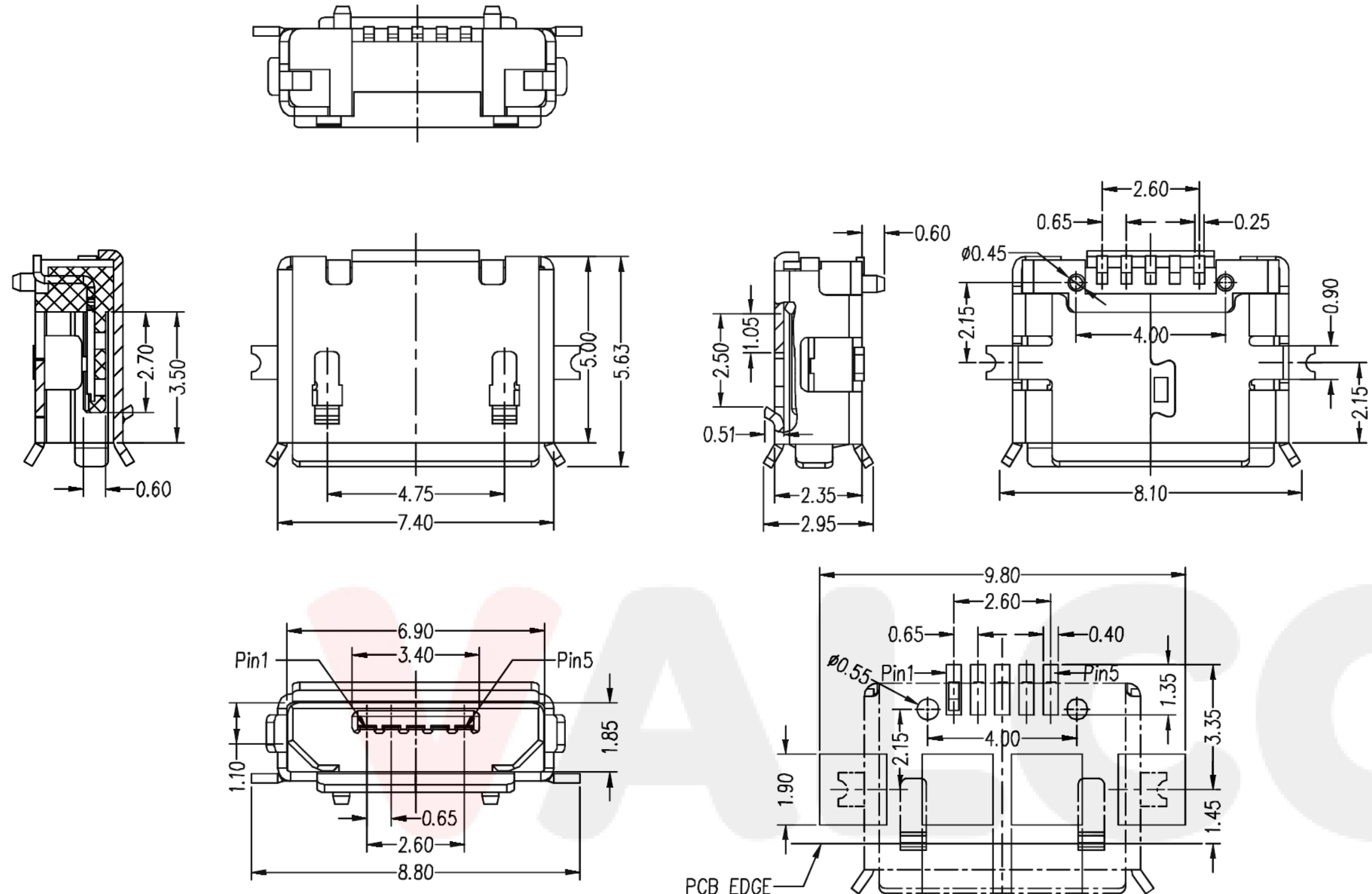


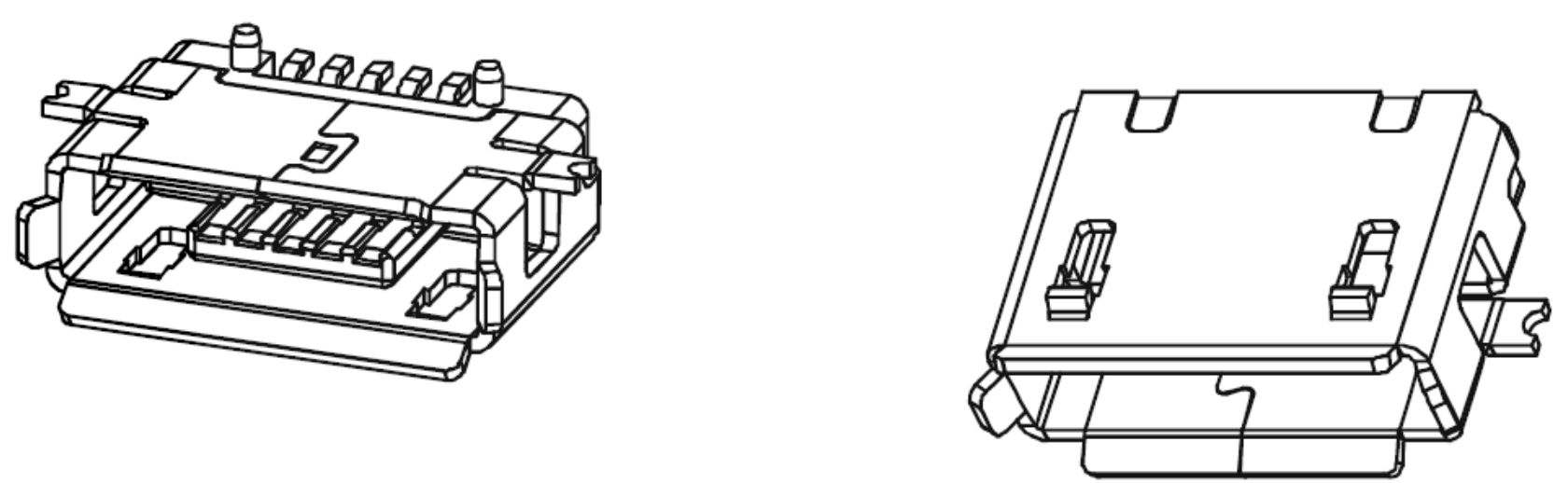
REV.	DESCRIPTION	DRAWN	CHECKED	APPROVED
A	NEW RELEASE	JLZ 05/18/16'	~	

NOTES:

- 1.1 INSULATOR RESISTANCE: 100MΩ Min. AT 100V DC.
 - 1.2 CURRENT RATING: 1.0A FOR PIN1 AND PIN5.
 - 1.3 DIELECTRIC STRENGTH: AC 100V FOR 1 Minute.
 - 1.4 HOUSING: THERMOPLASTIC (UL 94-0).Black
 - 1.5 CONTACT: COPPER ALLOY.PLATED:Selective Gold Flash
 - 1.6 SHELL: COPPER ALLOY.PLATED:Matt Tin
 - 1.7 PACKING TYPE:Tape on reel
- PRODUCT NUMBER CODE: **MUSB-006-023**



RECOMMENDED PCB LAYOUT



GENERAL TOLERANCE		ANGLE TOLERANCE		PROJECTION	⊕ - ⊖	TITLE
X.	±0.60	X.	±5°			Micro USB AB Type Female 5 Positions
.X	±0.38	.X	±3°			SMT W/ Post Type
.XX	±0.25	.XX	±2°			
DRAWING TYPE				CUSTOMER		
SCALE		1:1	SHEET	1 OF 1		
DRAWING NO.		MUSB-xx6-0xx				
TOBY ELECTRONICS LTD						
www.toby.co.uk sales@toby.co.uk						



Toby

QUALITY VALUE COMPONENTS