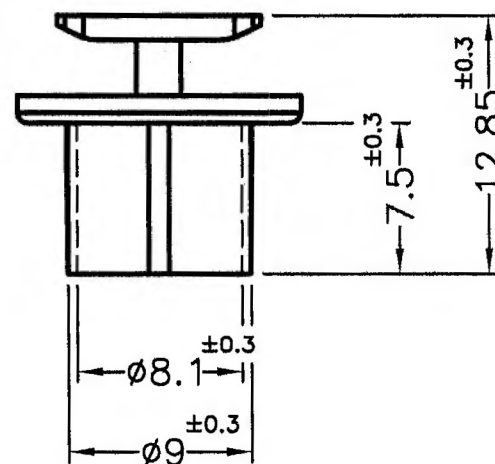
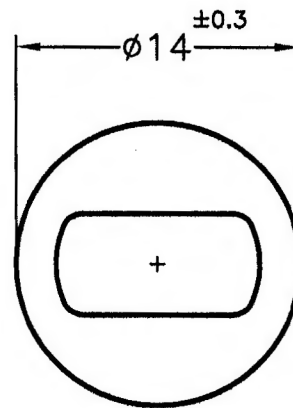


| REVISIONS | | | |
|-----------|-------------|------|----|
| REV | DESCRIPTION | DATE | BY |
| | | | |
| | | | |



| | |
|----------|-------|
| PART NO. | COLOR |
| MOUC-1 | BLACK |

NOTE:MADE OF EQUIVALENT MATERIAL.

| | | | | | | | |
|---|-------|------|-----|--------------------------------------|-----------------|------------|------------|
| TOBY ELECTRONICS LTD www.toby.co.uk sales@toby.co.uk | | | | TITLE | CONNECTOR COVER | SPEC. DWG. | |
| | | | | MATERIAL | PP | DATE | 2009.09.25 |
| PART NUMBER SEE ABOVE | | | | DRAWING NUMBER MOUC-1(B) | | DRAWN | SAI |
| | | | | FINISH | | CHECK | |
| SIZE | SCALE | UNIT | REV | COLOR | BLACK | APPROVED | |
| A4 | 2:1 | mm | B | UNLESS OTHERWISE SPECIFIED TOLERANCE | SEE ABOVE | | |