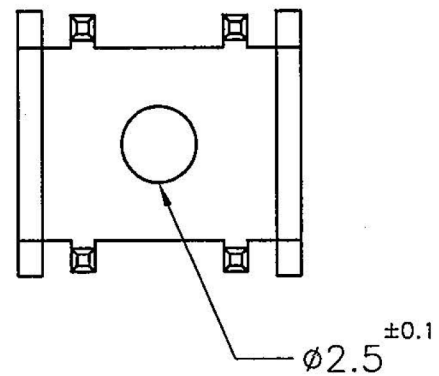
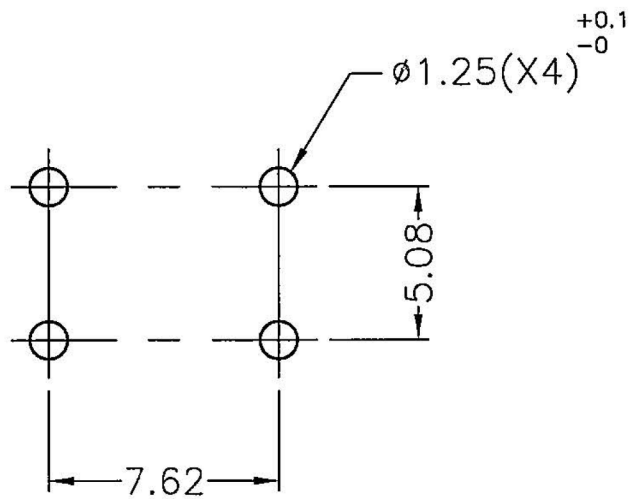
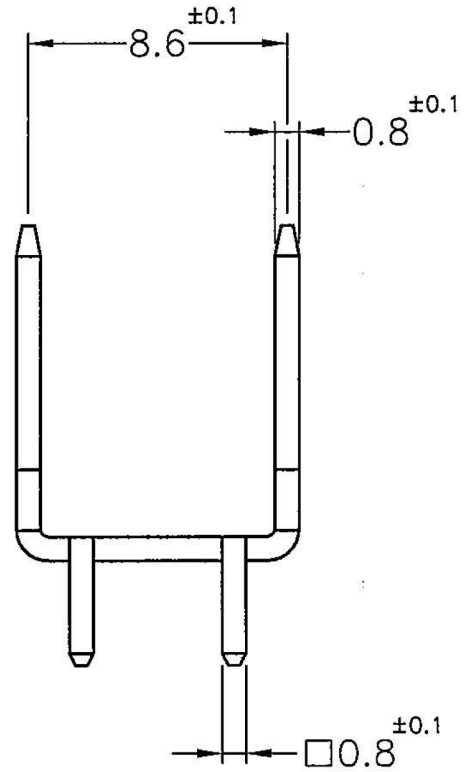
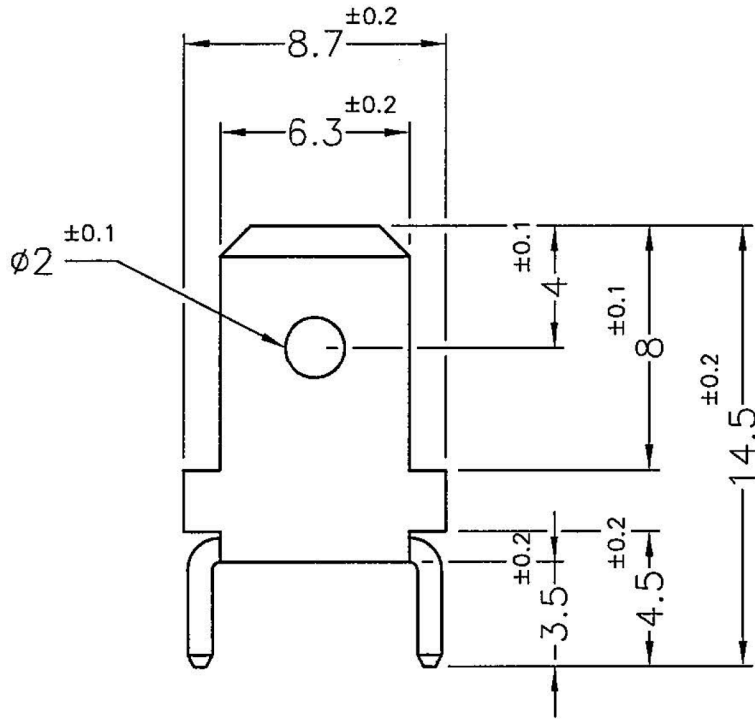



- Material: Tin Plated Brass
- Suggested Current: 20 Amps
- Unit: mm



MOUNTING HOLE

TOBY ELECTRONICS LTD  
www.toby.co.uk | sales@toby.co.uk



	DATE 2000.10.19	TITLE P.C.B TERMINAL		DWG. NO. PCU250		PART NO. PCU250	
	DRAWN JASON	MATERIAL BRASS		SIZE A4		SPEC. DWG.	
	CHECKED 林祺翔	COLOR	FINISH TIN PLATED	SCALE: 3:1		UNIT mm	REV A
	APPROVED Kang	UNLESS OTHERWISE SPECIFIED TOLERANCE: SEE ABOVE		SHEET 1 OF 1			

DO NOT SCALE DRAWING