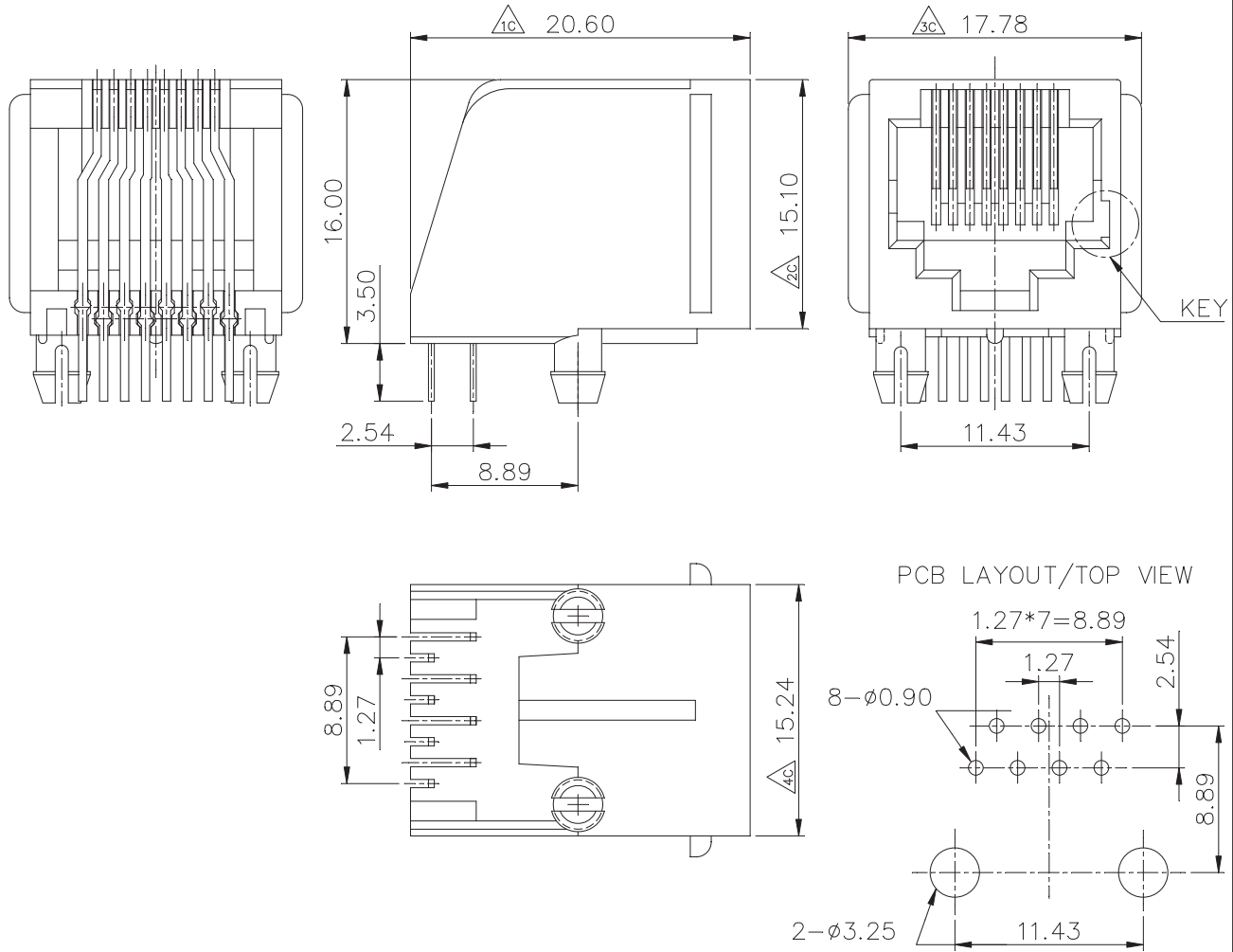


MATERIALS:

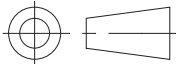
PLASTIC HOUSING: ENGINEERING THERMOPLASTIC
 FLAMMABILITY RATING UL 94V-0.

CONTACTS: PHOSPHOR BRONZE

PLATING: 6u" GOLD PLATING OVER NICKEL IN CONTACT.
 TIN PLATING OVER NICKEL IN SOLDER AREA.



※△checkmark for QC check

DR. LILY 87-08-28	APPD. Jerry 93-04-05	.XXX ±0.10 .XX ±0.25 .X ±0.38 X ±0.50 ANG ±3°	TOLERANCE	ARTICLE SIDE ENTRY PCB JACK(8P8C)								
REVISION NOTE		DWG NO. 3001675800		ARTICLE NO. 3001F-8811								
TOBY ELECTRONICS LTD www.toby.co.uk sales@toby.co.uk				<table border="1"> <tr> <td>UNIT</td> <td>SCALE</td> <td>SHEET</td> <td>REV.</td> </tr> <tr> <td>mm</td> <td>2.5/1</td> <td>1/1</td> <td>A</td> </tr> </table>	UNIT	SCALE	SHEET	REV.	mm	2.5/1	1/1	A
UNIT	SCALE	SHEET	REV.									
mm	2.5/1	1/1	A									

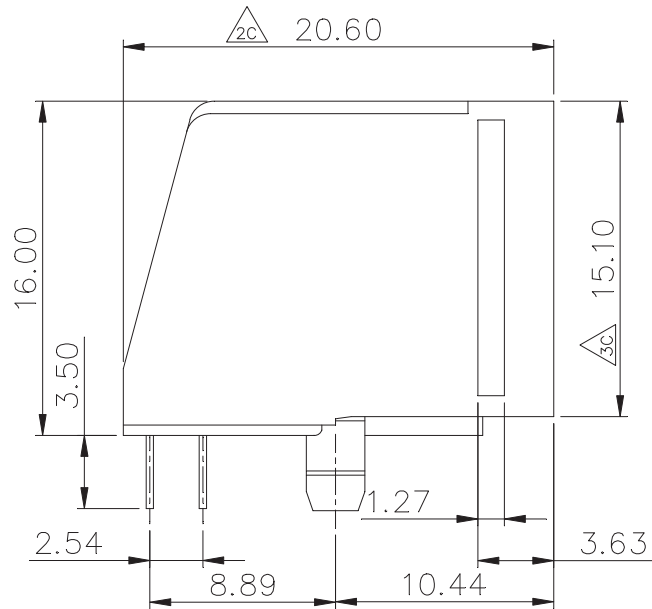
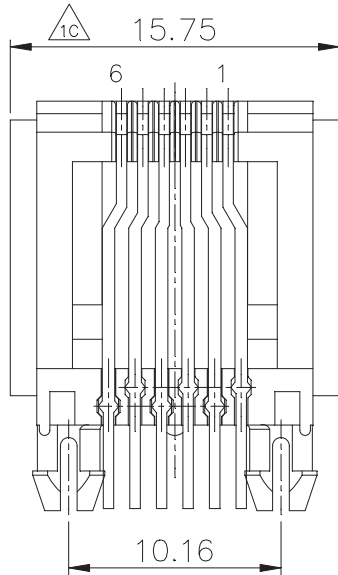
MATERIALS:

PLASTIC HOUSING: ENGINEERING THERMOPLASTIC
 FLAMMABILITY RATING UL 94V-0.

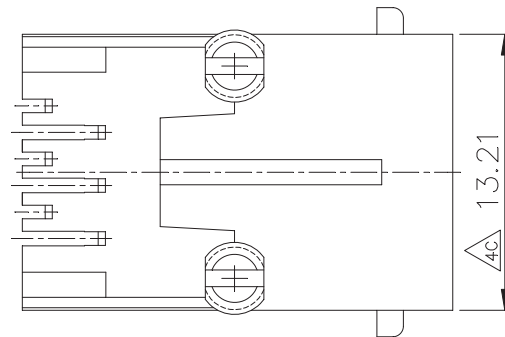
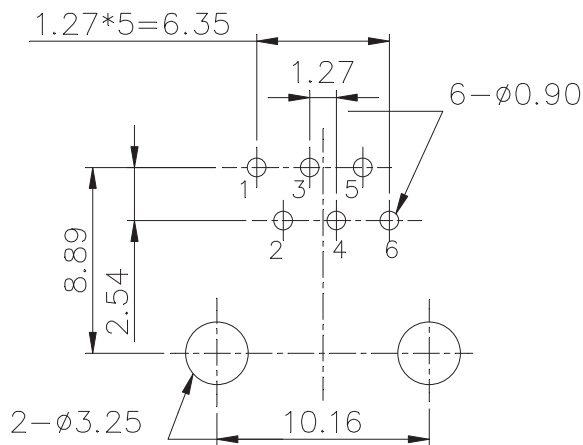
RoHS COMPLIANT

CONTACTS: PHOSPHOR BRONZE

PLATING: 6u" GOLD PLATING OVER NICKEL IN CONTACT.
 TIN PLATING OVER NICKEL IN SOLDER AREA.



PCB LAYOUT/TOP VIEW



※△checkmark for QC check

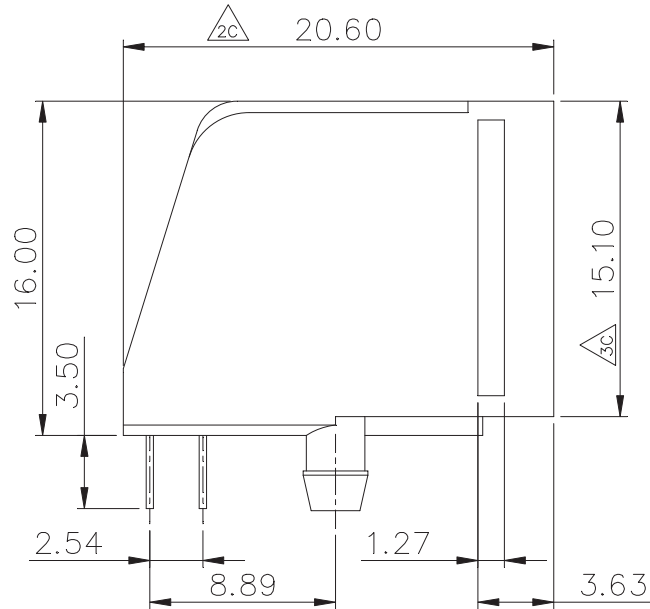
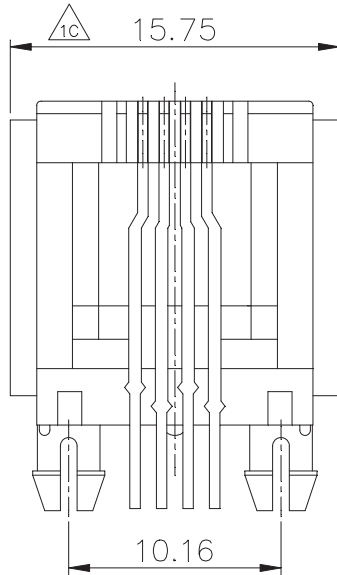
DR. LILY 98-04-28	APPD. Jerry 98-04-28	.XXX ±0.10 .XX ±0.25 .X ±0.38 X ±0.50 ANG ±3°	ARTICLE SIDE ENTRY PCB JACK(6P6C)
REVISION NOTE		TOLERANCE	ARTICLE NO. 3001F-6221
DWG NO. 3001273900			
TOBY ELECTRONICS LTD www.toby.co.uk sales@toby.co.uk		UNIT mm	SCALE 3/1
			SHEET 1/1
			REV. B

MATERIALS:

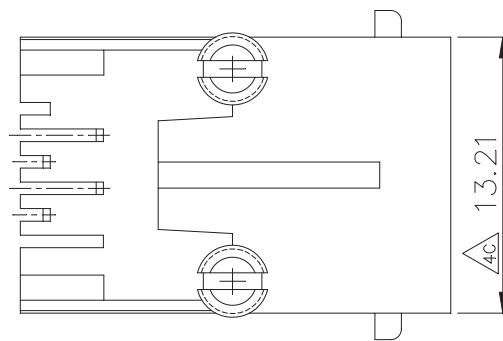
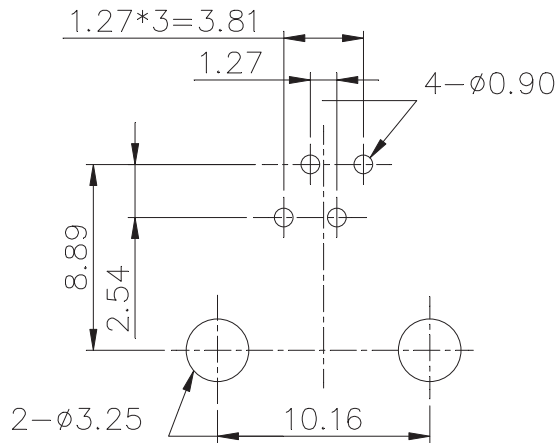
PLASTIC HOUSING: ENGINEERING THERMOPLASTIC
 FLAMMABILITY RATING UL 94V-0.

CONTACTS: PHOSPHOR BRONZE

PLATING: 6u" GOLD PLATING OVER NICKEL IN CONTACT.
 TIN PLATING OVER NICKEL IN SOLDER AREA.



PCB LAYOUT/TOP VIEW



※△checkmark for QC check

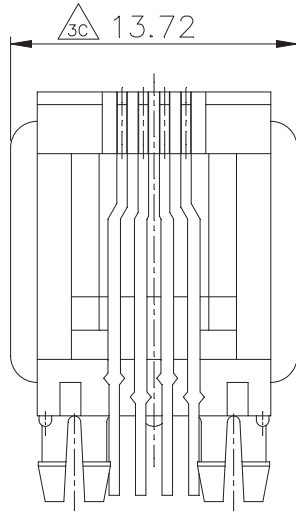
DR. LILY 90-05-25	APPD. Jerry	.XXX ±0.10 .XX ±0.25 .X ±0.38 X ±0.50 ANG ±3°	ARTICLE SIDE ENTRY PCB JACK(6P4C)
REVISION NOTE			ARTICLE NO. 3001F-6421
DWG NO. 3001271300			
TOBY ELECTRONICS LTD www.toby.co.uk sales@toby.co.uk			UNIT mm SCALE 3/1 SHEET 1/1 REV. A

MATERIALS:

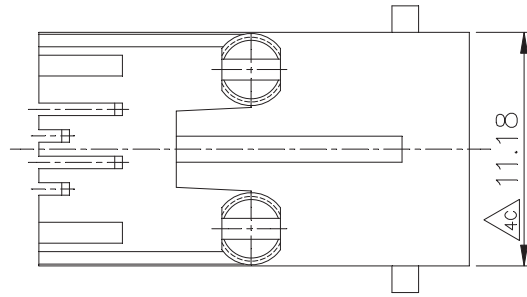
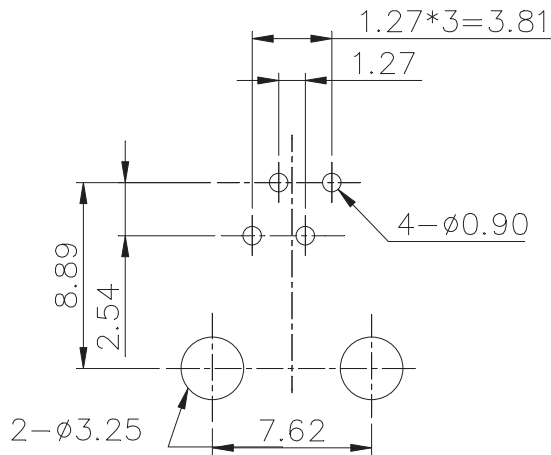
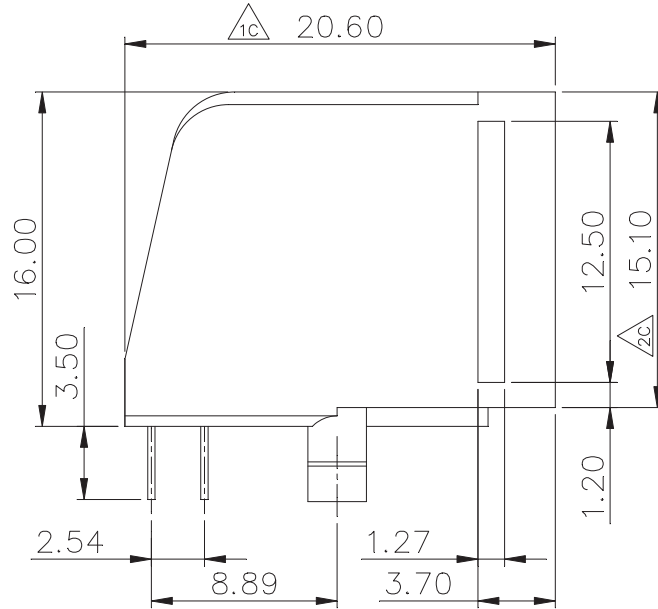
PLASTIC HOUSING: ENGINEERING THERMOPLASTIC
 FLAMMABILITY RATING UL 94V-0.

CONTACTS: PHOSPHOR BRONZE

PLATING: 6u" GOLD PLATING OVER NICKEL IN CONTACT.
 TIN PLATING OVER NICKEL IN SOLDER AREA.



PCB LAYOUT/TOP VIEW

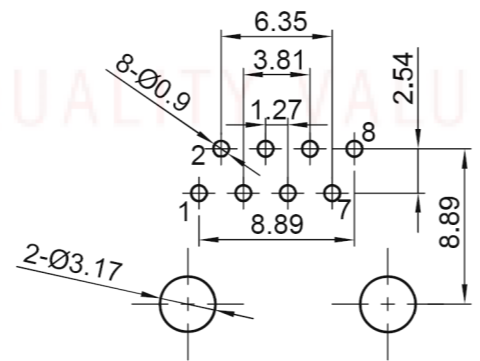
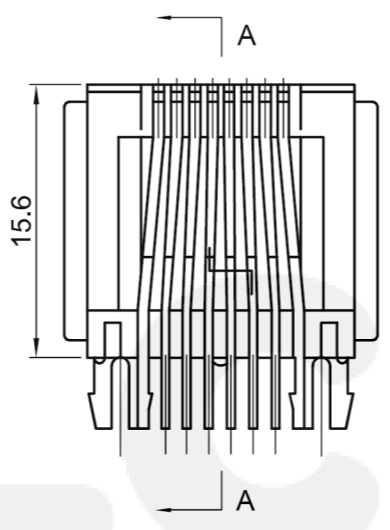
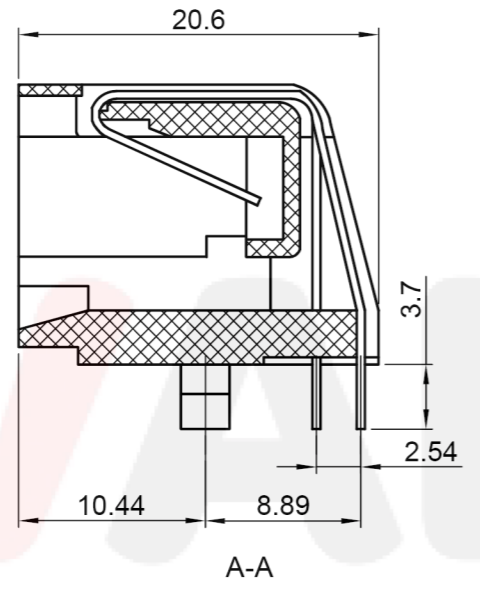
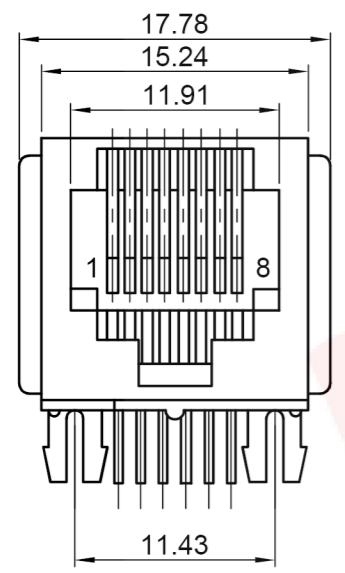
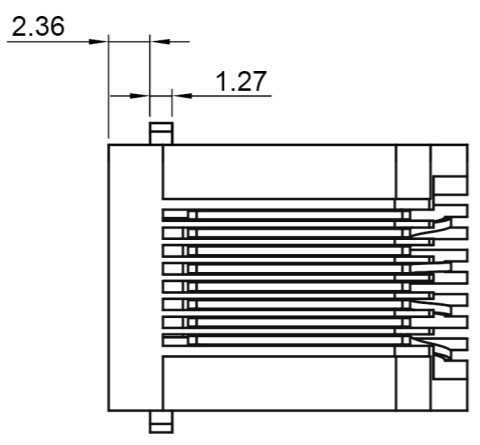


※△ checkmark for QC check

DR. LILY 88-09-28	APPD. Jerry	.XXX ±0.10 .XX ±0.25 .X ±0.38 X ±0.50 ANG ±3°	ARTICLE SIDE ENTRY PCB JACK(4P4C)			
REVISION NOTE	DWG NO. 3001131100		ARTICLE NO. 3001F-4421			
TOBY ELECTRONICS LTD www.toby.co.uk sales@toby.co.uk			UNIT mm	SCALE 3/1	SHEET 1/1	REV. A

Dept	Qty
DC	1
ED	1
IE	1
ISO	1
PD	1
R&D	1
SD	1
QA	1
QC	1
QE	1

REV.	DESCRIPTION	DRAWN	CHECKED	APPROVED
A	NEW RELEASE	LL 06/26/06'		LJC 06/26/06'
B	Plating change	JLZ 07/20/15'		LJC 07/20/15'
C	DRAWING UPDATE	JLZ 11/11/20'		



Recommend PCB Layout(Tolerance=±0.05)

- Notes:
- Electrical Characteristics:
 - Contact Resistance: 30mΩ Max.
 - Dielectric Withstanding Voltage: 500V AC(rms) For 1 Minute.
 - Insulation Resistance: 500M Ω Min.
 - Current Rating:1.5A. Ω
 - Voltage Rating:125V AC rms.
 - Environment Characteristics:
 - Temperature: -40°C~+85°C.
 - Materials:
 - Contact Material: Copper Alloy.
 - Contact Plating: Selective Gold Flash & Tin Plating Over Nickel.
 - Insulator Materials:PBT Black,UL94-V0.

PART NUMBER: 3001F-8821



(Series Image-Reference Only)

GENERAL TOLERANCE		ANGLE TOLERANCE		PROJECTION		TITLE	PCB Jack 8 Positions W/O Shell L=20.57mm 3001 SERIES
X.	±0.60	X.	±5°	UNITS	mm		
.X	±0.38	.X	±3°	SHEET SIZE	A4		
.XX	±0.25	.XX	±2°	TOBY ELECTRONICS LTD www.toby.co.uk sales@toby.co.uk			
DRAWING TYPE		CUSTOMER					
SCALE	1:1	SHEET	1 OF 1				
DRAWING NO.		3001F-8821					