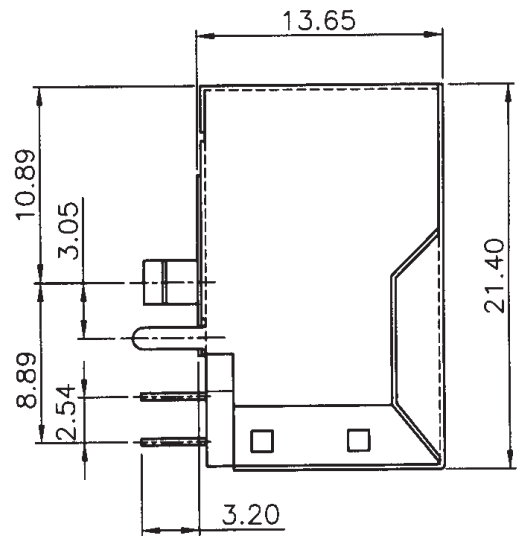
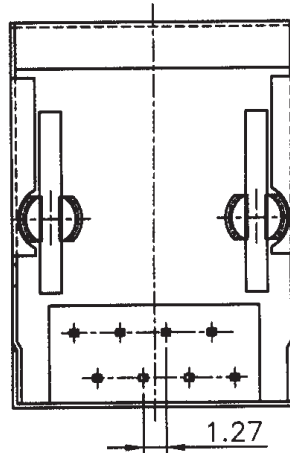
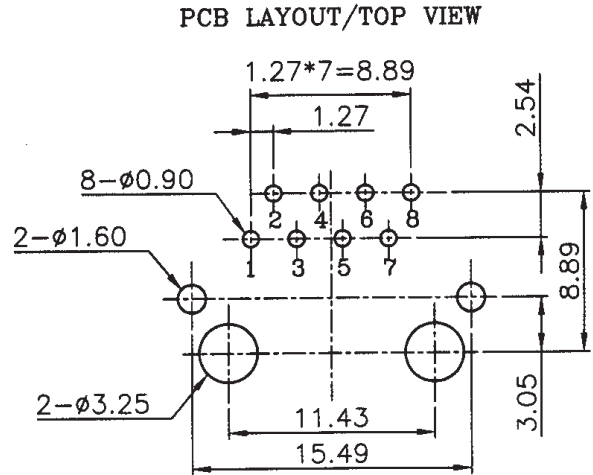
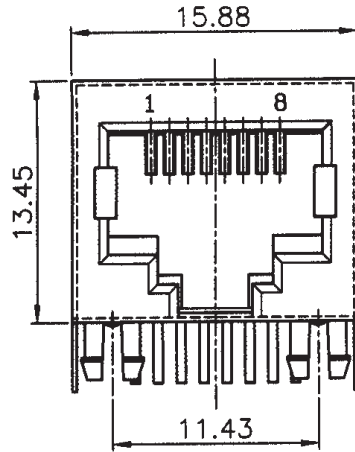
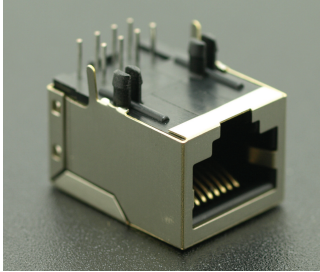


Right Angle Modular Shielded Side Entry RJ45 Type PCB Jacks 3012S-01 Series

Tab Down - Through board shielded type - 8 Positions / 8 Contacts



Ordering Information:

3012S - 01

Please check online @ www.toby.co.uk for current stock

Specification:

Contact material:	Phosphor Bronze
Contact plating:	6 micron (u") selective gold plated (standard)
Shield material:	Copper alloy / Ni plated
Housing:	Thermoplastic UL94V-0 rated
Insert Colour:	Black