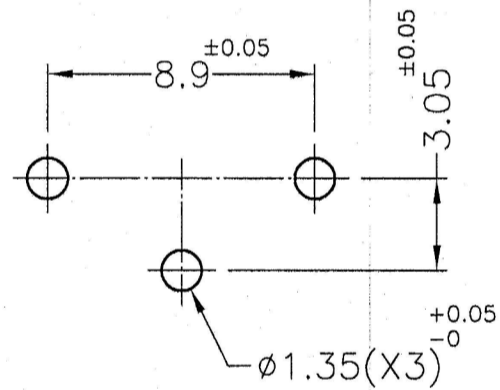
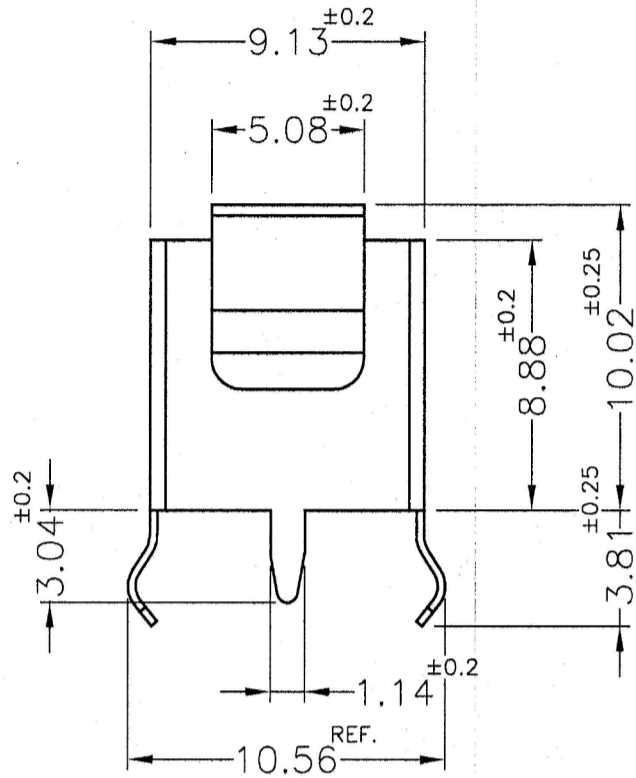
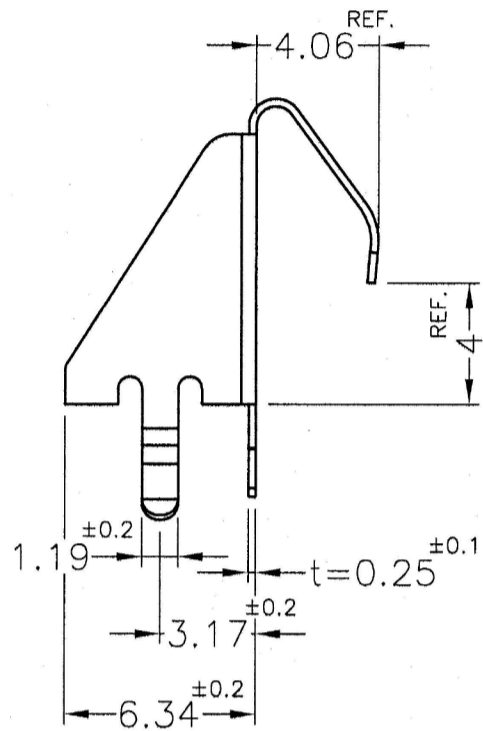


REVISIONS			
REV	DESCRIPTION	DATE	BY



MOUNTING HOLE

NOTE: 1. FINISH: NICKEL PLATED. IF PARTS ARE NOT USED UP PLEASE STORE IN A SEAL BAG.

符合歐盟ROHS規範 (RoHS Compliant)

★鉛Pb	<1000PPM
★鎘Cd	<100PPM
★汞Hg	<1000PPM
★六價鉻Cr6+	<1000PPM
★多溴聯苯類PBBs	<1000PPM
★多溴聯苯醚類PBDEs	<1000PPM

VALCON
QUALITY VALUE COMPONENTS

TITLE	SNAP-IN BUTTON CONTACT	SPEC. DWG.
MATERIAL	SPRING STEEL	DATE
FINISH	NI PLATED	DRAWN
COLOR		CHECK
UNLESS OTHERWISE SPECIFIED TOLERANCE	SEE ABOVE	APPROVED

PART NUMBER	PCB-68	DRAWING NUMBER	PCB-68HNI
SIZE	A4	SCALE	3:1
UNIT	mm	REV	A

Albert

Kang