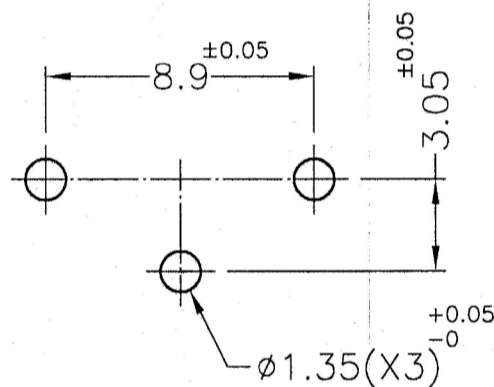
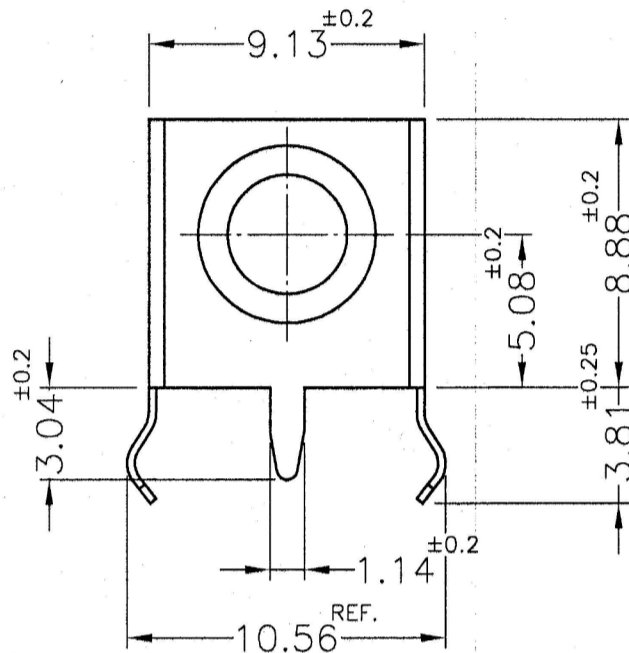
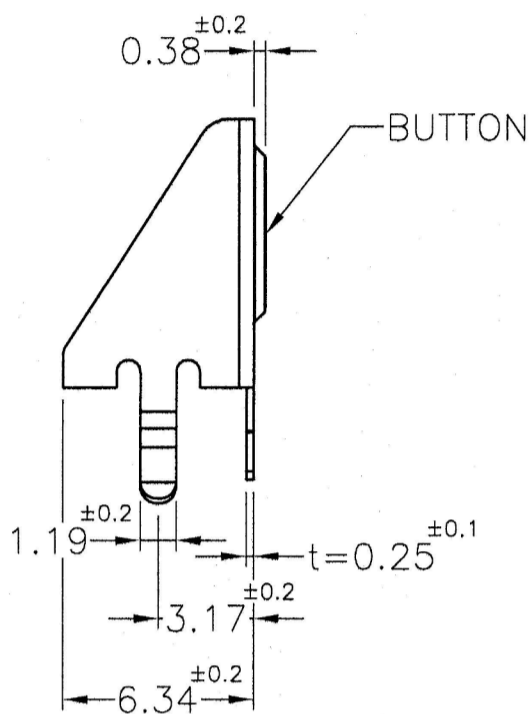


REVISIONS			
REV	DESCRIPTION	DATE	BY



MOUNTING HOLE

符合歐盟ROHS規範 (RoHS Compliant)	
★ 鉛Pb	<1000PPM
★ 鎘Cd	< 100PPM
★ 汞Hg	<1000PPM
★ 六價鉻Cr6+	<1000PPM
★ 多溴聯苯類PBBs	<1000PPM
★ 多溴聯苯醚類PBDEs	<1000PPM

NOTE:1. FINISH: NICKEL PLATED. IF PARTS ARE NOT USED UP PLEASE STORE IN A SEAL BAG.

		TITLE	SPEC. DWG.
		PC SNAP-IN BUTTON CONTACT	DATE
		MATERIAL	2014.02.17
		SPRING STEEL	DRAWN
		FINISH	ALBERT
		NI PLATED	CHECK
PART NUMBER		COLOR	APPROVED
PCB-67		UNLESS OTHERWISE SPECIFIED TOLERANCE	SEE ABOVE
DRAWING NUMBER		 	
PCB-67HNI			
SIZE	SCALE	UNIT	REV
A4	3:1	mm	A