

15

1501 09

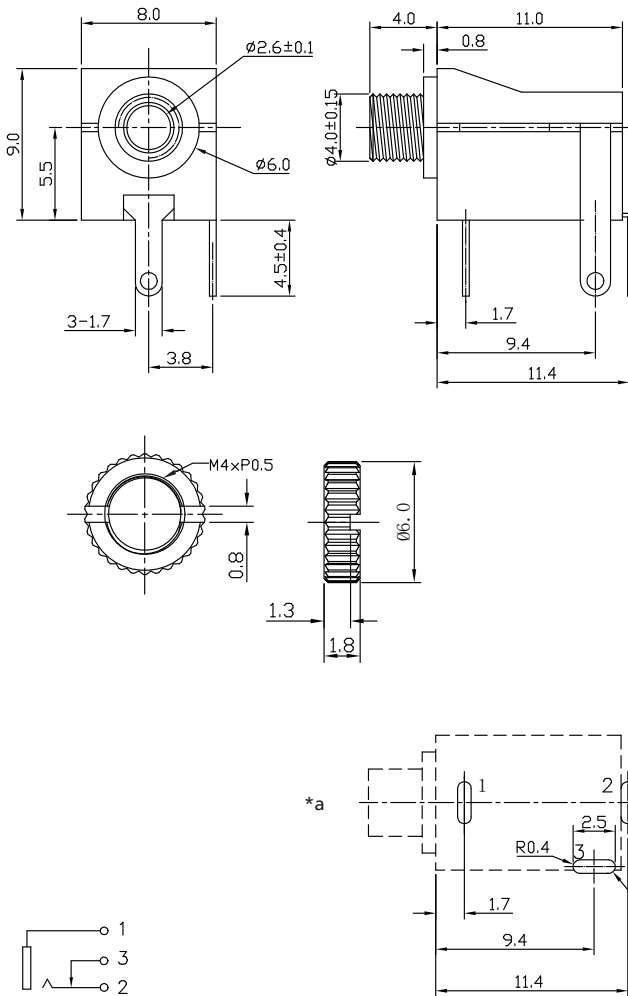
Jack connectors



Jack chassis socket acc. to JIS C 6560 JC25P2B, 2.5 mm, 2 poles/mono, angular version, with break contact and solder eyes, for printed circuit boards, for back side mounting

15

1501 09



Environmental conditions

Temperature range -20 °C/+60 °C

Materials

Insulating body PBT, V-0 according to UL94
Contact CuZn/steel, nickel-plated

Mechanical data

Mating cycles 5000
Insertion force 2.9–19.6 N
Withdrawal force 2.9–19.6 N

Electrical data (at T_{amb} 20 °C)

Contact resistance 30 mΩ
Rated current 1 A
Rated voltage 16 V DC
Insulation resistance ≥ 100 MΩ

Associated products

Counterparts
☑ KLS 1 ☑ KLS 10

*a printed circuit board layout, components side view

15

1501 09

Designation	Pole Number	PU (Pieces)	MDQ (Pieces)
1501 09	2	500	500

Packaging:

in bulk, in a cardboard box or a plastic bag