

02 2340 ... T06CB A

## Field-attachable Connectors Quicklock



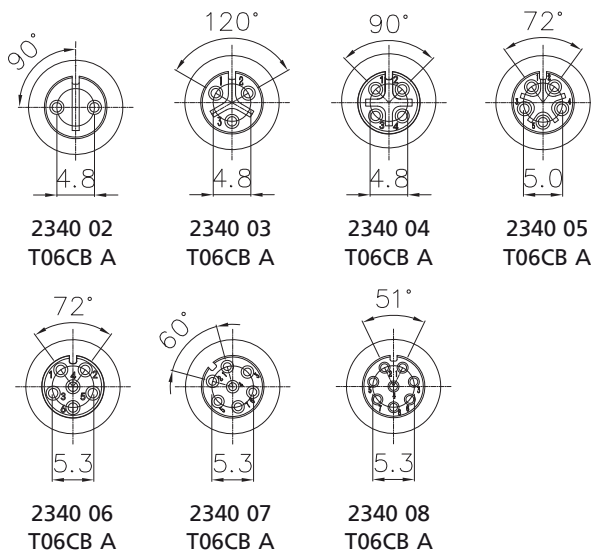
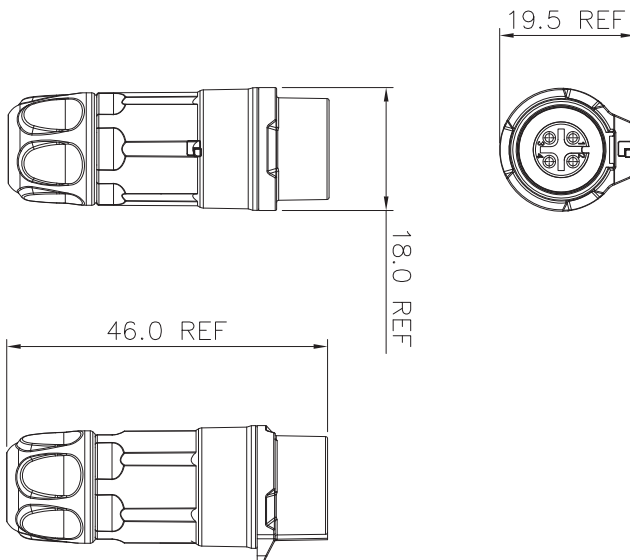
Quicklock socket, IP67, size 12, straight version, with plastic housing and solder terminals

---

Approvals:  

---

02 2340 ... T06CB A



**Environmental conditions**

Temperature range -40 °C/+80 °C

**Materials**

Insulating body PBT, V-0 according to UL94  
Contact bush CuSn, gold-plated  
Housing PBT, V-0 according to UL94<sup>1</sup>  
Cap nut PBT, V-0 according to UL94<sup>1</sup>

<sup>1</sup> outdoor sustainable (F1 according to UL 746C)

**Mechanical data**

Mating cycles 1700  
Insertion force ≤ 80 N  
Withdrawal force ≤ 50 N  
Protection class IP67<sup>1</sup>

<sup>1</sup> only in locked condition with an appropriate counterpart

**Connectable conductors for solder area**

Section 0.34–0.75 mm<sup>2</sup>/AWG 22–20 (2–6 poles)  
0.25–0.34 mm<sup>2</sup>/AWG 24–22 (7–8 poles)  
Cable diameter 4.0–5.5 mm (state of delivery)  
3.0–4.5 mm (with accessory 9923 SL4,5)  
5.0–6.0 mm (with accessory 9923 SL6)

**Electrical data (at T<sub>amb</sub> 20 °C)**

Contact resistance ≤ 5 mΩ (2–6 poles)  
≤ 10 mΩ (7–8 poles)  
Rated current 5 A (2–6 poles)  
3 A (7–8 poles)  
Rated voltage 125 V AC/DC (2–6 poles)  
100 V AC/DC (7–8 poles)  
Rated impulse voltage 1500 V AC (2–6 poles)  
1000 V AC (7–8 poles)  
Creepage distance ≥ 1,5 mm  
Clearance ≥ 0,5 mm  
Insulation resistance > 500 MΩ

02

2340 ... T06CB A

---

**Associated products**

Counterparts

[↗ 2350 ... T06CB T](#)

Accessories

[↗ 9923 SL4,5](#)

[↗ 9923 SL6](#)

---

02 2340 ... T06CB A

Designation	Pole Number	PU (Pieces)	MDQ (Pieces)
2340 02 T06CB A	2	15	60
2340 03 T06CB A	3	15	60
2340 04 T06CB A	4	15	60
2340 05 T06CB A	5	15	60
2340 06 T06CB A	6	15	60
2340 07 T06CB A	7	15	60
2340 08 T06CB A	8	15	60

**Packaging:**

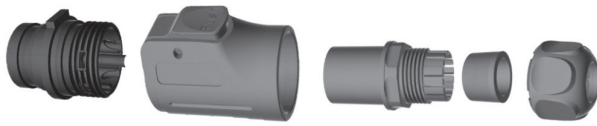
in individual plastic bags, in a cardboard box

# Assembly Instructions

## Field-attachable Quicklock Connectors

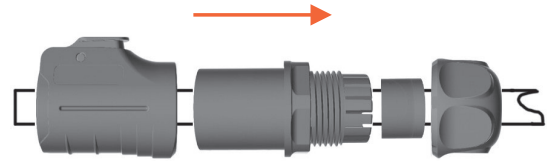


**1**



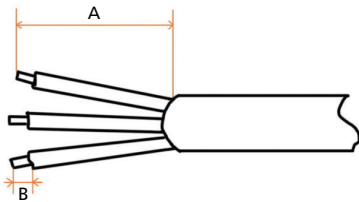
Disassemble all parts.

**2**



Slide all parts over the cable.

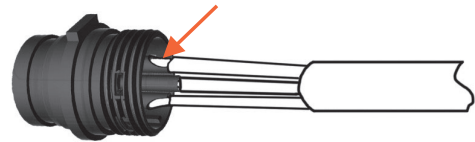
**3**



Dismantle the cable and pre-tin the tip.

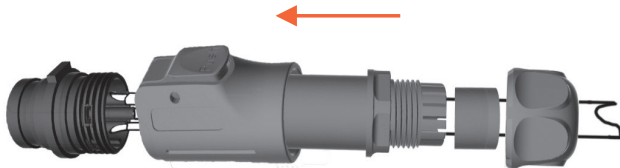
Design size 12	A 15 mm	B 2.5 mm
Design size 16	A 18 mm	B 3.5 mm
Design size 20	A 25 mm	B 4.0 mm
Design size 28	A 40 mm	B 5.0 mm

**4**



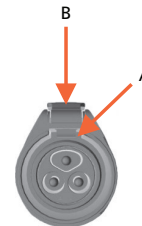
Pre-tin the contact points and solder the cable ends on the contact points.

**5**



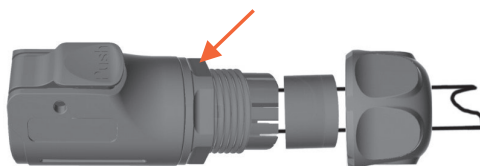
Put all the parts back together.

**6**



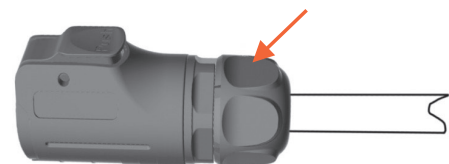
Note the peg (A) and press the latch (B) to properly insert the contact carrier into the housing.

**7**



Screw the interior sleeve fully into the housing to ensure a secure sealing.

**8**



Tighten the cap nut properly to ensure a secure sealing and strain relief.